

ACPMGM-050 Series Synchronous Gearmotors



FEATURES

- AC Synchronous Gearmotors
- Designed for High-Volume Applications
- Up to 416 oz-in. of Torque
- 7 Watt
- 60 Hz
- 50mm Motor Body Diameter
- Custom Versions are Available for OEM Applications

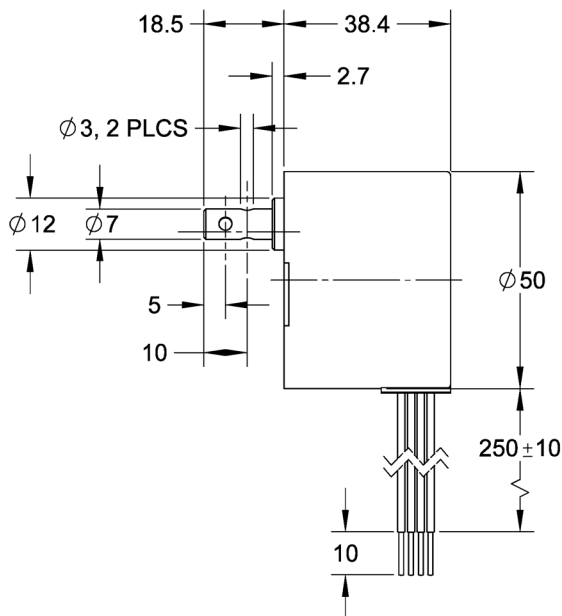


DESCRIPTION

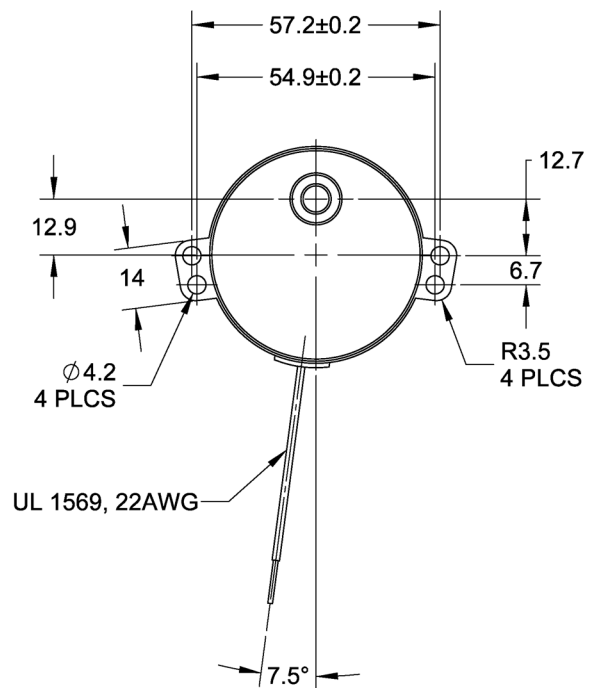
Anaheim Automation's ACPMGM-050 Series AC Gearmotors come in a variety of input voltages and rated torques/speeds. Anaheim Automation's ACPMGM-050 AC Synchronous Gearmotors are ideal for applications that require a constant speed while connecting to the AC power line voltage. Custom options for the Single Phase AC motor line include optimizing the maximum speed, torque, current, voltage, cabling, wiring, connectors, and shaft modifications.

Note: Capacitor IS included. View Specifications chart below on next page for necessary capacitor.

DIMENSIONS



All units are in (mm)



L010511

SPECIFICATIONS

Model #	Input Voltage (VAC)	Motor Speed (RPM)	Rated Torque (oz-in)	Capacitor	
				(μ F)	Rated Voltage (VAC)
ACPMGM-050-038-110-001	110	1.2	416	0.56	230 or Above
ACPMGM-050-038-110-002	110	2	347	0.56	230 or Above
ACPMGM-050-038-110-003	110	3	292	0.56	230 or Above
ACPMGM-050-038-110-004	110	4	250	0.56	230 or Above
ACPMGM-050-038-110-005	110	4.8	208	0.56	230 or Above
ACPMGM-050-038-110-006	110	6	134	0.56	230 or Above
ACPMGM-050-038-110-008	110	8	104	0.56	230 or Above
ACPMGM-050-038-110-010	110	10	86	0.56	230 or Above
ACPMGM-050-038-110-015	110	15	64	0.56	230 or Above
ACPMGM-050-038-110-020	110	20	49	0.56	230 or Above
ACPMGM-050-038-110-026	110	26.7	42	0.56	230 or Above
ACPMGM-050-038-110-034	110	34	28	0.56	230 or Above
ACPMGM-050-038-110-040	110	40	24	0.56	230 or Above
ACPMGM-050-038-110-050	110	50	19	0.56	230 or Above
ACPMGM-050-038-110-060	110	60	16	0.56	230 or Above
ACPMGM-050-038-110-080	110	80	11	0.56	230 or Above
ACPMGM-050-038-110-120	110	120	7	0.56	230 or Above
ACPMGM-050-038-110-180	110	180	5	0.56	230 or Above
ACPMGM-050-038-220-001	220	1.2	416	0.15	430 or Above
ACPMGM-050-038-220-002	220	2	347	0.15	430 or Above
ACPMGM-050-038-220-003	220	3	292	0.15	430 or Above
ACPMGM-050-038-220-004	220	4	250	0.15	430 or Above
ACPMGM-050-038-220-005	220	4.8	208	0.15	430 or Above
ACPMGM-050-038-220-006	220	6	134	0.15	430 or Above
ACPMGM-050-038-220-008	220	8	104	0.15	430 or Above
ACPMGM-050-038-220-010	220	10	86	0.15	430 or Above
ACPMGM-050-038-220-015	220	15	64	0.15	430 or Above
ACPMGM-050-038-220-020	220	20	49	0.15	430 or Above
ACPMGM-050-038-220-026	220	26.7	42	0.15	430 or Above
ACPMGM-050-038-220-034	220	34	28	0.15	430 or Above
ACPMGM-050-038-220-040	220	40	24	0.15	430 or Above
ACPMGM-050-038-220-050	220	50	19	0.15	430 or Above
ACPMGM-050-038-220-060	220	60	16	0.15	430 or Above
ACPMGM-050-038-220-080	220	80	11	0.15	430 or Above
ACPMGM-050-038-220-120	220	120	7	0.15	430 or Above
ACPMGM-050-038-220-180	220	180	5	0.15	430 or Above

ADDITIONAL INFO

Noise Level:	45 dB	Phase:	Single-Phase
Frequency:	60Hz	Temperature Rise:	60°C
Rotation:	Bidirectional		

