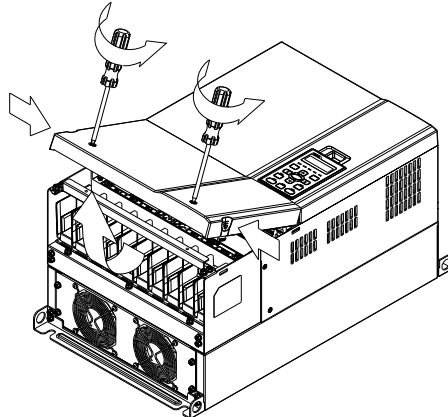


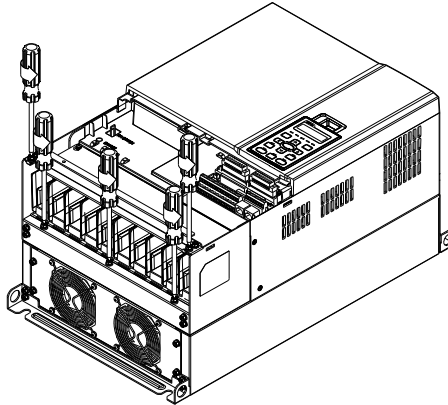
■ Installation of conduit box

Frame D

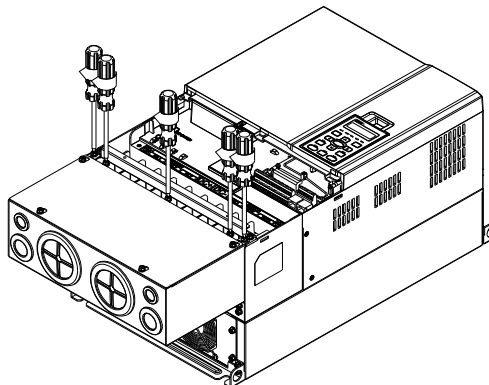
1. Loosen the cover screws and press the tabs on each side of the cover to remove the cover, as shown in the following figure. Screw torque: 10~12kg-cm (8.66~10.39lb-in)



2. Remove the 5 screws shown in the following figure. Screw torque: 24~26kg-cm (20.8~22.6lb-in).



3. Install the conduit box by fasten the 5 screws shown in the following figure. Screw torque: 24~26kg-cm (20.8~22.6lb-in).



4. Fasten the 2 screws shown in the following figure. Screw torque: 10~12kg-cm (8.66~10.39lb-in).

