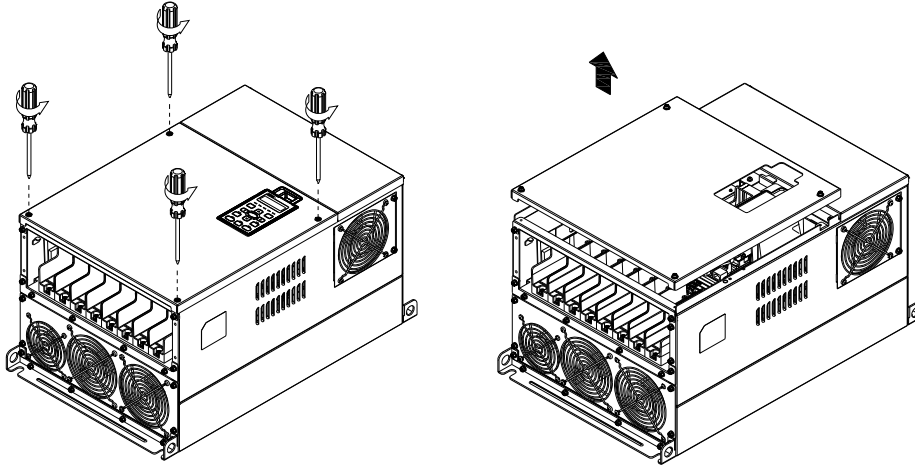
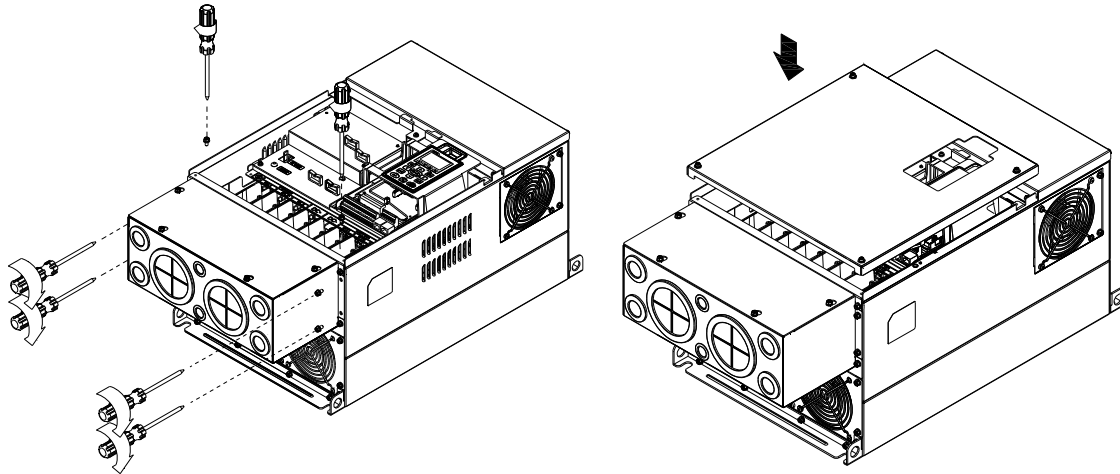


Frame E

1. Loosen the 4 cover screws and lift the cover; Screw torque: 12~ 15 kg-cm (10.4~13lb-in).



2. Fasten the 6 screws shown in the following figure and place the cover back to the original position. Screw torque: 25~30kg-cm (20.8~30lb-in)



3. Fasten the 4 screws shown in the following figure. Screw torque:12~15kg-cm (10.4~13lb-in)

