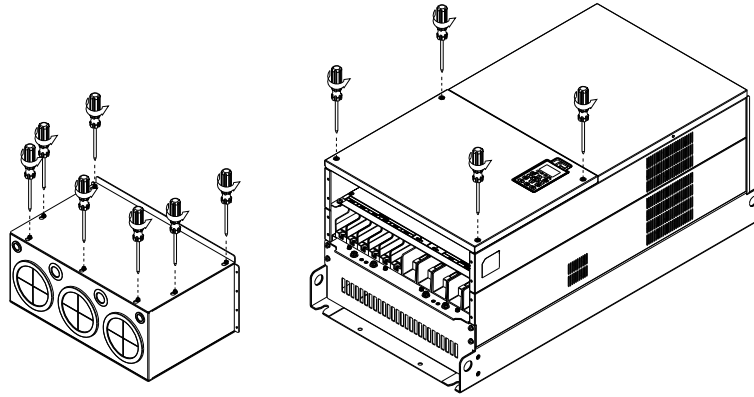
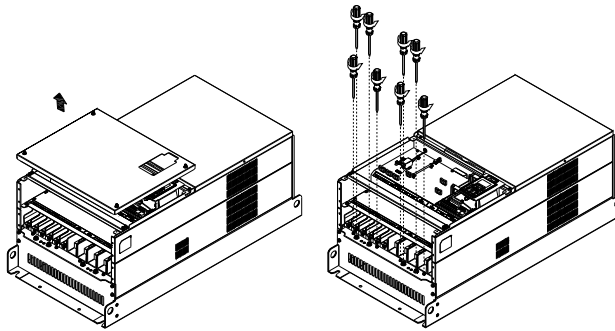


Frame G

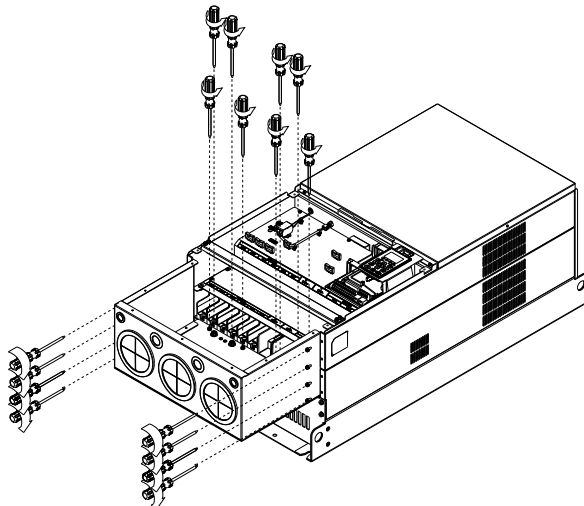
1. On the conduit box, loosen 7 of the cover screws and remove the cover. On the drive, loosen 4 of the cover screws and press the tabs on each side of the cover to remove the cover, as shown in the following figure. Screw torque: 12~15kg-cm (10.4~13lb-in).



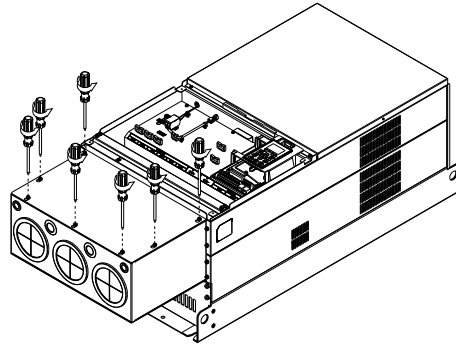
2. Remove the top cover and loosen the screws. Screw torque: 12~15kg-cm (10.4~13lb-in).



3. Install the conduit box by fastening all the screws shown in the following figure. Screw torque: 25~30kg-cm (20.8~30lb-in); Screw torque: 12~15kg-cm (10.4~13lb-in)



4. Fasten all the screws. Screw torque: 25~30kg-cm (20.8~30lb-in).



5. Place the cover back to the top and fasten the screws (as shown in the figure).
Screw torque: 12~15kg-cm (10.4~13lb-in).

