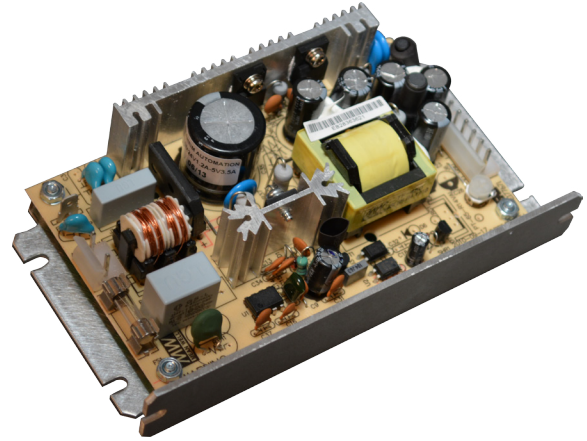


PSAM 65W Power Supply

FEATURES

- **Input Voltage: 90-264VAC**
- **Output Voltage: 5V-24V, 24V, 48V**
- **Peak Current: 1.2A to 3.5A**
- **Power: 65W**
- **Low Cost, High Reliability**
- **High Efficiency, Low Working Temperature**
- **Built in EMI Filter, Low Ripple Noise**
- **100% Full Load Burn-In Test**
- **Short Circuit/Over Voltage/Overload Protection**
- **Compact Size, Light Weight**
- **Power Supply Includes Cables With 24" flying leads**



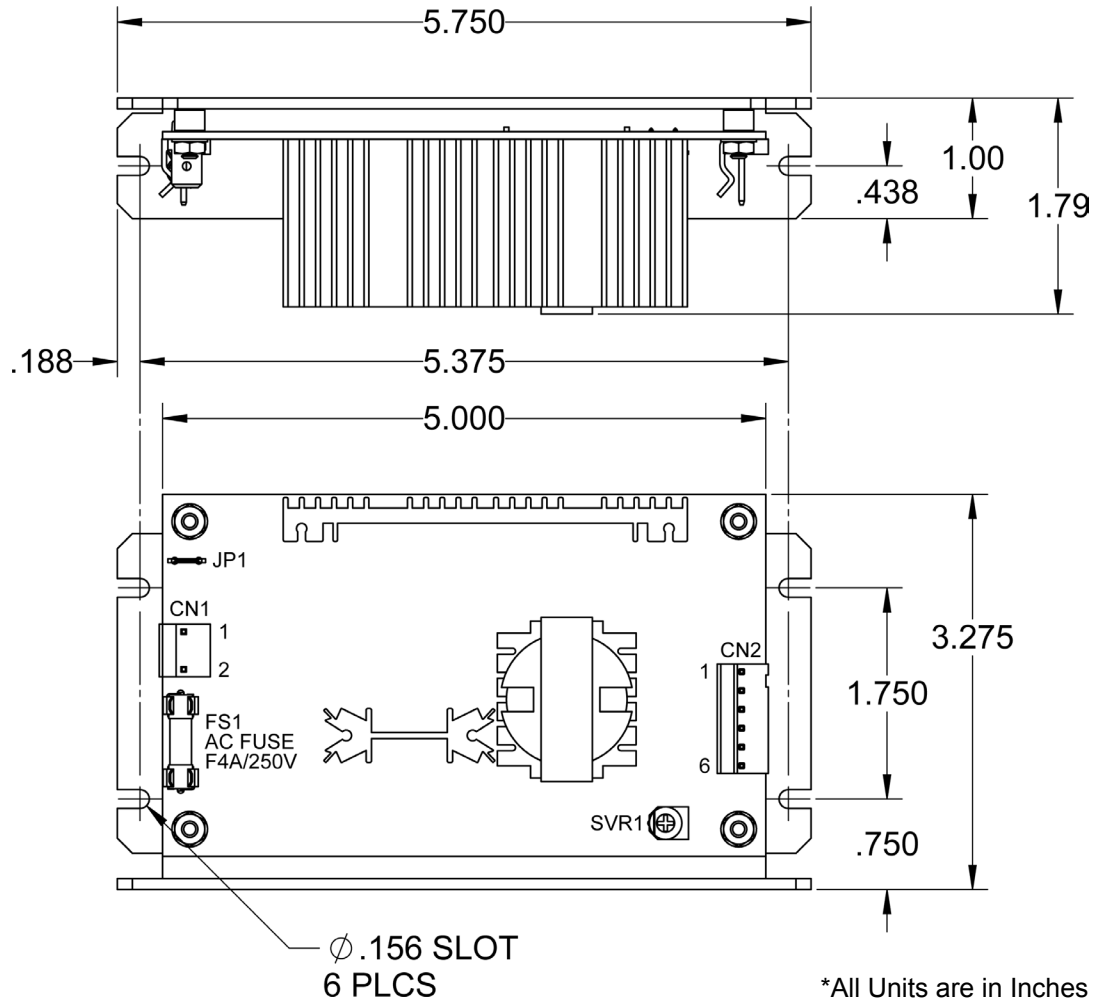
DESCRIPTION

The PSAM65W power supply has dual outputs with power capabilities of 45 watts. With an adjustable +5V out at 3.2A and a +24V out at 1.2A this power supply is efficient to run Anaheim Automation lines of low current microsteppers and programmable controllers. With a compact size of 5.75" x 3.25" x 1.34" and dual mounting position "L Bracket", the PSAM65W can be mounted just about anywhere.

SPECIFICATIONS

INPUT						
Voltage Range (VAC)	Voltage Range (VDC)	Frequency Range (Hz)	Efficiency	AC Current	Inrush Current (Cold Start)	Leakage Current
90~264	127~370	47~440	80%	1.2A/115VAC .72A/230VAC	40A/230VAC	<.75mA/240VAC

OUTPUT											
Part Number	DC Voltage	Rated Current (A)	Current Range (A)	Rated Power (W)	Ripple & Noise	Voltage Adj. Range (V)	Voltage Tolerance	Line Regulation	Load Regulation	Setup, Rise Time	Hold Time
PSAM24V1.2A-5V3.5A	24V	1.2	.2~1.8	40	150mVp-p	4.75~5.5	±7.0%	±2.0%	±4.0%	800ms, 20ms at full load	60ms at full load
PSAM24V2.7A	24V	2.7	0~3	64.8	100mVp-p	22.8~26.4	±2.0%	±1.0%	±2.0%	800ms, 20ms at full load	60ms at full load
PSAM48V1.3A	48V	1.35	0~1.35	64.8	100mVp-p	45.6~52.8	±2.0%	±1.0%	±2.0%	800ms, 20ms at full load	60ms at full load

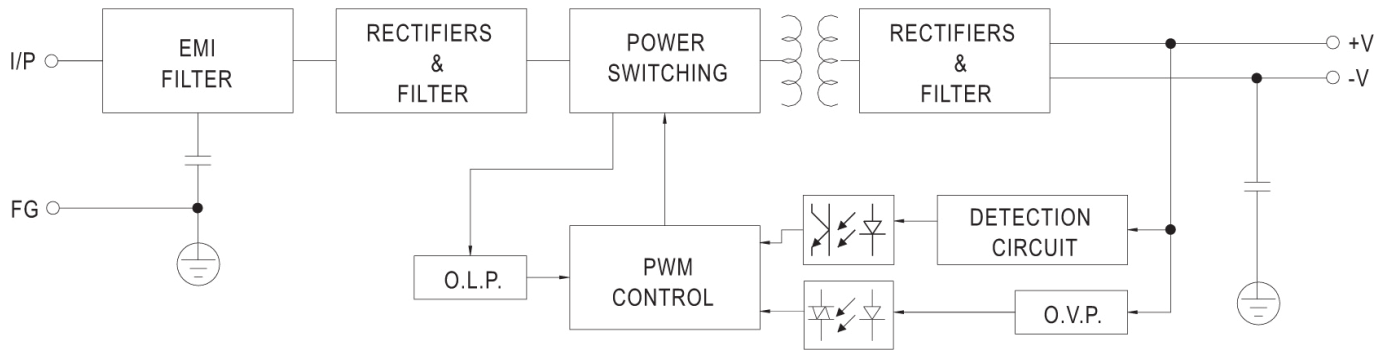


AC Input Connector (CN1): Molex 5277-02 or Equivalent				
Pin No.	Assignment	Mating Housing	Terminal	Included Cable
1	AC/N	Molex 5195 or Equivalent	Molex 5194 or Equivalent	White
2	AC/L			Black

DC Output Connector (CN2): Molex 5273-06 or Equivalent				
Pin No.	Assignment	Mating Housing	Terminal	Included Cable
1,2,3	+V	Molex 5195 or Equivalent	Molex 5194 or Equivalent	Yellow
4,5,6	-V			Black

⚠ HS1, HS2 CAN NOT BE SHORTED

BLOCK DIAGRAM



DERATING GRAPHS

