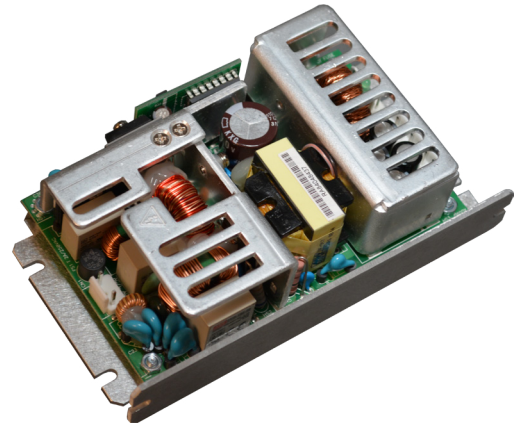


# PSAM 125W Power Supply

FEATURES

- **Low Cost, High Reliability**
- **High Efficiency, Low Working Temperature**
- **Built-in active PFC function**
- **Built-in remote sense function**
- **125W with 15CFM FAN**
- **100% Full Load Burn-In Test**
- **Short Circuit/Over Voltage/Overload Protection**
- **Compact Size, Light Weight**
- **Power Supply Includes Cables With 24" flying leads**



DESCRIPTION

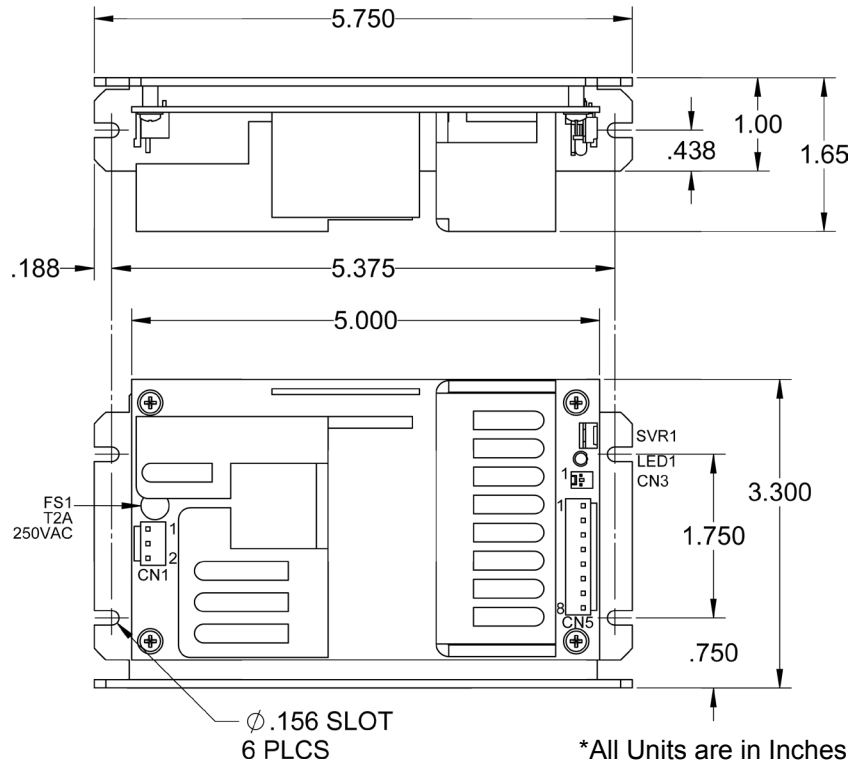
The PSAM 125W power supplies have a single voltage output with a built-in PFC function and remote sense function. With an adjustable output, these power supplies are efficient to run Anaheim Automation's lines of low current microsteppers and programmable controllers. With a compact size of 5" x 3" and dual mounting position "L Bracket", the PSAM 125W power supplies can be mounted just about anywhere.

SPECIFICATIONS

INPUT							
Voltage Range (VAC)	Voltage Range (VDC)	Frequency Range	Power Factor	Efficiency	AC Current	Inrush Current (Cold Start)	Leakage Current
90~264	127~370	47~63 Hz	PF>0.93/230 VAC	84%	1.7A/115VAC .75A/230VAC	24A/230VAC	<2mA/240VAC

OUTPUT											
Part Number	DC Voltage	Rated Current (A)	Current Range (A)	Rated Power (W)	Ripple & Noise	Voltage Adj. Range (V)	Voltage Tolerance	Line Regulation	Load Regulation	Setup, Rise Time	Hold Time
PSAM24V4.2A	24V	4.2	0~4.2	100.8	150mVp-p	22.8~26.2	±1.0%	±0.5%	±1.0%	2000ms, 30ms at full load	24ms at full load
PSAM48V2.1A	48V	2.1	0~2.1	100.8	250mVp-p	45.6~50.4	±1.0%	±0.5%	±1.0%	2000ms, 30ms at full load	24ms at full load

L011040

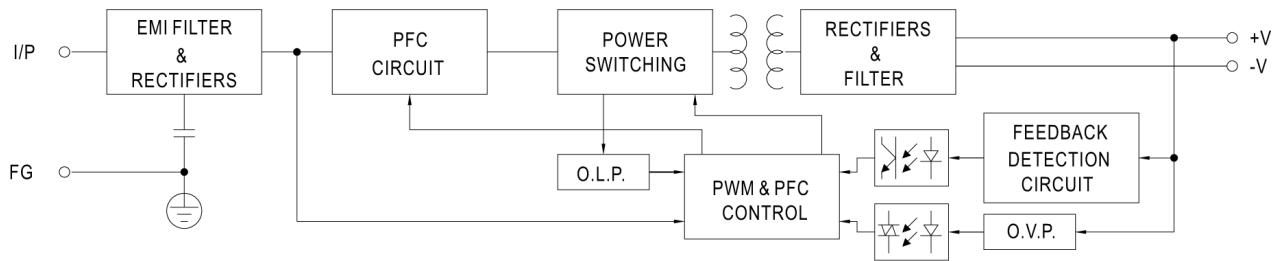


AC Input Connector (CN1): JST B3P-VH or Equivalent				
Pin No.	Assignment	Mating Housing	Terminal	Included Cable
1	AC/L	JST VHR or Equivalent	JST SVH-21T-P1.1 or Equivalent	Black
2	No Pin			White
3	AC/N			

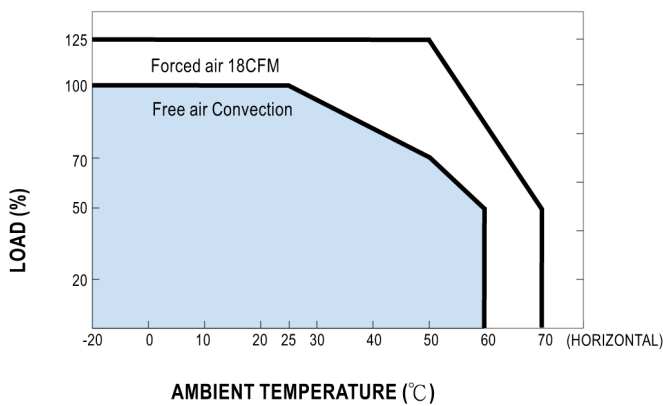
DC Output Connector (CN5): JST B8P-VH or Equivalent				
Pin No.	Assignment	Mating Housing	Terminal	Included Cable
1-4	-V	JST VHR or Equivalent	JST SVH-21T-P1.1 or Equivalent	Black
5-8	+V			Yellow

AC Input Connector (CN3): MOLEX 5045-02 or Equivalent				
Pin No.	Assignment	Mating Housing	Terminal	Included Cable
1	RS+	MOLEX 5051 or Equivalent	MOLEX 4809 or Equivalent	
2	RS-			

**⚠️ HS1, HS2 CAN NOT BE SHORTED**



Derating Curve



Output Derating VS Input Voltage

