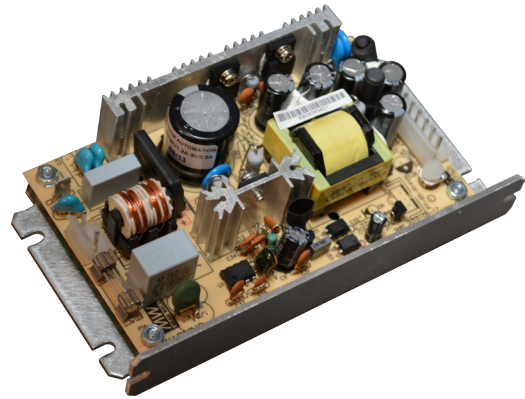


PSAM 200W Power Supply

FEATURES

- **Universal AC input / Full range**
- **Built-in active PFC function**
- **Built-in remote sense function**
- **High Efficiency up to 90%**
- **PWM control and regulated**
- **Short Circuit/Over Voltage/Overload Protection**
- **Compact Size, Light Weight**
- **Power Supply Includes Cables With 24" flying leads**



DESCRIPTION

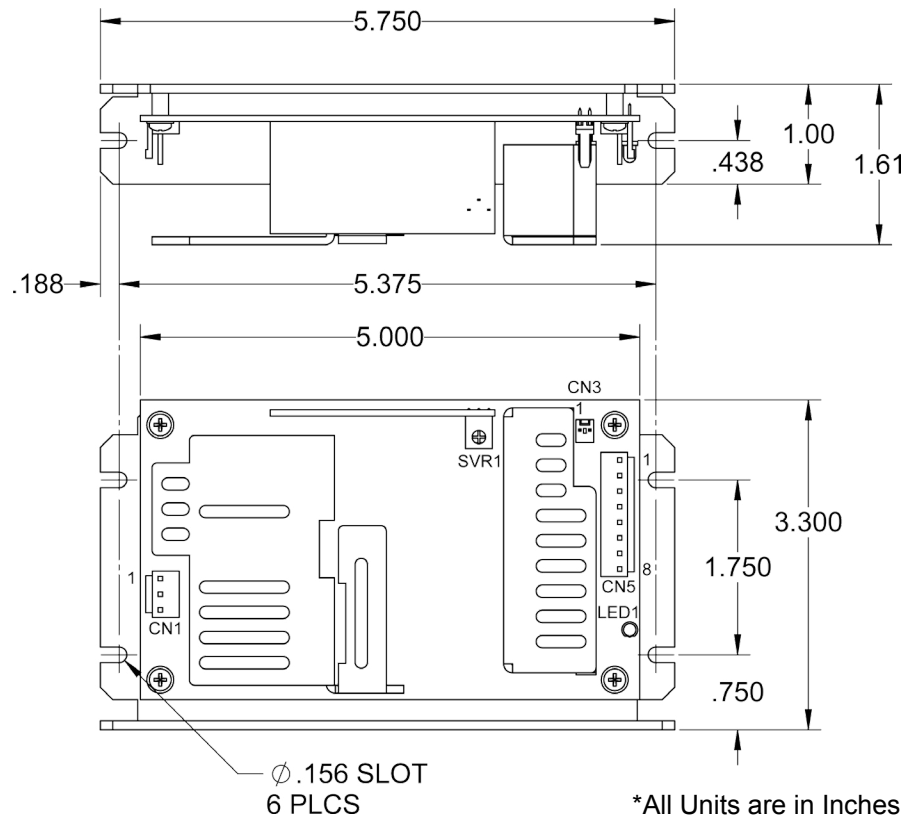
The PSAM 200W power supplies have a single voltage output with a built-in PFC function and remote sense function. With an adjustable output, these power supplies are efficient to run Anaheim Automation's lines of low current microsteppers and programmable controllers. With a compact size of 5" x 3" and dual mounting position "L Bracket", the PSAM 200W power supplies can be mounted just about anywhere.

SPECIFICATIONS

INPUT							
Voltage Range (VAC)	Voltage Range (VDC)	Frequency Range	Power Factor	Efficiency	AC Current	Inrush Current (Cold Start)	Leakage Current
90~264	127~370	47~63 Hz	PF>0.93/230 VAC	90%	2.5A/115VAC 1.2A/230VAC	70A/230VAC	<2mA/240VAC

OUTPUT											
Part Number	DC Voltage	Rated Current (A)	Current Range (A)	Rated Power (W)	Ripple & Noise	Voltage Adj. Range (V)	Voltage Tolerance	Line Regulation	Load Regulation	Setup, Rise Time	Hold Time
PSAM24V8.3A	24V	8.3	0~6.25	150	150mVp-p	21.6~26.4	±2.0%	±0.5%	±1.0%	2500ms, 60ms at full load	11ms at full load
PSAM48V4.2A	48V	4.167	0~3.13	150.24	250mVp-p	43.2~52.8	±2.0%	±0.5%	±1.0%	2500ms, 60ms at full load	11ms at full load

L011041



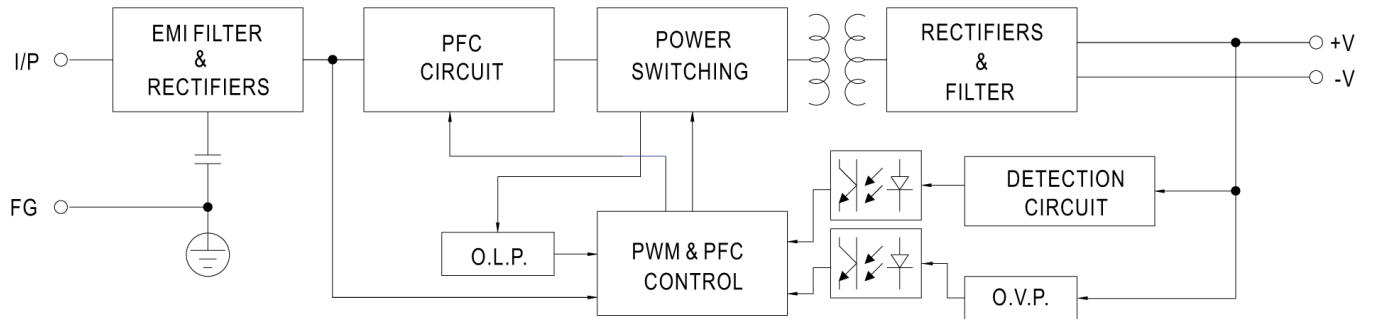
AC Input Connector (CN1): JST B3P-VH or Equivalent				
Pin No.	Assignment	Mating Housing	Terminal	Included Cable
1	AC/L	JST VHR or Equivalent	JST SVH-21T-P1.1 or Equivalent	Black
2	No Pin			White
3	AC/N			

DC Output Connector (CN5): JST B8P-VH or Equivalent				
Pin No.	Assignment	Mating Housing	Terminal	Included Cable
1-4	+V	JST VHR or Equivalent	JST SVH-21T-P1.1 or Equivalent	Yellow
5-8	-V			Black

AC Input Connector (CN3): MOLEX 5045-02 or Equivalent				
Pin No.	Assignment	Mating Housing	Terminal	Included Cable
1	RS-	MOLEX 5051 or Equivalent	MOLEX 4809 or Equivalent	
2	RS+			

⚠ HS1, HS2 CAN NOT BE SHORTED

BLOCK DIAGRAM



DERATING GRAPHS

