

MDC010 - 050101 Brushless Speed Controllers



FEATURES

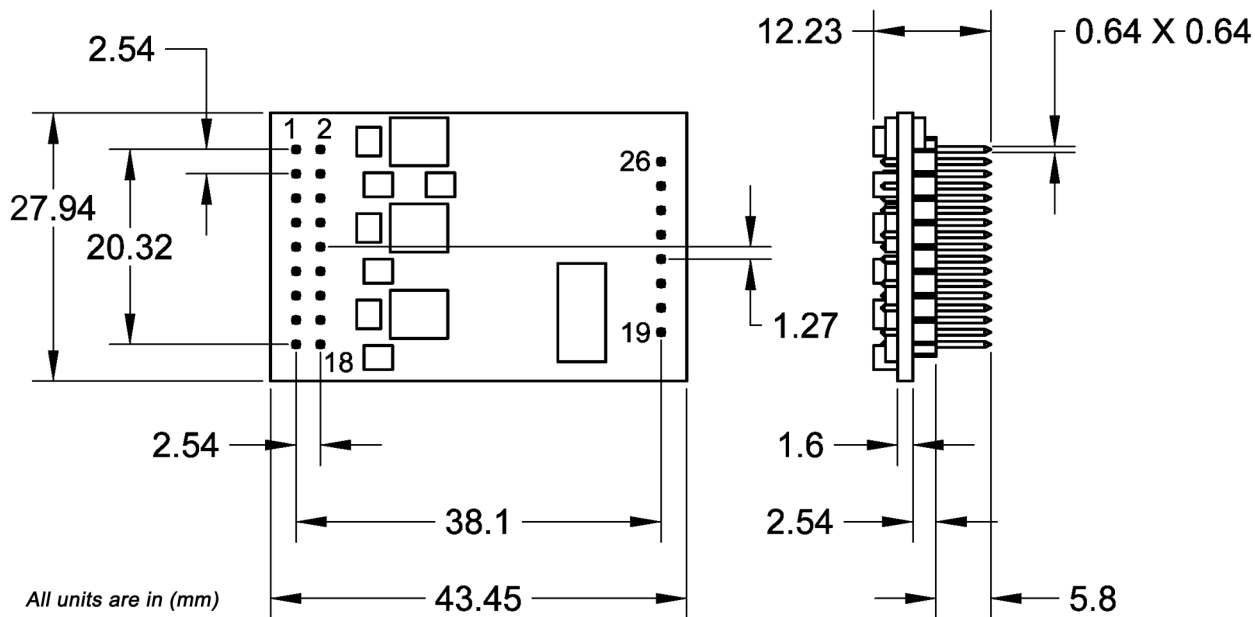
- Digital Closed or Open Loop Speed Controller
- 6 - 50 VDC Voltage Range
- Maximum Speed of 80,000 RPM
- Continuous Output Current of 5A (10A Peak)
- Protection Against Thermal Overload
- Small Open Board Design
- Motor Blockage Protection
- Status Indication
- Easy Connectivity/Integration into Motherboard
- CE Certified and RoHS Compliant



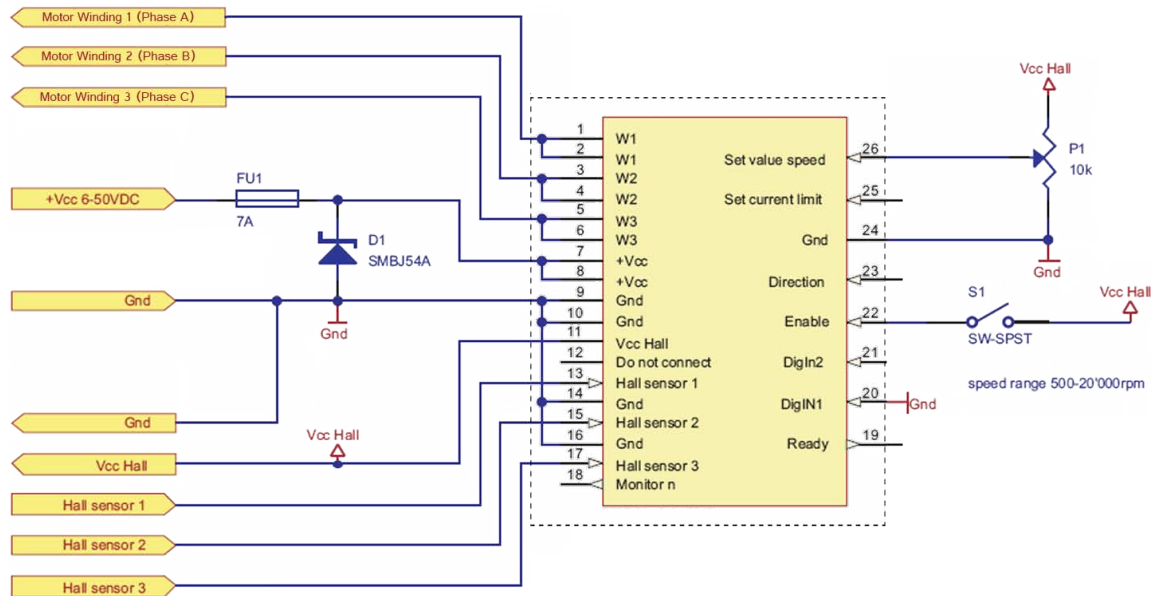
DESCRIPTION

The MDC010-050101 Speed Controller has a very compact design with a high efficiency 1-Quadrant digital output driver which offers a operating voltage of 50VDC, while maintaining a rated output current of a 5A (10A Peak). The controller also offers a large number of inputs and outputs such as the speed monitor, current limiting, speed ranges, direction of rotation, enable, operating status, etc. While offering all these features the MDC010-050101 offers many protective features against overcurrent, undervoltage, and overvoltage, short circuit and thermal overload to ensure the controller runs efficiently and effectively. The MDC010-050101 delivers a maximum speed of 80,000 RPM to the shaft of the Brushless DC Motor. Anaheim Automation also offers an evaluation board for easy and immediate initial start-up and testing, as well as a full line of Brushless DC Motors. Please see User's Guide for complete operating instructions.

DIMENSIONS



L010677



Power Requirements:	6 - 50VDC
Output Current Range:	5.0Amps (Peak) 10.0Amps (Continuous)
Switching Frequency:	46.8kHz
Max Speed (Motor with 1 Pole Pair):	80,000 RPM
Set Value Speed:	Analogue Input (0-5V); Resolution: 1024 Steps
Non-condensating:	20-80%
Operating Temperature:	-10°C to 45°C