

BSCKB1-120081 Brushless Speed Controller

FEATURES

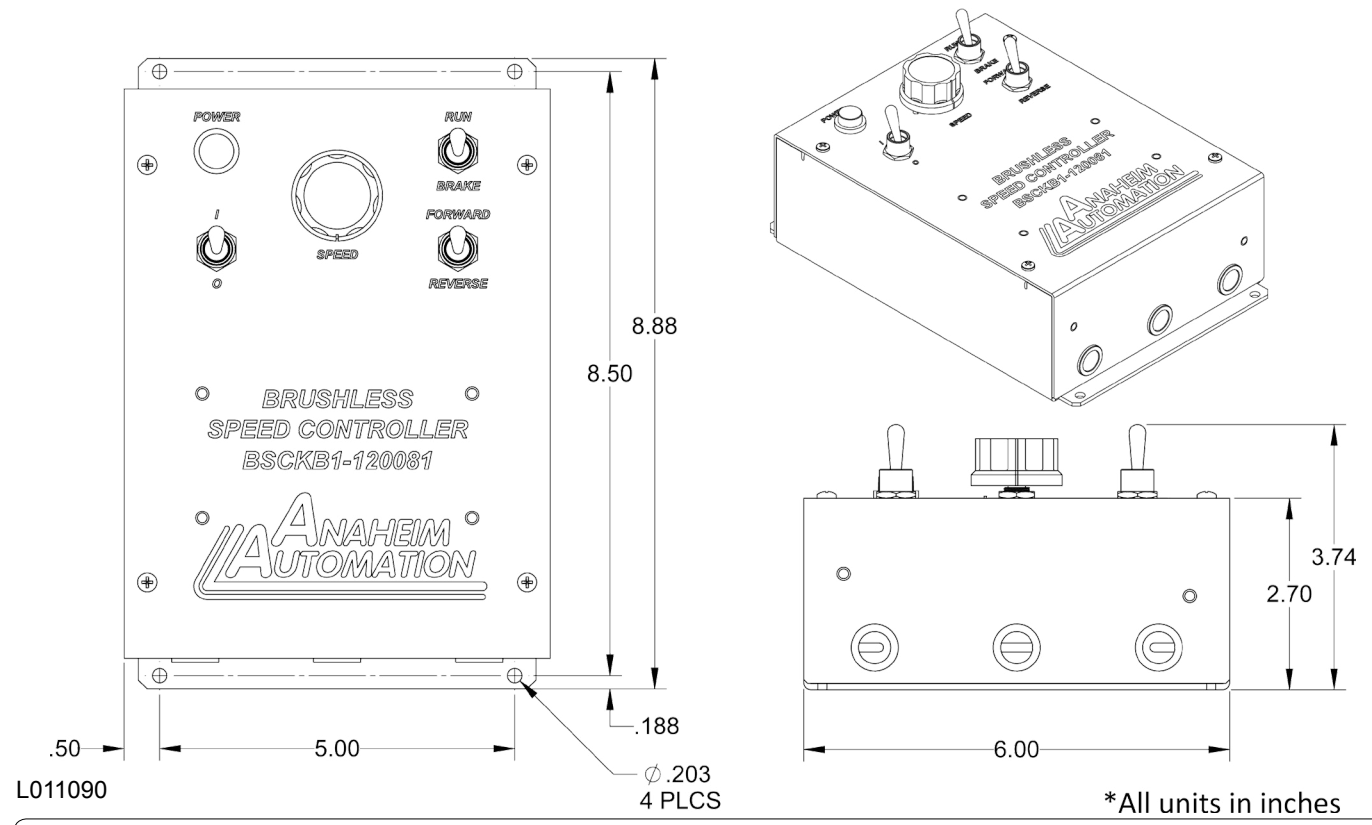
- Maximum Current Limit Setting from 2-8Amps
- Potentiometer Speed Control
- Internal Max and Base Speed Adjustment
- 2-Quadrant Operation
- Hall Sensor Feedback
- Constant Velocity Mode
- Short-Circuit Protection
- Requires 85-135VAC
- Integrated Power, Brake and Direction Switches
- RoHS Compliant



DESCRIPTION

The BSCKB1-120081 is a speed controller that has integrated the MDCKB1-120081 driver, and is designed to drive DC Brushless motors at currents of up to 8A (peak) and 160V. The drive is protected against overcurrent (cycle-by-cycle), hall sensor error, and undervoltage. Included on the driver are internal potentiometers to control the maximum phase current allowed into the motor, the maximum speed of the motor, the base speed of the motor, and closed-loop compensation. In addition, there are integrated power, brake and directional switches, and a speed control potentiometer to adjust the motor speed.

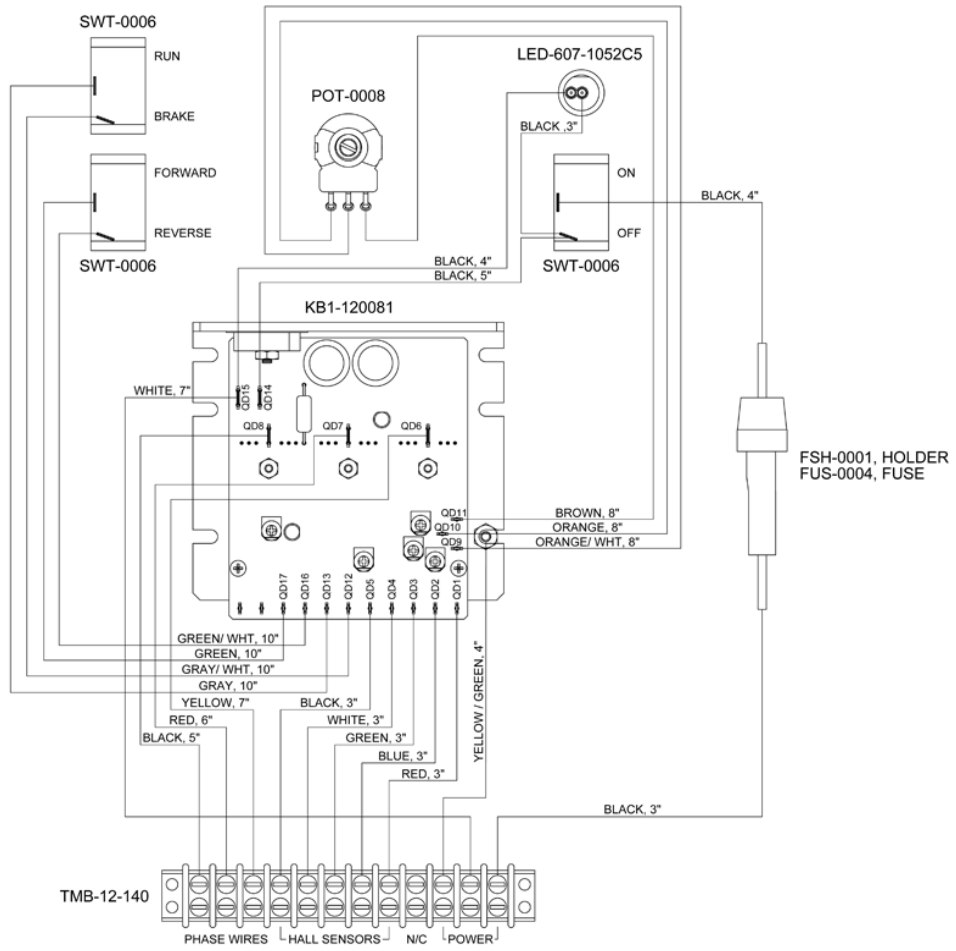
DIMENSIONS



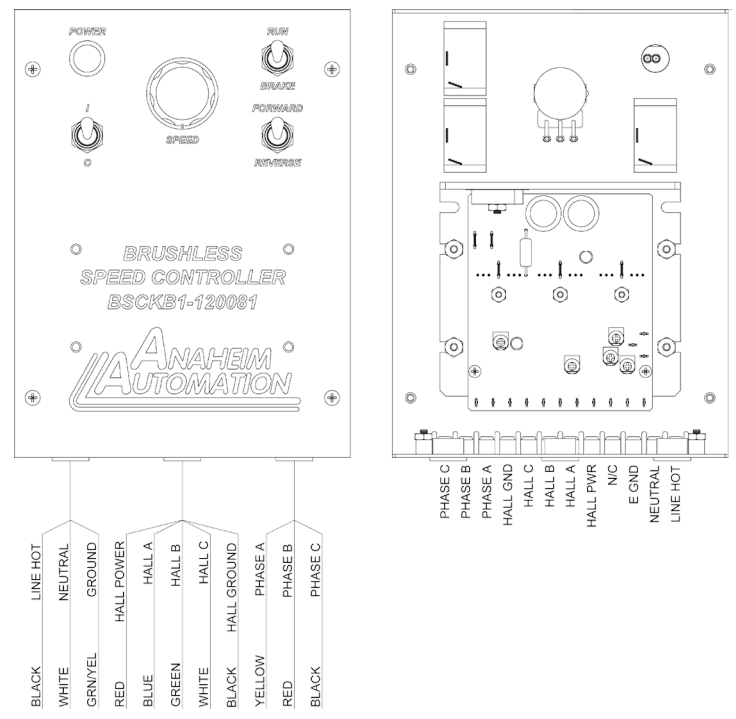
L011090

*All units in inches

WIRING INFORMATION



HOOK UP DIAGRAM



L011090