

BSC151-050301 Brushless Speed Controller

FEATURES

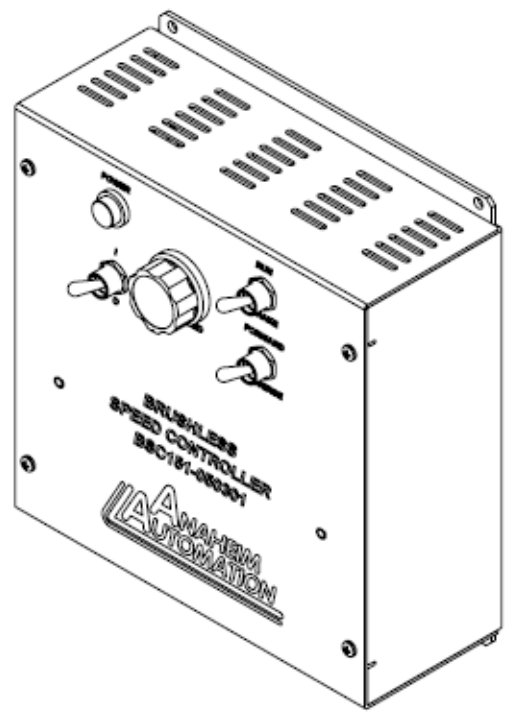
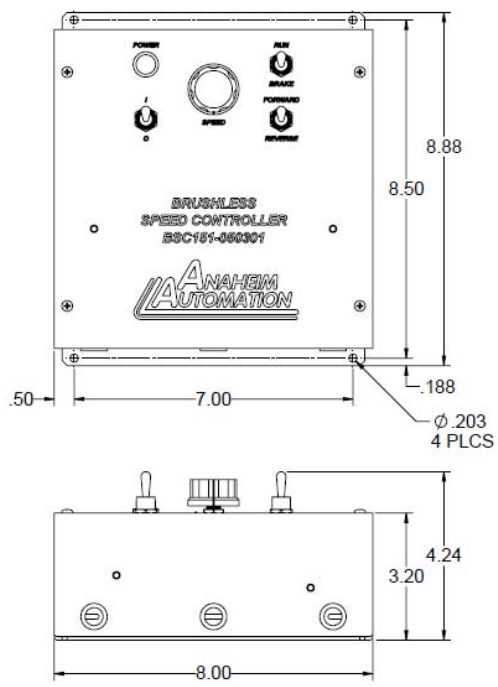
- Maximum Current Limit Setting from 10-30Amps
- Potentiometer Speed Control
- Integrated Power, Brake and Direction Switches
- 2-Quadrant Operation
- Hall Sensor Feedback
- Constant Velocity Mode
- Short-Circuit Protection
- Requires 20-50VDC
- Selectable Ramp Up Times
- RoHS Compliant



DESCRIPTION

The BSC151-050301 is a speed controller that has integrated easy to use user controls and the MDC151-050301 driver, and is designed to drive DC brushless motors at currents of up to 30A (peak) and 50V. Using hall sensor feedback, a constant velocity mode can be achieved. The driver is protected against over current (cycle-by-cycle or latched), hall sensor error and under voltage. When an error occurs, a fault output is turned on to notify the user. Included on the driver is an internal potentiometer to control the maximum phase current allowed into the motor, a closed loop compensation control, and ramp rate controls. In addition, there are integrated control switches for power, direction, Run/Stop, and a speed control potentiometer to adjust the motor speed mounted for easy user interface.

DIMENSIONS

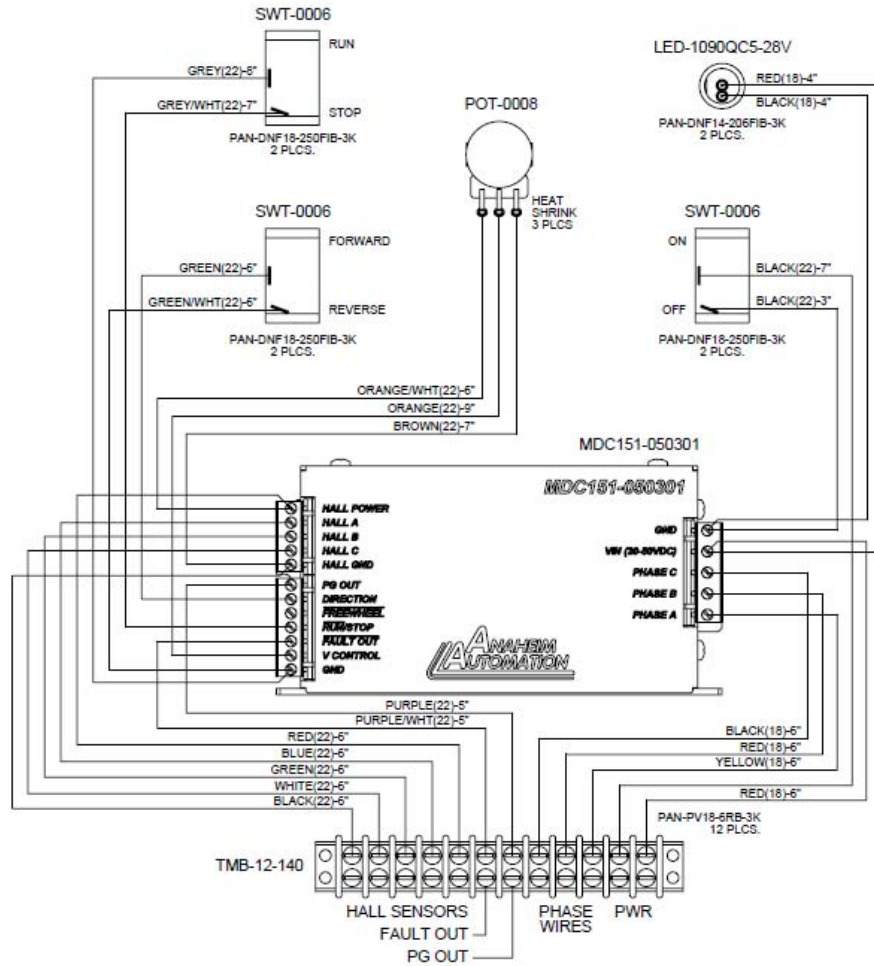


L011137 All units are in inches

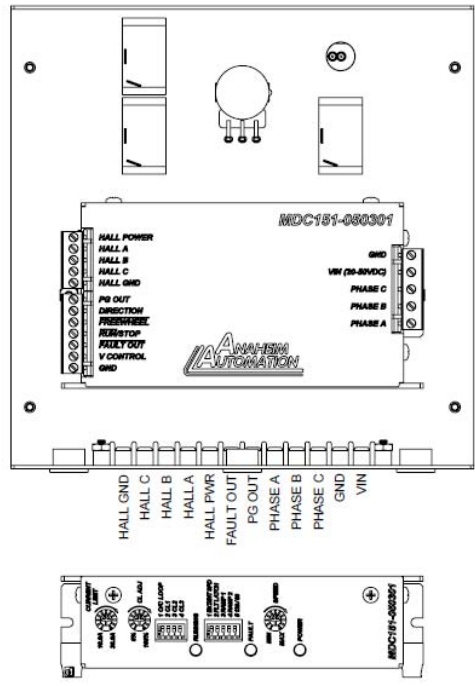
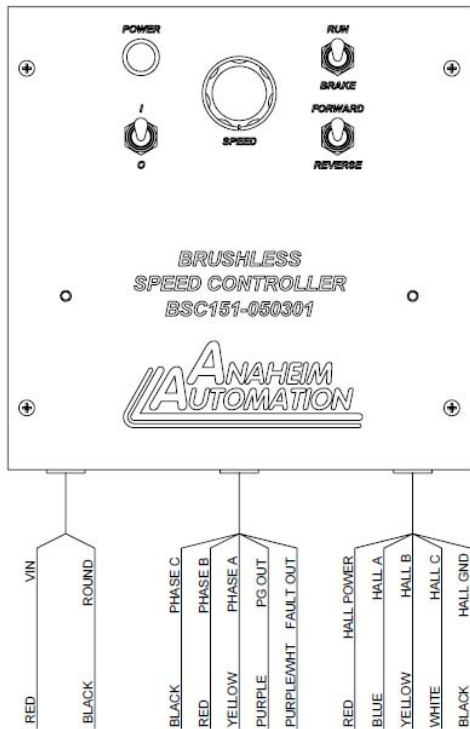
BSC151-050301 Brushless Speed Controller



WIRING INFORMATION



HOOK UP DIAGRAM



L011137