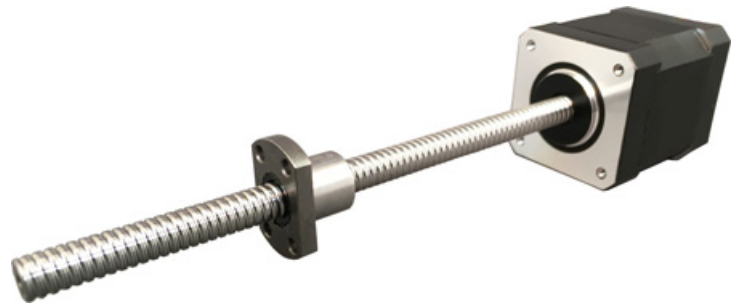


BLAW17 Brushless Linear Actuators



FEATURES

- Rated Power 40W
- Brushless DC Motor
- External Linear with Ball Screw
- No Load Speed 5000 RPM
- Rated Current < 3A
- No Load Current < 0.45A
- Rated Torque 13.5 oz-in
- 2mm Travel Per Revolution

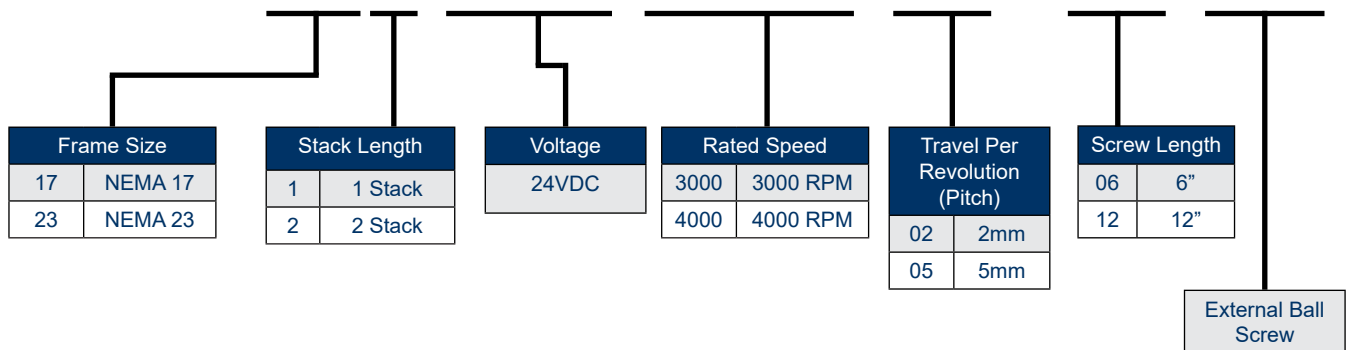


DESCRIPTION

Anaheim Automation's BLAW17 Brushless Ball Screw Linear Actuators are a unique motor with a Ball Screw attached to the lead screw. The BLAW17 Series come in a compact package with a 6" screw extended from the motor. This motor comes in a standard 8-lead wire configuration. These Brushless Ball Screw Linear Actuators are designed to be the most versatile linear positioning motors on the market. These external linear actuators are robust and can be easily configured to solve some of the most difficult application problems. Integration of a lead screw with a motor saves space, eliminates components, and reduces cost. While many standard configurations are available, custom modifications for OEM customers are welcome.

ORDER INFORMATION

BLAW171-24V-4000-02X06-EB



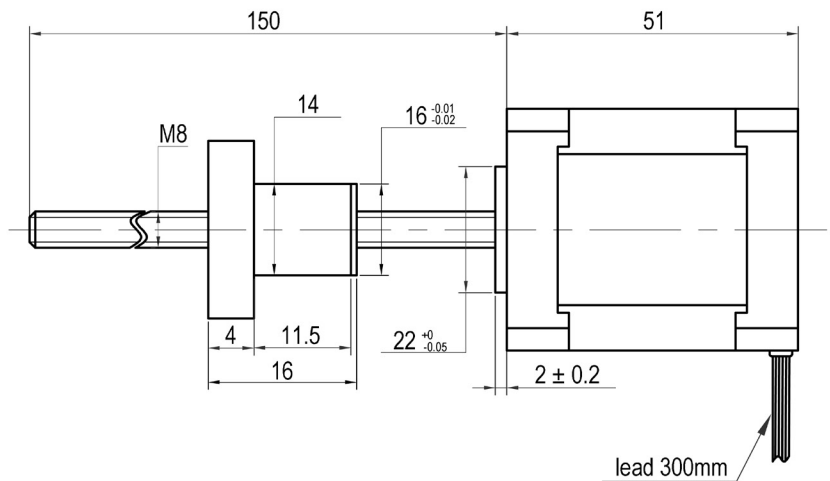
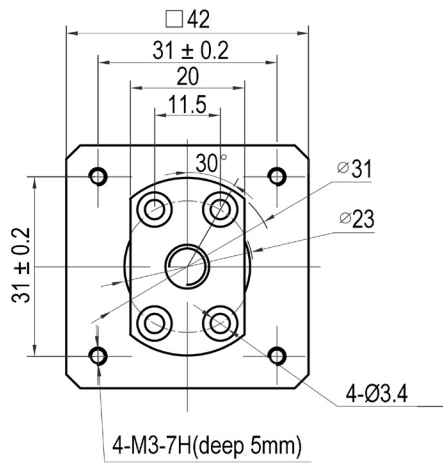
L011704

Motor Specifications

Model Number	Voltage (VDC)	Rated Speed (RPM)	Rated Power (W)	Rated Current (A)	Rated Torque (oz-in)	Resistance (ohms)	Inductance (mH)	Number of Leads	Motor Weight (lbs)	Motor Length "L" (inches)
BLAW171	24	4000	40	3	13.5	1.20	1.00	8	1.05	2

Leadscrew Thread Dimension (mm)

Diameter (mm)	Dynamic Rating Load (Kgf)	Static Rating Load (Kgf)	Lead (mm)
8	222	458	2



Units in mm

Wire Color	Description
Red	Hall Supply
Blue	Hall A
Green	Hall B
White	Hall C
Black	Hall Ground
Yellow	Phase A
Red	Phase B
Black	Phase C

