



XY Stage Application Sheet

Please return via fax or email: (714) 992-0471, info@anaheimautomation.com

Name: _____ Title: _____

Company: _____ Division: _____

Address: _____ M/S: _____

City: _____ State: _____ Zip: _____

E-Mail: _____ Phone: _____ Fax: _____

Current Quantity Requirements: _____

Estimated Annual Requirements: _____

XY Stage Requirements:

Stroke Lengths:

X-Axis _____ mm

Y-Axis _____ mm

Payload: _____ lbs

X-Axis Speed:

Lead: _____ mm/rev

Speed: _____ mm/sec

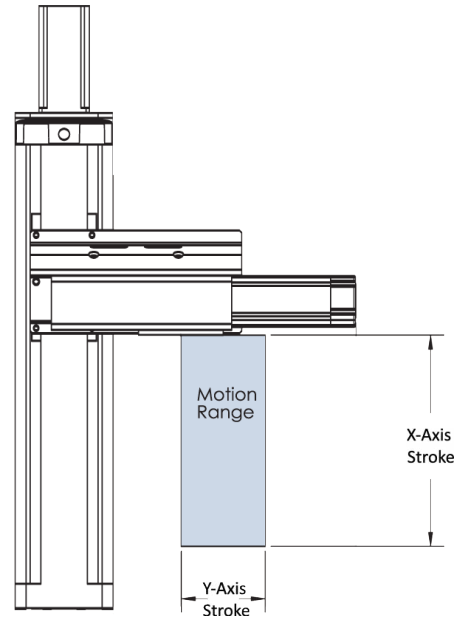
Acceleration: _____ mm/sec²

Y-Axis Speed:

Lead: _____ mm/rev

Speed: _____ mm/sec

Acceleration: _____ mm/sec²



Orientation: Please describe dimensions and mounting direction for the payload:

