

# TBI Motion Ball Splines SLT Series



FEATURES

- 6mm to 50mm Ball Spline Diameters
- Cylindrical Type Ball Splines
- Up to 4,000 mm in Length
- Dynamic Loads up to 4,086 kgf
- Static Loads up to 5,615 kgf
- Precision-Ground Raceways
- Accuracy Grade: Normal, High, and Precision
- Preload: Zero, Slight, and Medium

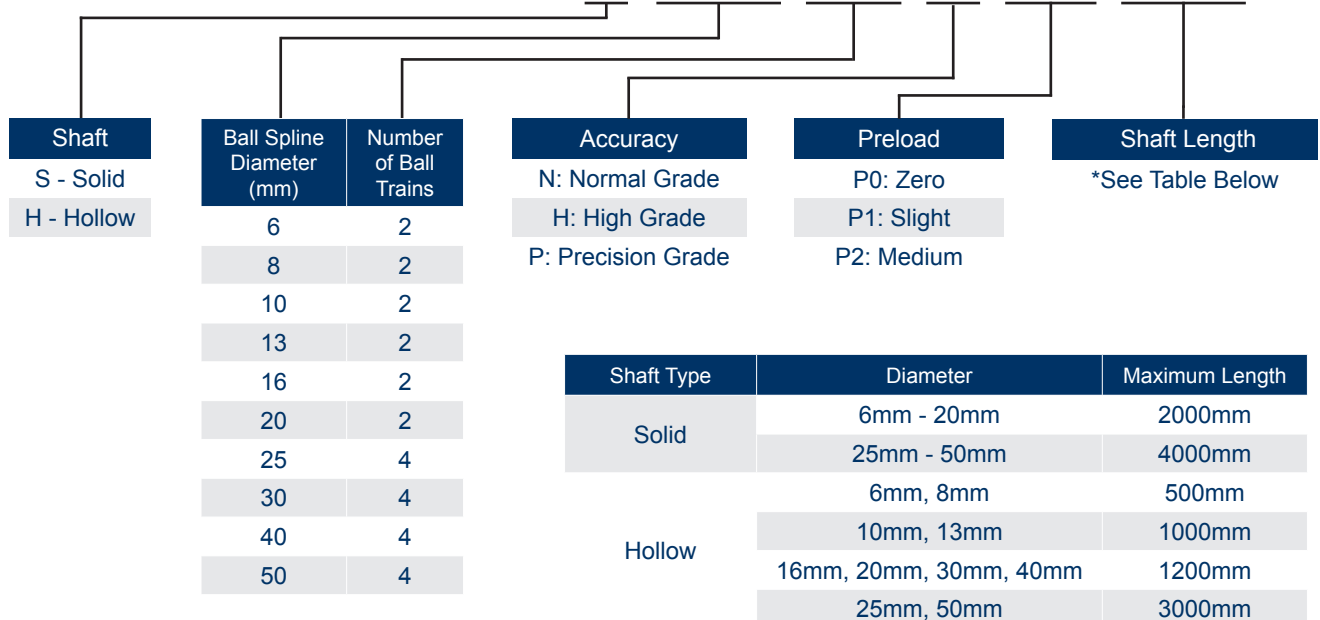


DESCRIPTION

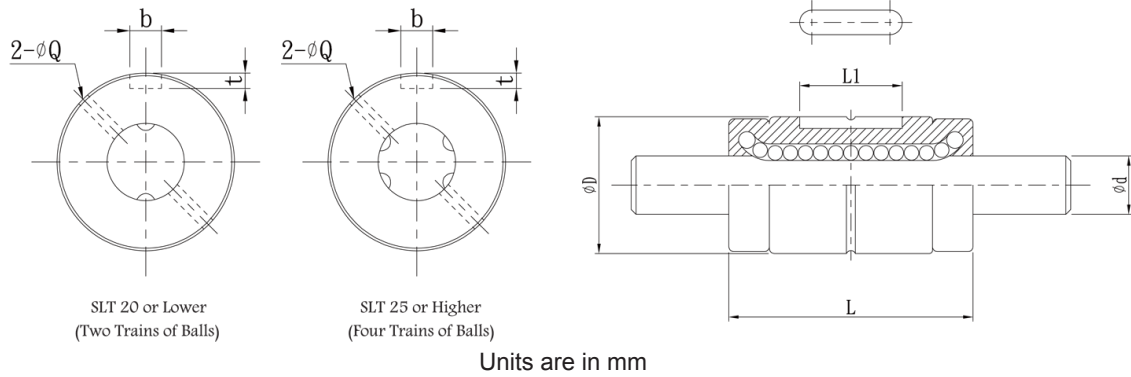
The SLT Cylindrical Type ball splines have a shaft diameter ranging from 6mm to 50mm. The ball spline nuts are designed with recirculating ball tracks which transmit torque linearly along the raceway of the spline shaft. These ball splines are suited for applications which are subject to vibration, impact loads, high precision, or high speed. This assembly provides a dynamic force of 4,086 kgf and a static forces up to 5,615 kgf. The maximum spline shaft length is 4,000mm (diameter dependent). The ends of the shafts can be customized per your drawing. Please contact Anaheim Automation to discuss your specific requirements.

PART NUMBER LAYOUT

## BSP-TM-SLTS-006-T2-N-P1-225



L011218



Model No.	Shaft Dia. d	Nut Dimensions							Mounting Hole				Nut Weight (g)	Shaft Weight (g/m)
		D	L	A	B	F	Q	W	X	Y	Z	n		
BSP-TM-SLT-006-T2	6	14	25	30	8	7.5	1	22	3.4	6.5	4.5	2	14	0.22
BSP-TM-SLT-008-T2	8	16	27	32	8	7.5	1.5	24	3.4	6.5	4.5	2	16	0.39
BSP-TM-SLT-010-T2	10	21	33	42	9	10.5	1.5	32	4.5	8	4	2	37	0.60
BSP-TM-SLT-013-T2	13	24	36	44	9	11	1.5	33	4.5	8	4.5	2	52	1.03
BSP-TM-SLT-016-T2	16	31	50	51	10	18	2	40	4.5	8	6	2	130	1.56
BSP-TM-SLT-020-T2	20	35	56	58	10	18	2	45	5.5	9.5	5.4	2	188	2.44
BSP-TM-SLT-025-T4	25	42	71	65	13	26.5	3	52	5.5	9.5	8	4	285	3.80
BSP-TM-SLT-030-T4	30	47	80	75	13	30	3	60	6.6	11	8	4	395	5.49
BSP-TM-SLT-040-T4	40	64	100	100	18	36	4	82	9	14	12	4	843	9.69
BSP-TM-SLT-050-T4	50	80	125	124	20	46.5	4	102	11	17.5	12	4	1758	15.19

Model No.	Basic Load Rating		Basic Torque Rating		Static Permissible Moment	
	C	C <sub>0</sub>	C <sub>T</sub>	C <sub>0T</sub>	M <sub>A1</sub>	M <sub>A2</sub>
BSP-TM-SLT-006-T2	137	225	0.46	0.76	0.39	3.48
BSP-TM-SLT-008-T2	137	225	0.60	0.99	0.39	3.82
BSP-TM-SLT-010-T2	285	397	1.62	2.25	0.95	8.53
BSP-TM-SLT-013-T2	396	540	2.89	3.94	1.50	12.46
BSP-TM-SLT-016-T2	545	849	4.77	7.43	3.71	26.09
BSP-TM-SLT-020-T2	724	1109	7.90	12.09	5.53	38.00
BSP-TM-SLT-025-T4	1003	1593	21.99	43.01	10.35	68.59
BSP-TM-SLT-030-T4	1160	1960	30.26	62.93	15.68	93.27
BSP-TM-SLT-040-T4	2972	4033	105.37	176.05	36.59	246.34
BSP-TM-SLT-050-T4	4086	5615	179.89	304.35	51.58	428.72