

8

7

6

5

4

3

2

1

F

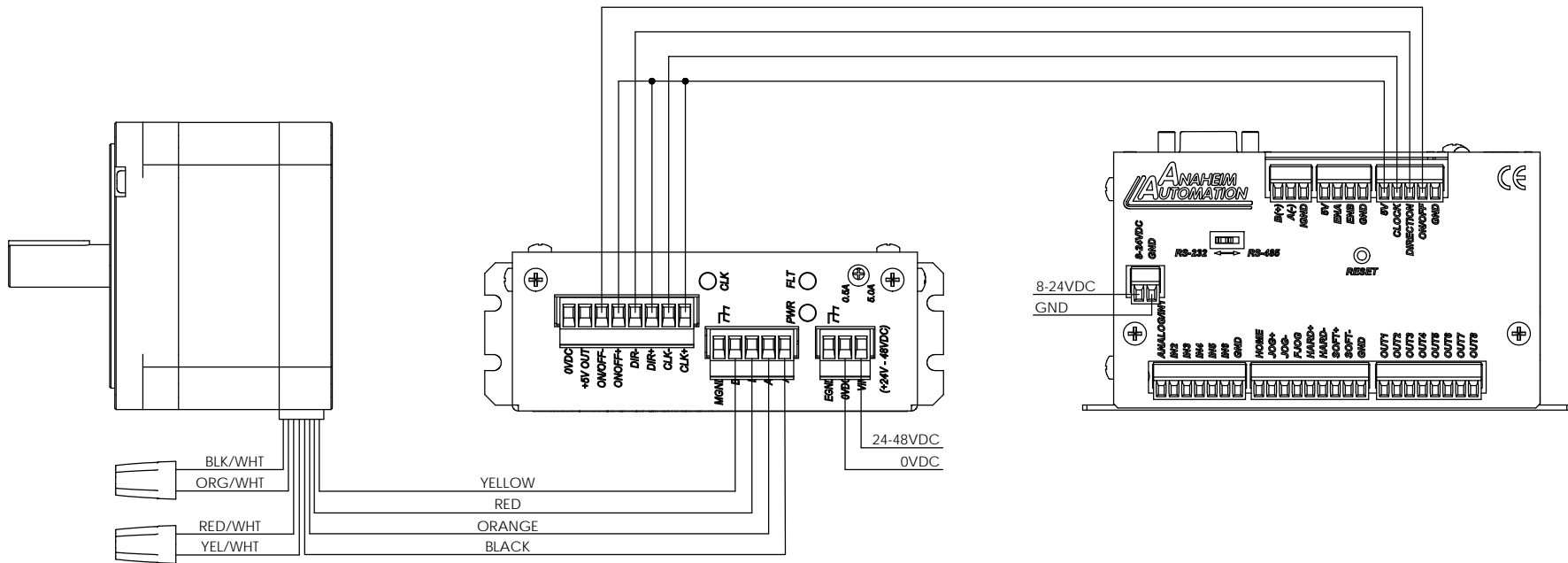
E

D

C

B

A



**PROPRIETARY AND CONFIDENTIAL**  
 THE INFORMATION CONTAINED IN THIS DRAWING IS THE SOLE PROPERTY OF ANAHEIM AUTOMATION INC. ANY REPRODUCTION IN PART OR AS A WHOLE WITHOUT THE WRITTEN PERMISSION OF ANAHEIM AUTOMATION INC. IS PROHIBITED.

<b>ANAHEIM AUTOMATION INC. 910 E. ORANGEFAIR LANE          ANAHEIM, CA 92801 (714) 992-6990</b>		
UNLESS OTHERWISE SPECIFIED:	NAME	DATE
DIMENSIONS ARE IN INCHES	DRAWN	TDR 4-7-09
FRACTIONAL ±	CHECKED	
ANGULAR: MACH ± .50 BEND ±	ENG APPR	
TWO PLACE DECIMAL ± .01	MFG APPR	
THREE PLACE DECIMAL ± .005	D.A.	
INTERPRET GEOMETRIC TOLERANCING PER:	COMMENTS:	
MATERIAL:		
FINISH:		
APPLICATION:	DO NOT SCALE DRAWING	



TITLE:  
**SPEC DRAWING, HOOK UP  
 34Y, PCL601XCE, MBC05641**

SIZE	DWG. NO.	REV
C	AA5378	

SCALE: 1:1 WEIGHT: SHEET 1 OF 1

8

7

6

5

4

3

2

1