

EDC-08 - Servo System



FEATURES

- **Input Voltage Range of 187-242 VAC**
- **Rated Torque of 338 oz-in**
- **750 Watt Power Rating**
- **No Load Speed up to 4,500 RPM**
- **2,500 PPR Incremental Encoder**
- **Enclosed and Self-Cooled**
- **Oil Seal and Optional Brake**
- **RS232 and CAN Communication**
- **Real Time Monitoring and Management**
- **Position and Speed Control**
- **Optional Handheld Controller**

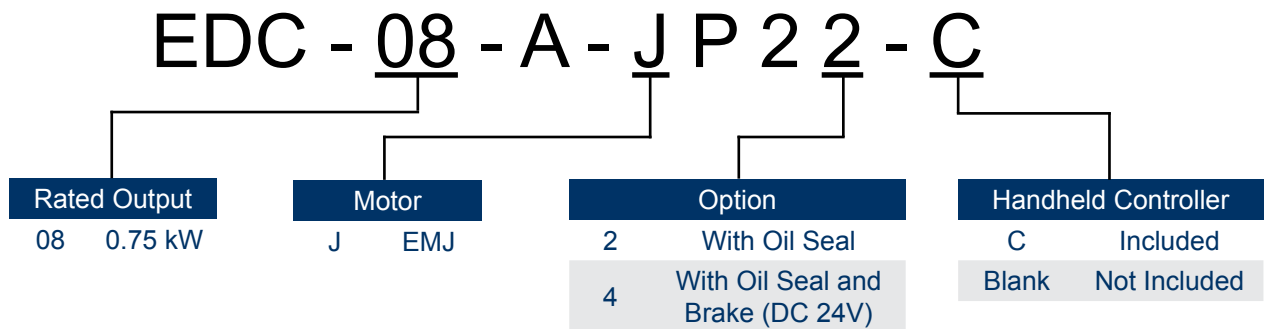


DESCRIPTION

The EDC-08 servo system includes a 750 Watt EMJ motor operated by the EDC drive. These packages are ideal for quick and easy start-ups, convenience and performance! The servo motors included in these packages provide up to 338 oz-in of rated torque. The EDC drives are designed to switch dynamically among the different control modes for convenient and flexible operation. These drives operate standard with RS232 communication and are a great fit for position control requirements. Each system includes a 5m power cable, 5m encoder cable, and a 3m communication cable.

Item Number	Rated Speed (RPM)	Rated Torque (oz-in)	Rated Current (A rms)	Inertia (oz-in-sec ²)	Torque Constant K _T (oz-in/A)	Resistance (ohms)	Inductance (mH)	Driver Digital Display	Brake (24VDC)	Motor Length (mm)	Shaft Diameter (mm)
EDC-08-A-JP22	3000	338	4.0	0.0191	86.8	2.0	16.5	No	No	138	19.00
EDC-08-A-JP24	3000	338	4.0	0.0208	86.8	2.0	16.5	No	Yes	181	19.00
EDC-08-A-JP22-C	3000	338	4.0	0.0191	86.8	2.0	16.5	Handheld Controller	No	138	19.00
EDC-08-A-JP24-C	3000	338	4.0	0.0208	86.8	2.0	16.5	HandHeld Controller	Yes	181	19.00

ORDERING INFORMATION



L010952

EMJ-08 Motor Specifications

FEATURES

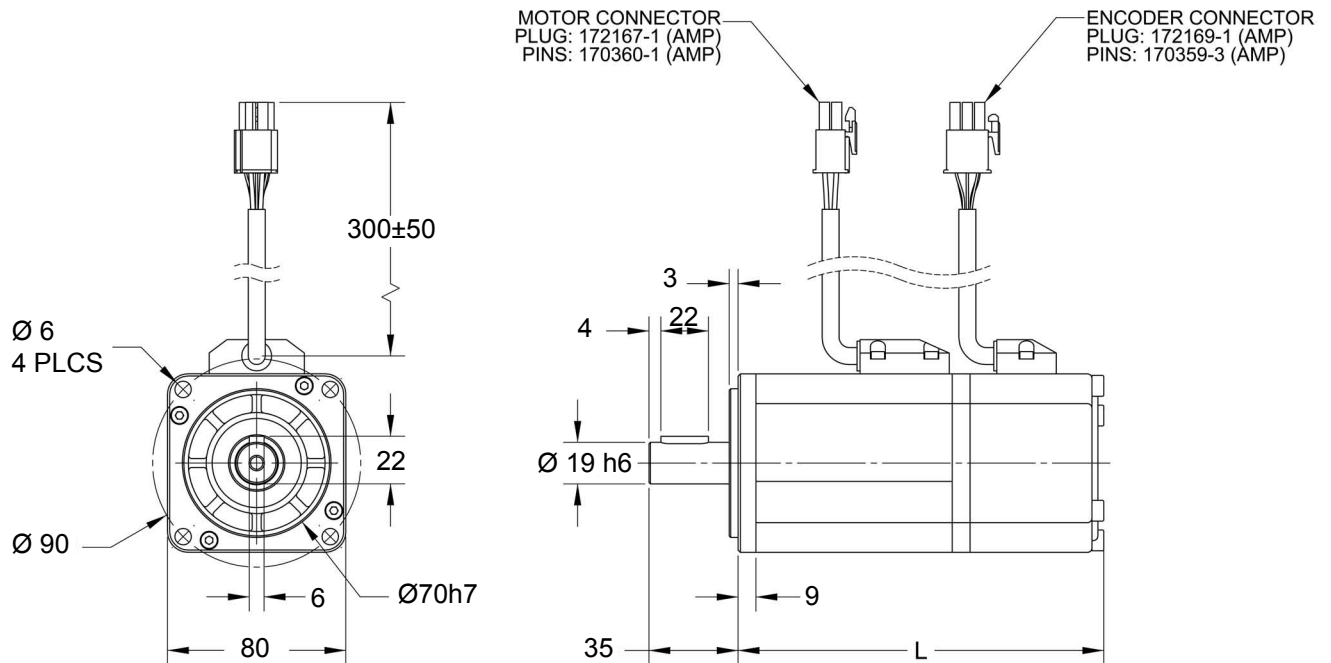
- Rated Torque of 338 oz-in
- 3-Phase, 200VAC
- Rated Power up to 750 Watts
- Peak Torque up to 300% of Rated Torque
- Peak Current up to 300% of Rated Current
- No Load Speed of up to 4,500 RPM
- 2,500 PPR Incremental Encoder Attached
- Full Enclosed and Self-Cooled
- Optional Brake Available
- Neodymium-Iron-Boron Magnets (NdFeB)
- CE Certified



SPECIFICATIONS

Item Number	Rated Power (Watts)	Rated Speed (RPM)	Max Speed (RPM)	Rated Torque (oz-in)	Rated Current (A rms)	Max Current (A rms)	Inertia (oz-in-sec ²)	Electric Time Constant T _E (ms)	Back EMF Voltage K _E (V/kRPM)	Torque Constant K _T (oz-in/A)	Max Length L (mm)	Resistance (ohms)	Weight (lbs)
EMJ-08APB22	750	3000	4500	338	4.0	12	0.0191	11.0	39	86.8	138	2.0	7.72
EMJ-08APB24	750	3000	4500	338	4.0	12	0.0208	11.0	39	86.8	181	2.0	7.72

DIMENSIONS



Dimensions are in mm

EDC-08 Driver Specifications

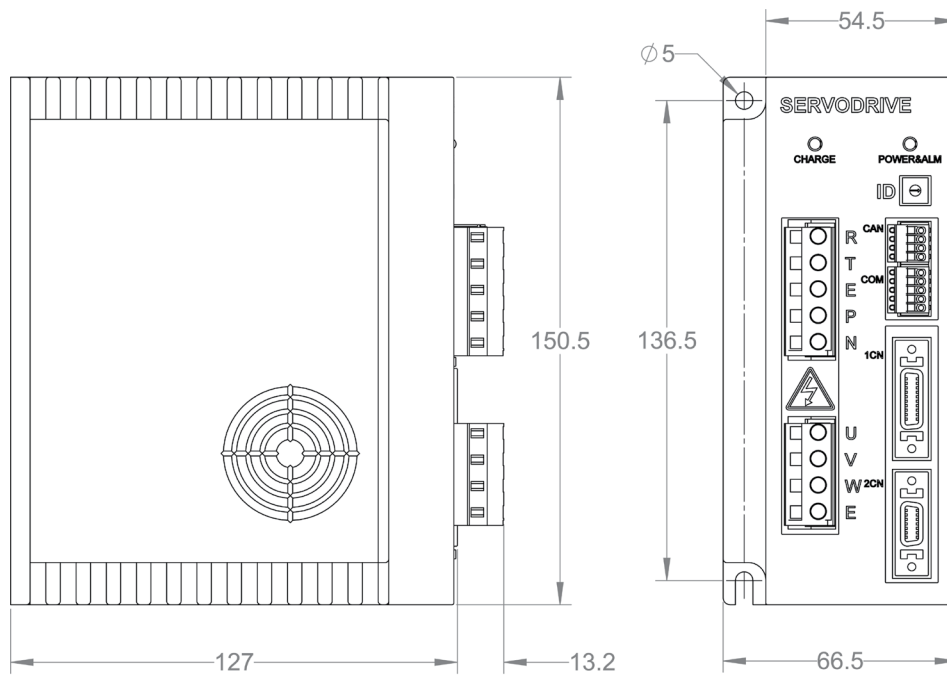
FEATURES

- Input Voltage Range of 187-242 VAC
- Rated Power up to 750 Watts
- High Overload Capacity
- RS232 Communication Interface
- ESView Communication Software
- Parameter Management
- Real Time Monitoring and Adjustment
- Position and Speed Control
- Optional Handheld Controller Available
- CE Certified



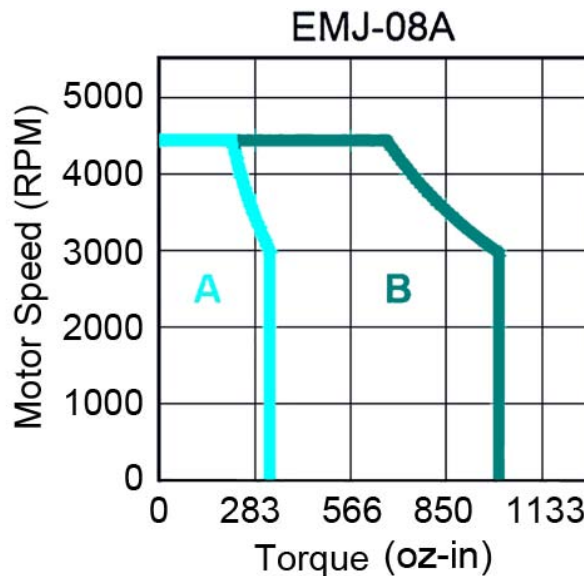
EDC-08APE

EDC DIMENSIONS

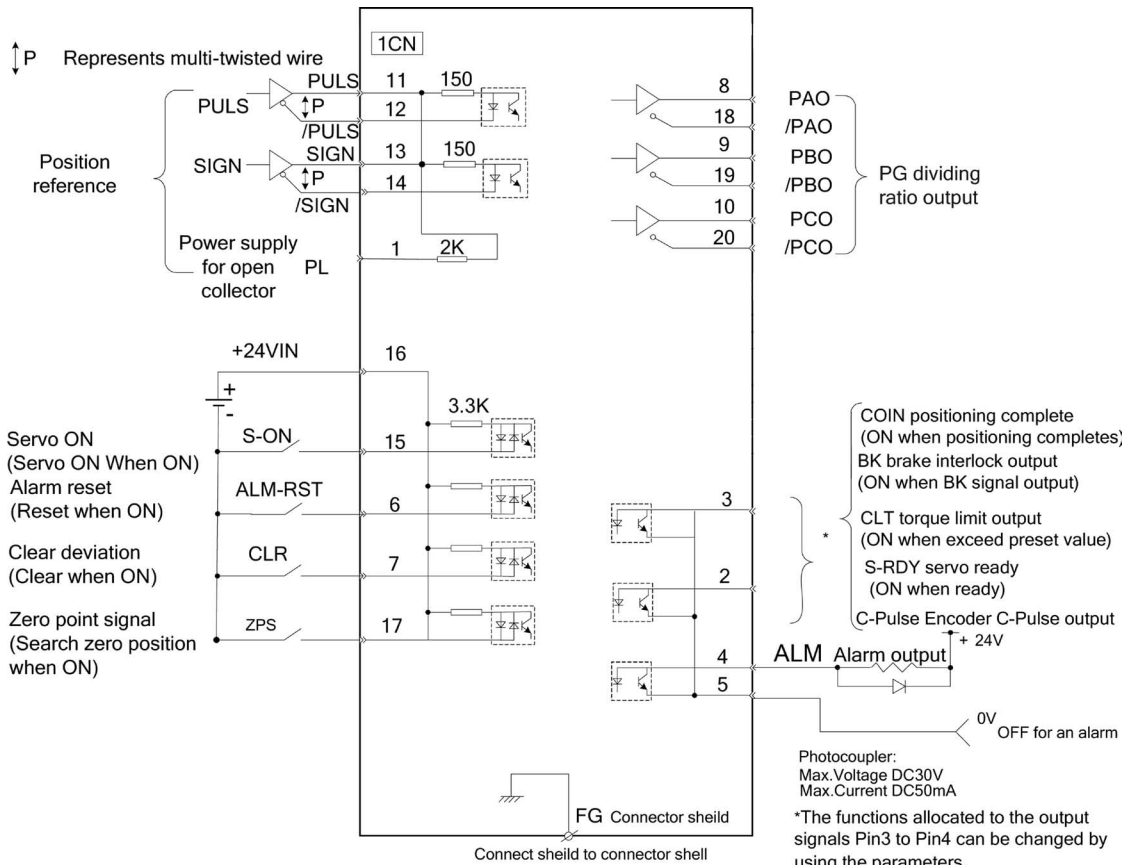
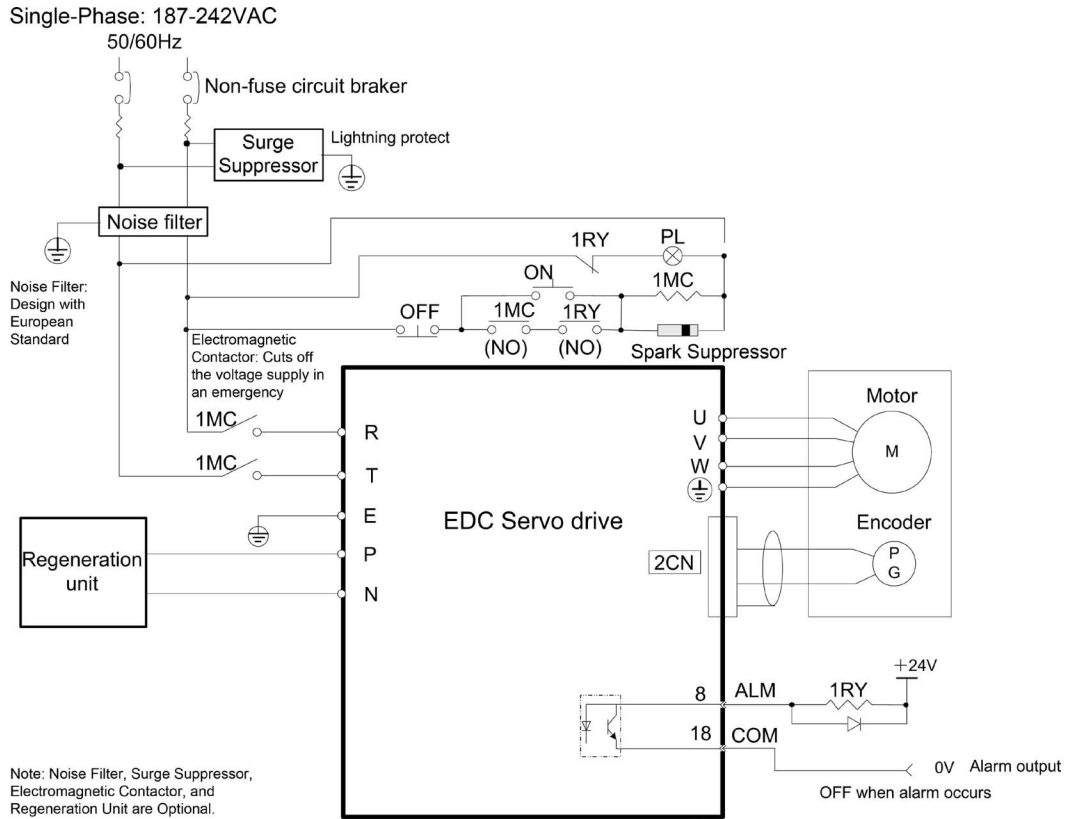


Dimensions are in mm

TORQUE CURVE



A - Continuous Working Area
B - Repeatedly Working Area



Compatible Drivers

Part Number	Description
EDC-08APE	Servo Driver



Compatible Motors

Part Number	Description
EDC-04APE	Servo Driver



Compatible Cables

Part Number	Description
CDM-JB18-05	Power Cable
CMP-JB26-05	Encoder Cable
EDC-CSC-CC24A-02	Comm. Cable

