



# SMH80S-0075 Motor Specifications



## FEATURES

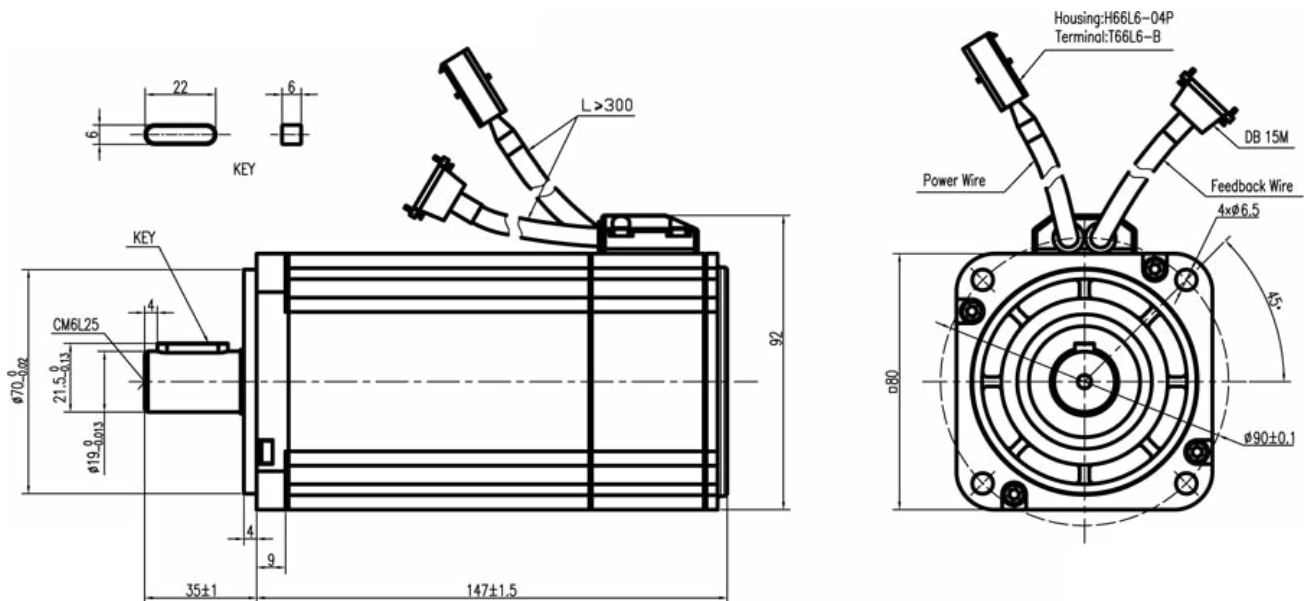
- 220 VAC
- 750 W Power Rating
- Rated Torque of 338 oz-in
- Maximum Speed of 3000 rpm
- 2500 PPR Incremental Encoder Attached
- IP65 for Body, IP54 Shaft Seal
- Brake Option Available
- CE Certified



## SPECIFICATIONS

Item	Rated Torque (oz-in)	Rated Power (Watts)	Rated Speed (rpm)	Rated Current (Arms)	Inertia (oz-in-sec <sup>2</sup> )	Torque Constant KT (oz-in/A)	Resistance (ohms)	Inductance (mH)	Length (mm)	Weight (lbs)
SMH80S-0075-30AAK-3AKH	338	750	3000	7.5	0.02002	46.87	0.41	1.95	167	7.27
SMH80S-0075-30ABK-3AKH	338	750	3000	7.5	0.02002	46.87	0.41	1.95	217	8.81

## DIMENSIONS



Dimensions are in mm

Note: Part Number SMH80S-0075-30ABK is with the brake option. Brake option not shown in above dimensions.

# FD322S-LA-000 Driver Specifications

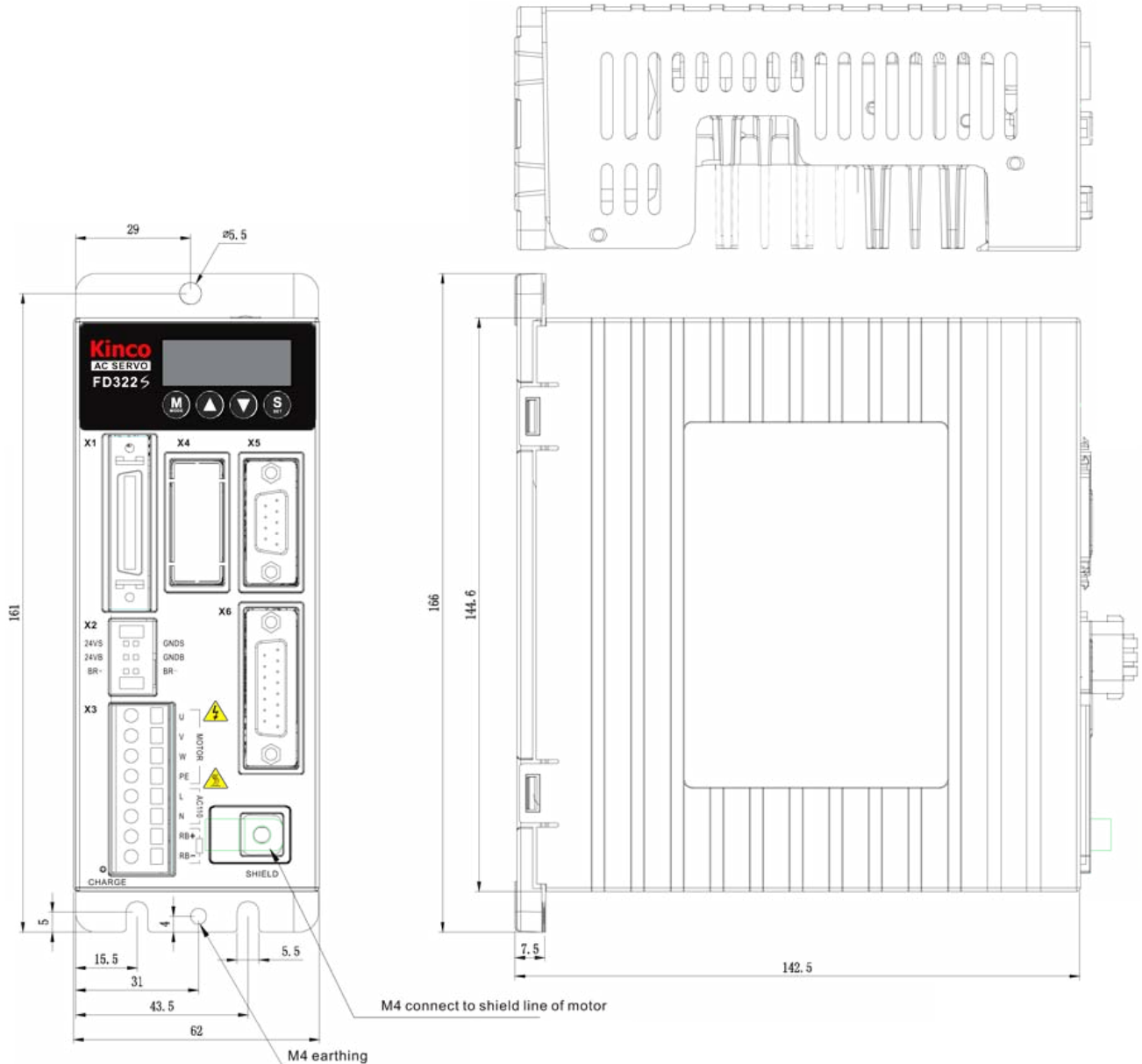


## FEATURES

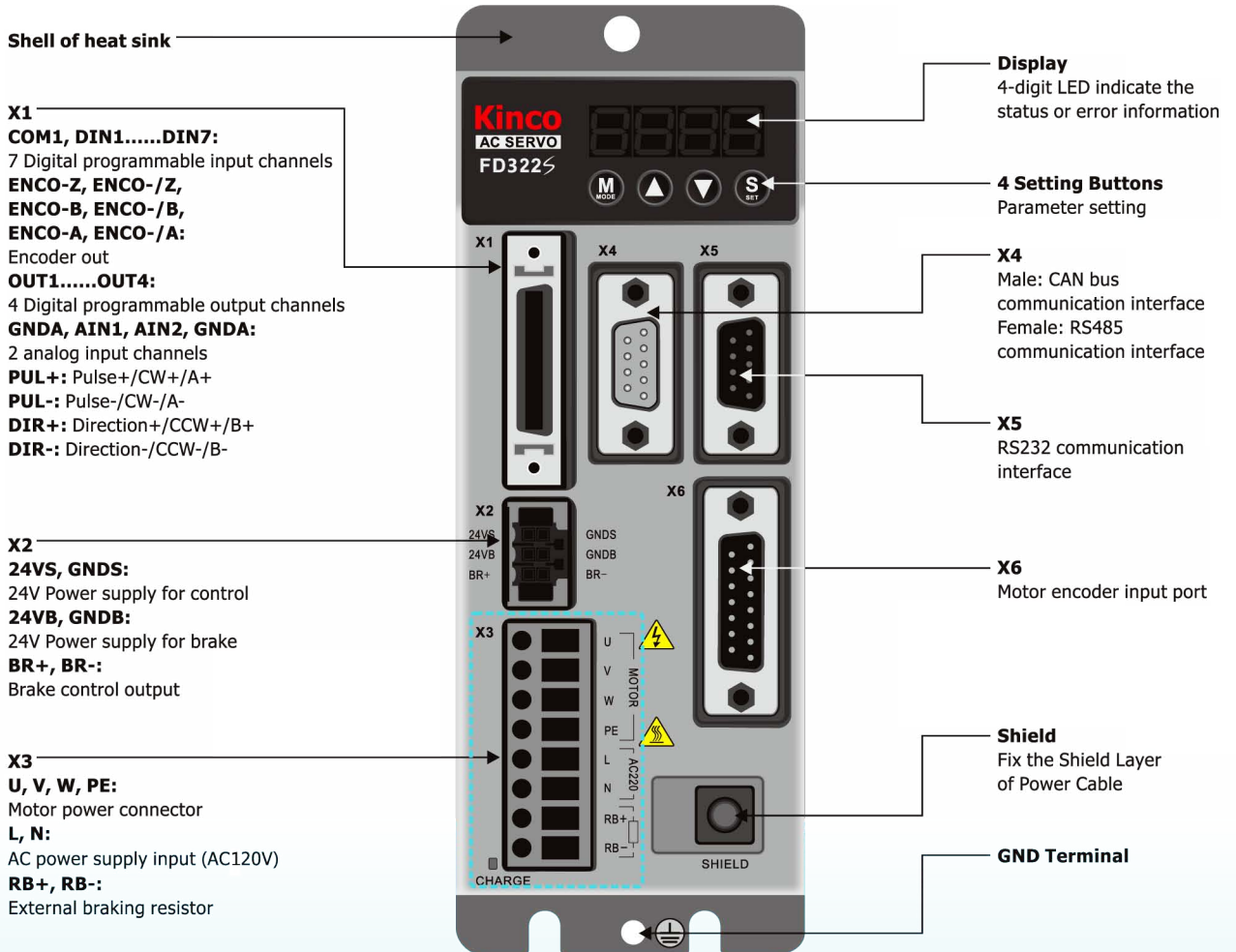
- Input Voltage Range of 88-126VAC
- 750 W Power Rating
- Rated Torque of 338 oz-in
- Maximum Speed of 3000 rpm
- 2500 PPR Incremental Encoder Attached
- IP65 for Body, IP54 Shaft Seal
- Brake Option Available
- Position, Speed, and Torque Control
- CE Certified



## DIMENSIONS



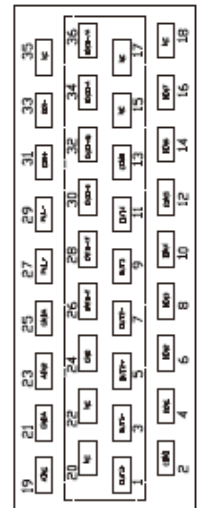
Dimensions are in mm



Digital Input/Output Port

PIN No.	Signal	PIN No.	Signal	PIN No.	Signal	PIN No.	Signal
2	COM1	1	OUT1+	20	NC	19	AIN1
4	DIN1	3	OUT1-	22	NC	21	GNDA
6	DIN2	5	OUT2+	24	GND	23	AIN2
8	DIN3	7	OUT2-	26	ENCO-Z	25	GNDA
10	DIN4	9	OUT3	28	ENCO-/Z	27	PUL+
12	DIN5	11	OUT4	30	ENCO-B	29	PUL-
14	DIN6	13	COM0	32	ENCO-/B	31	DIR+
16	DIN7	15	NC	34	ENCO-A	33	DIR-
18	NC	17	NC	36	ENCO-/A	35	NC

X1



CAN

PIN Number	Signal
1	NC
2	CAN_L
3	GND
4	NC
5	NC
6	NC
7	CAN_H
8	NC
9	NC

RS485

PIN Number	Signal
1	NC
2	RX+
3	TX+
4	NC
5	GND
6	+5V
7	RX-
8	TX-
9	NC

X4

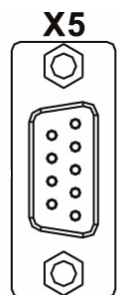


9 pin DB

RS232

PIN Number	Signal
1	NC
2	TX
3	RX
4	NC
5	GND
6	NC
7	NC
8	NC
9	NC

X5



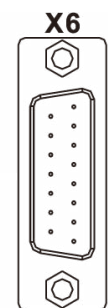
9 pin DB female

ENCODER IN

PIN No.	Signal	PIN No.	Signal
1	+5V	9	GND
2	A	10	/A
3	B	11	/B
4	Z	12	/Z
5	U	13	/U
6	V	14	/V
7	W	15	/W
8	PTC_IN		

Motor Encoder Input Port

X6



15 pin DB female

### Compatible Drivers

Part Number	Description
FD322S-LA-000	Servo Driver



### Compatible Motors

Part Number	Description
SMH80S-0075-30AAK-3AKH	Servo Motor
SMH80S-0075-30ABK-3AKH	Servo Motor



### Compatible Cables

Part Number	Description
KNC-SRV-ENCCA-05-KH	Encoder Cable
KNC-SRV-MOT-005-05-KL	Power Cable

