

PKS-PRO-E-005 - Servo System



FEATURES

- 170-253VAC Single-Phase Input Voltage
- Rated Torque of 22 oz-in
- Power Ratings up to 50 Watts
- 2,500 PPR Incremental Encoder
- Maximum Speed of 5000 RPM
- Enclosed and Self-Cooled
- MODBUS and CANopen Standard
- RS485 Interface
- Real Time Monitoring and Management
- Position, Speed, and Torque Control
- CE Certified



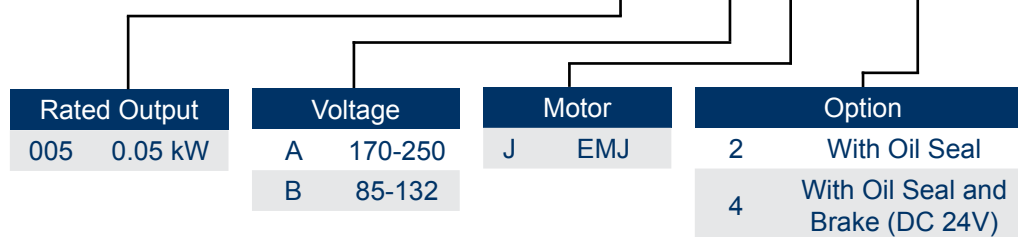
DESCRIPTION

The PKS-PRO-E-005 Servo System includes a 50 Watt EMJ AC Servo Motor operated by the PRONET-E Drive. These packages are ideal for quick and easy start-ups, convenience and performance! The Servo Motors included in these packages provide torque up to 22 oz-in. The PRONET-E Drives offer current forward-feedback control, speed viewer, and inertia viewer; providing for improved response performance. These drives operate standard with MODBUS and CANopen Protocol. Each system includes a 5m Motor Power Cable and 5m Encoder Cable.

| Item | Rated Voltage (VAC) | Rated Speed (RPM) | Rated Torque (oz-in) | Rated Current (Arms) | Inertia (oz-in-sec ²) | Torque Constant KT (oz-in/A) | Resistance (ohms) | Inductance (mH) | Brake (24VDC) | Motor Length (mm) | Shaft Diameter (mm) |
|----------------------|---------------------|-------------------|----------------------|----------------------|-----------------------------------|------------------------------|-------------------|-----------------|---------------|-------------------|---------------------|
| PKS-PRO-E-005-A-JP22 | 170-253 | 3000 | 22 | 0.95 | 7.2222 | 0.244 | 12.5 | 11.06 | No | 83 | 8 |
| PKS-PRO-E-005-A-JP24 | 170-253 | 3000 | 22 | 0.95 | 7.2222 | 0.244 | 12.5 | 11.06 | Yes | 117.5 | 8 |

ORDERING INFORMATION

PKS-PRO-E-005-A-JP22



L011526

EMJ-A5 Motor Specifications



FEATURES

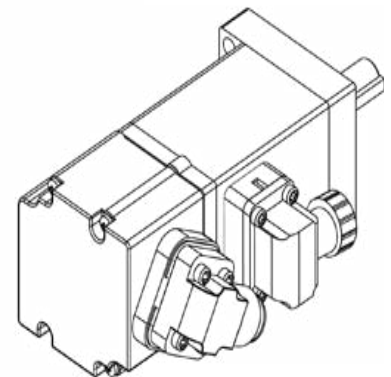
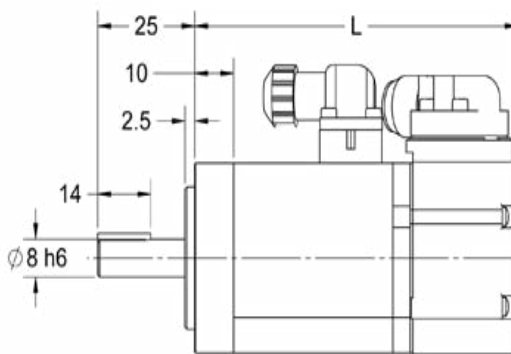
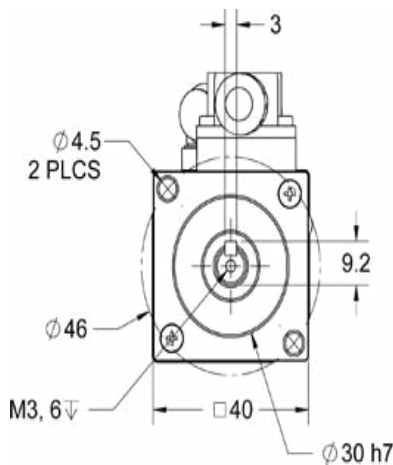
- 170-253VAC Single-Phase Input Voltage
- 50W Power Rating
- Rated Torque of 22 oz-in
- Maximum Speed of 5000 rpm
- 2500 PPR Incremental Encoder Attached
- Enclosed and Self-Cooled
- Oil Seal and Optional Brake
- MODBUS and CANopen Standard
- RS485 Interface
- Real Time Monitoring and Management
- Position, Speed, and Torque Control
- CE Certified



SPECIFICATIONS

| Item | Rated Torque (oz-in) | Rated Power (Watts) | Rated Speed (rpm) | Rated Current (Arms) | Inertia (oz-in-sec ²) | Torque Constant KT (oz-in/A) | Resistance (ohms) | Inductance (mH) | Length (mm) | Weight (lbs) |
|-------------|----------------------|---------------------|-------------------|----------------------|-----------------------------------|------------------------------|-------------------|-----------------|-------------|--------------|
| EMJ-A5APA22 | 22 | 50 | 3000 | 0.95 | 0.00072 | 0.244 | 12.5 | 11.06 | 83 | 1.14 |
| EMJ-A5APA24 | 22 | 50 | 3000 | 0.95 | 0.00073 | 0.244 | 12.5 | 11.06 | 117.5 | 4.41 |

DIMENSIONS



Note: Motors ending in 24 have a holding brake Unit: (mm)

PRONET-E-A5A Driver Specifications

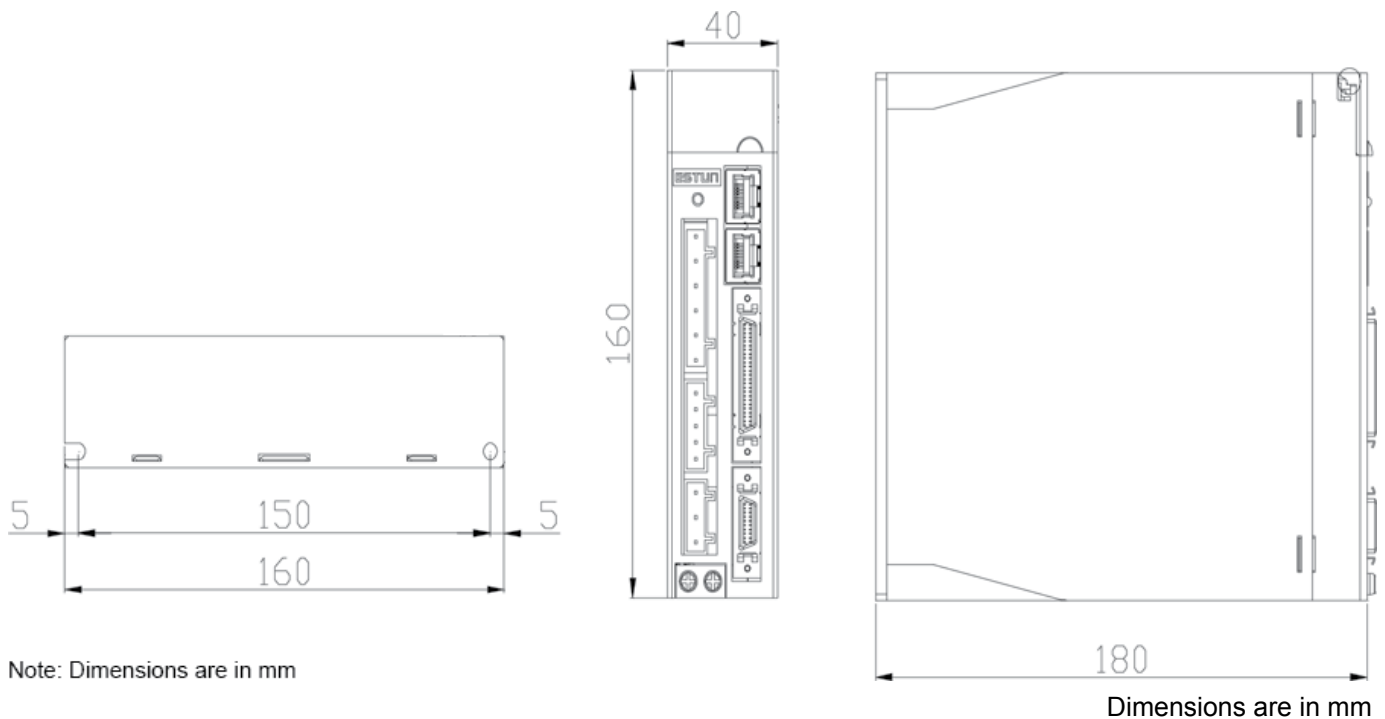


FEATURES

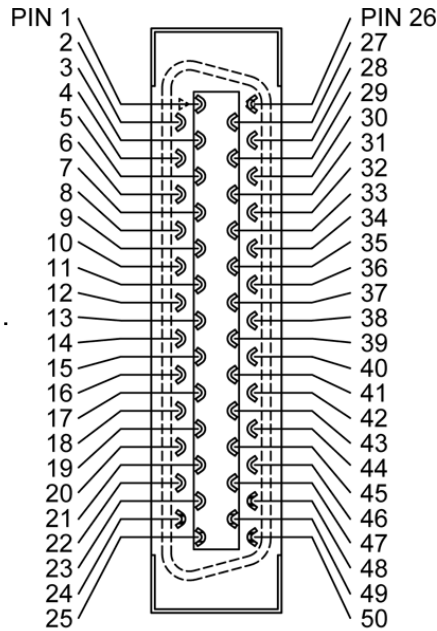
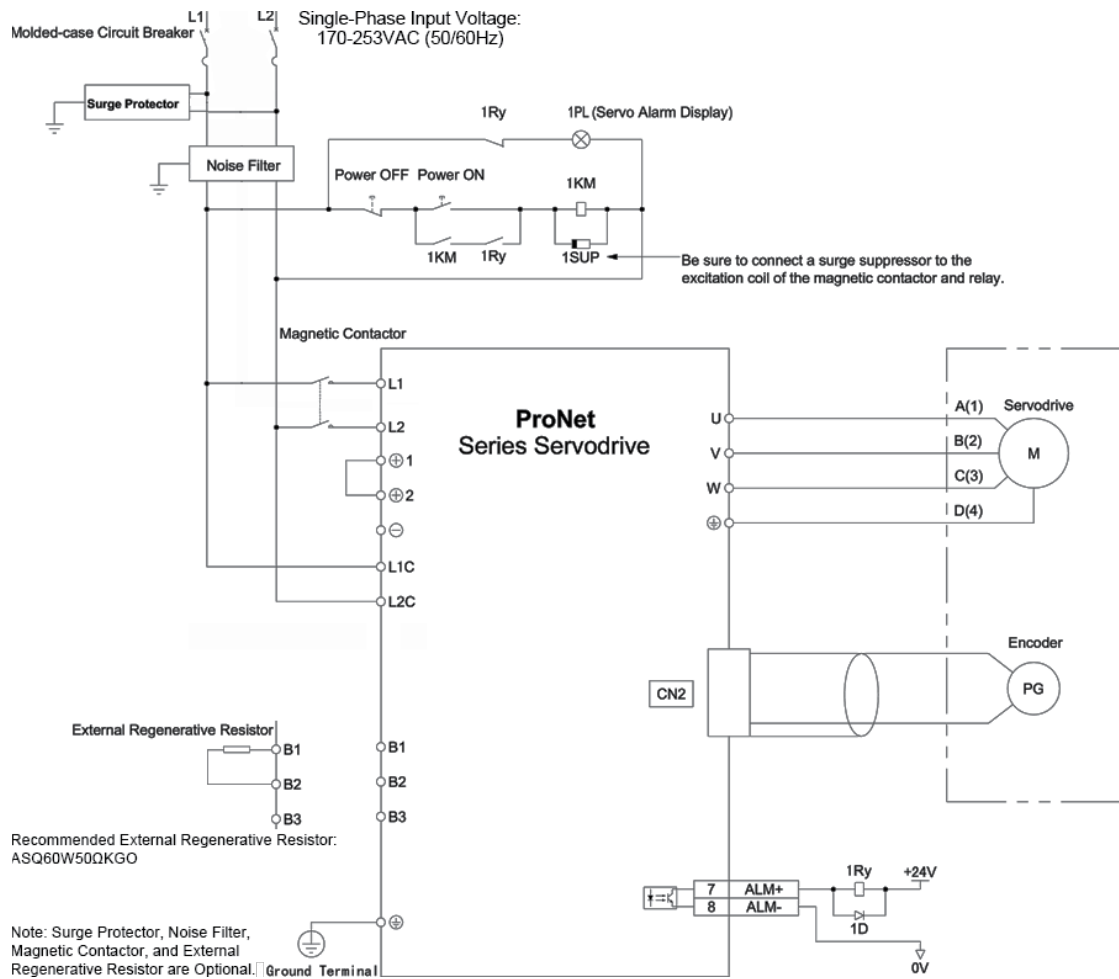
- *Input Voltage Range of 170-253VAC*
- *50W Power Rating*
- *Standard Communication: CANopen*
- *2500 Pulses Per Revolution*
- *High Reliability and Cost Effective*
- *CE Certified*



DIMENSIONS

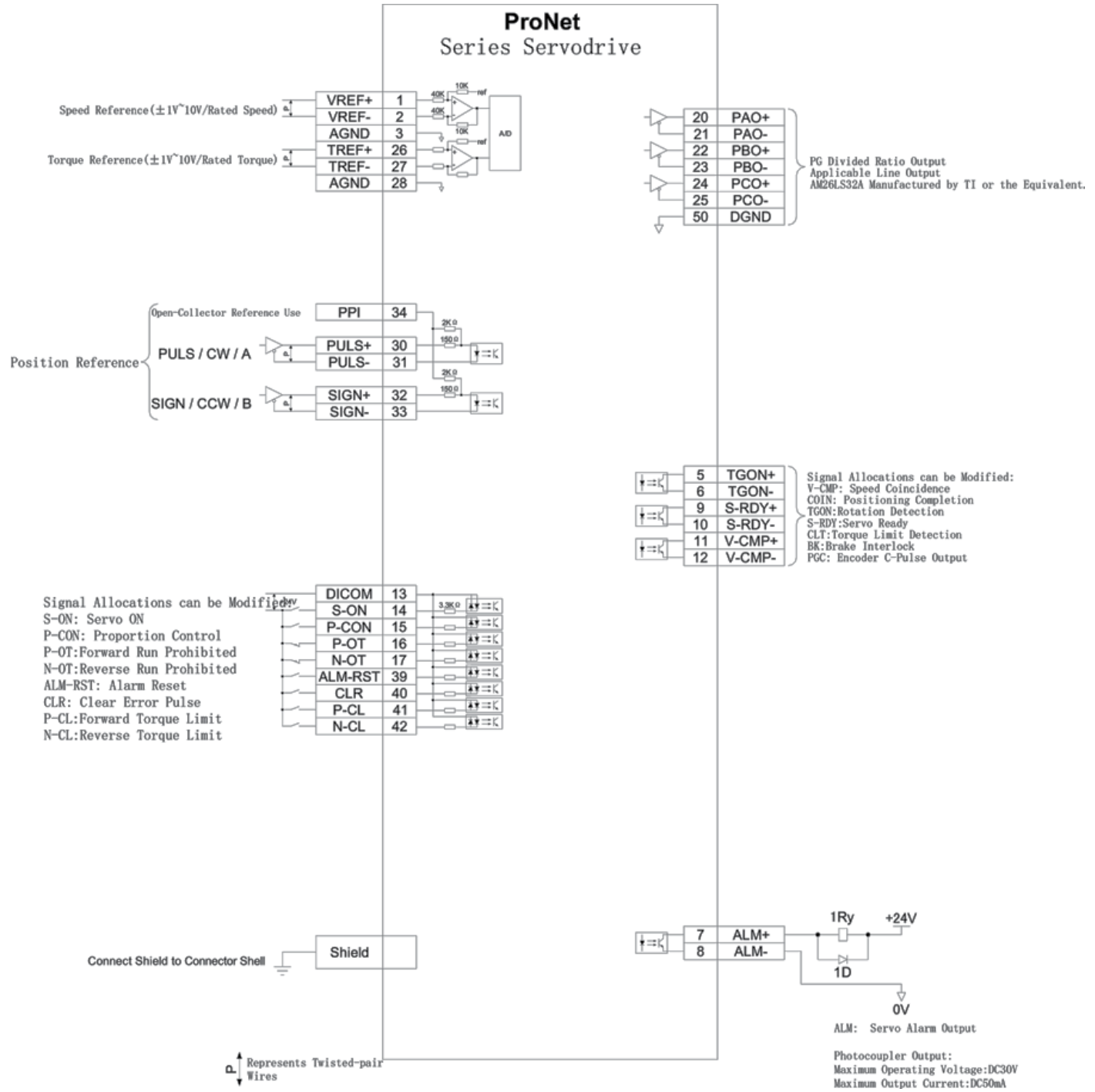


MAIN CIRCUIT DIAGRAM



PRONET-E 1CN CONNECTOR (REAR VIEW)

1CN CONNECTOR PINOUT



Included System Driver

| Part Number | Description |
|--------------|--------------|
| PRONET-E-A5A | Servo Driver |



Included System Motors

| Part Number | Description |
|-------------|-------------|
| EMJ-A5APA22 | Servo Motor |
| EMJ-A5APA24 | Servo Motor |



Included System Cables

| Part Number | Description |
|-------------|---------------|
| PMP-JO24-05 | Encoder Cable |
| PDM-JO20-05 | Power Cable |
| PBK-JO20-05 | Brake Cable |

