

PKS-PRO-E-01 - Servo System



FEATURES

- 170-253VAC Single-Phase Input Voltage
- Rated Torque of 45 oz-in
- Power Ratings up to 100 Watts
- 2,500 PPR Incremental Encoder
- Maximum Speed of 5000 RPM
- Enclosed and Self-Cooled
- MODBUS and CANopen Standard
- RS485 Interface
- Real Time Monitoring and Management
- Position, Speed, and Torque Control
- CE Certified



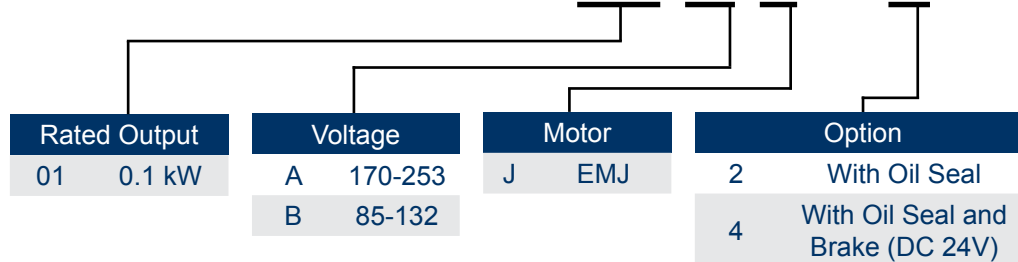
DESCRIPTION

The PKS-PRO-E-01 Servo System includes a 100 Watt EMJ AC Servo Motor operated by the PRONET-E Drive. These packages are ideal for quick and easy start-ups, convenience and performance! The Servo Motors included in these packages provide torque up to 45 oz-in. The PRONET-E Drives offer current forward-feedback control, speed viewer, and inertia viewer; providing for improved response performance. These drives operate standard with MODBUS and CANopen Protocol. Each system includes a 5m Motor Power Cable and 5m Encoder Cable.

Item	Rated Voltage (VAC)	Rated Speed (RPM)	Rated Torque (oz-in)	Rated Current (Arms)	Inertia (oz-in-sec ²)	Torque Constant KT (oz-in/A)	Resistance (ohms)	Inductance (mH)	Brake (24VDC)	Motor Length (mm)	Shaft Diameter (mm)
PKS-PRO-E-01-A-JP22	170-253	3000	45	1.05	10.3376	0.376	13.7	13.9	No	100	8
PKS-PRO-E-01-A-JP24	170-253	3000	45	1.05	10.3376	0.376	13.7	13.9	Yes	134.5	8

ORDERING INFORMATION

PKS-PRO-E-01-A-JP22



L011527

EMJ-01 Motor Specifications



FEATURES

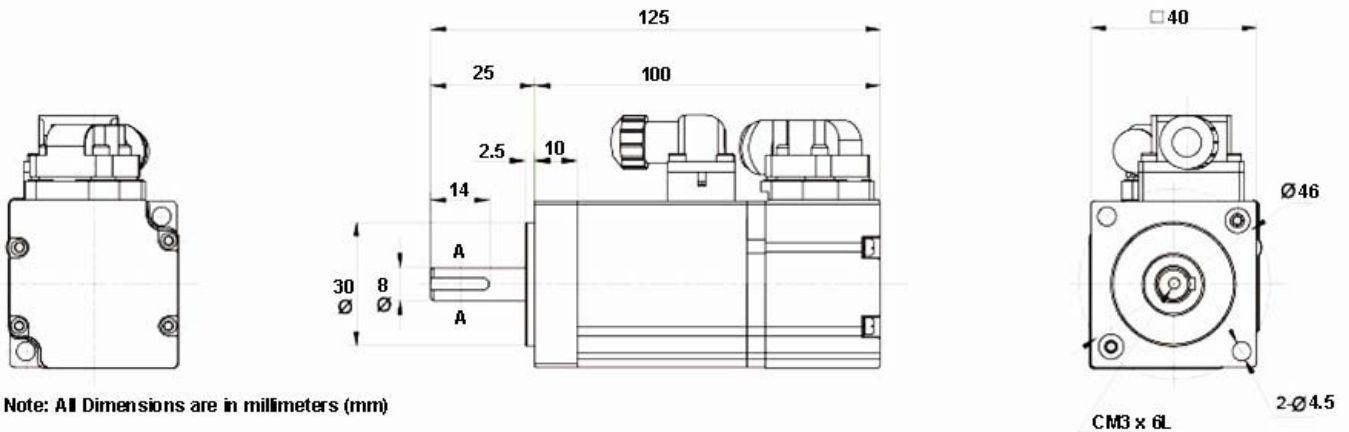
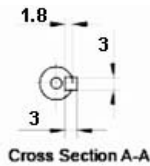
- 170-253VAC Single Phase Input Voltage
- 100W Power Rating
- Rated Torque of 45 oz-in
- Maximum Speed of 5000 rpm
- 2500 PPR Incremental Encoder Attached
- Enclosed and Self-Cooled
- Oil Seal and Optional Brake
- MODBUS and CANopen Standard
- RS485 Interface
- Real Time Monitoring and Management
- Position, Speed, and Torque Control
- CE Certified



SPECIFICATIONS

Item	Rated Torque (oz-in)	Rated Power (Watts)	Rated Speed (rpm)	Rated Current (Arms)	Inertia (oz-in-sec ²)	Torque Constant KT (oz-in/A)	Resistance (ohms)	Inductance (mH)	Length (mm)	Weight (lbs)
EMJ-01APA22	45	100	3000	1.05	0.00103	0.376	13.76	15.5	100	1.34
EMJ-01APA24	45	100	3000	1.05	0.00104	0.376	13.76	15.5	134.5	4.41

DIMENSIONS



Note: Part Number EMJ-01APA24 is with the brake option. Brake option not shown in above dimensions.

Dimensions are in mm

PRONET-E-01A Driver Specifications

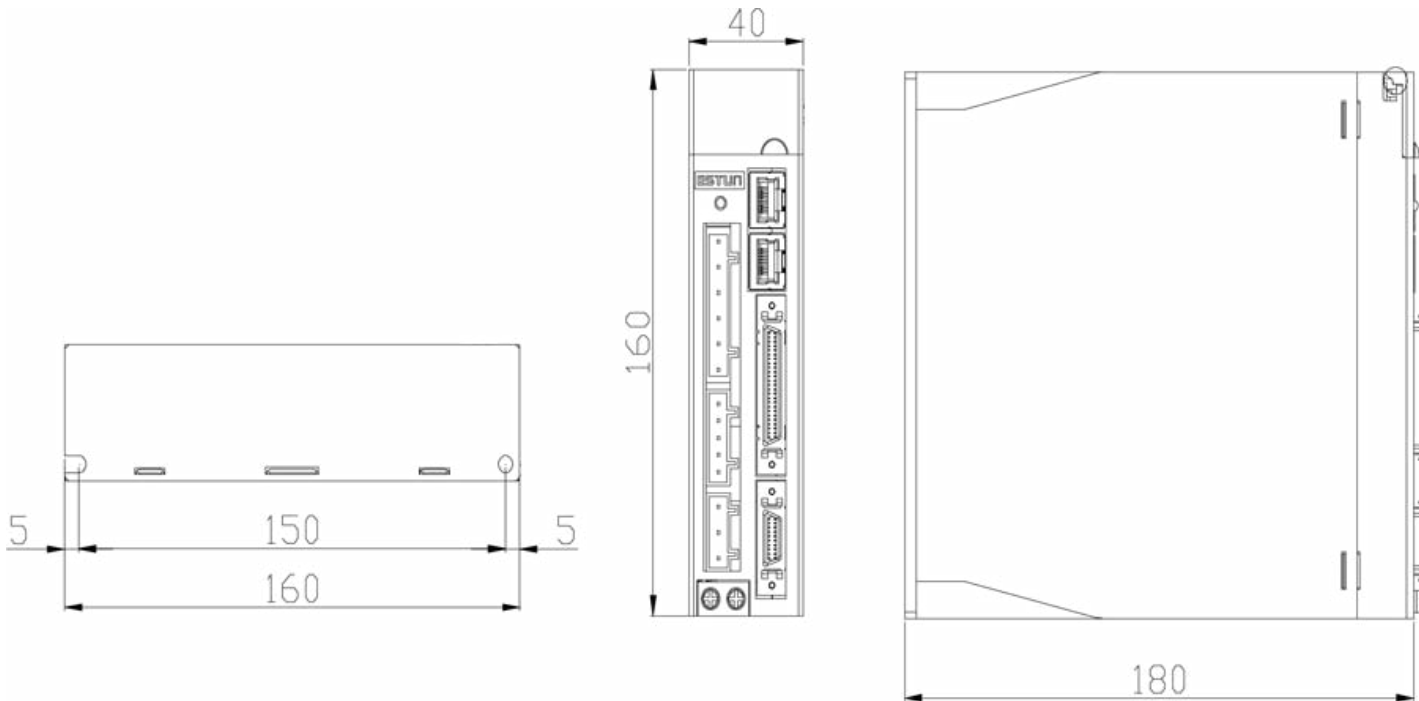


FEATURES

- *Input Voltage Range of 170-253VAC*
- *200VAC*
- *100W Power Rating*
- *Standard Communication: CANopen*
- *2500 Pulses Per Revolution*
- *High Reliability and Cost Effective*
- *CE Certified*

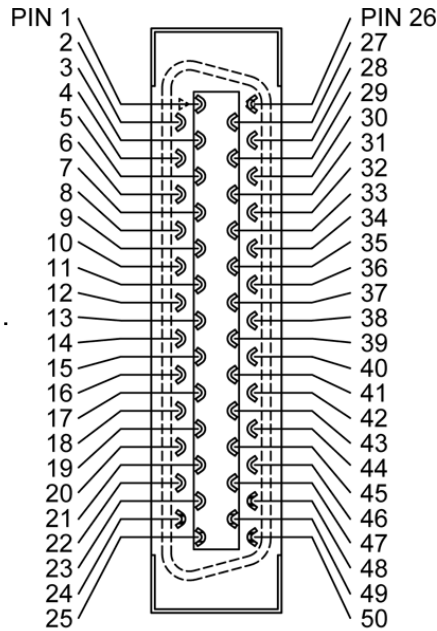
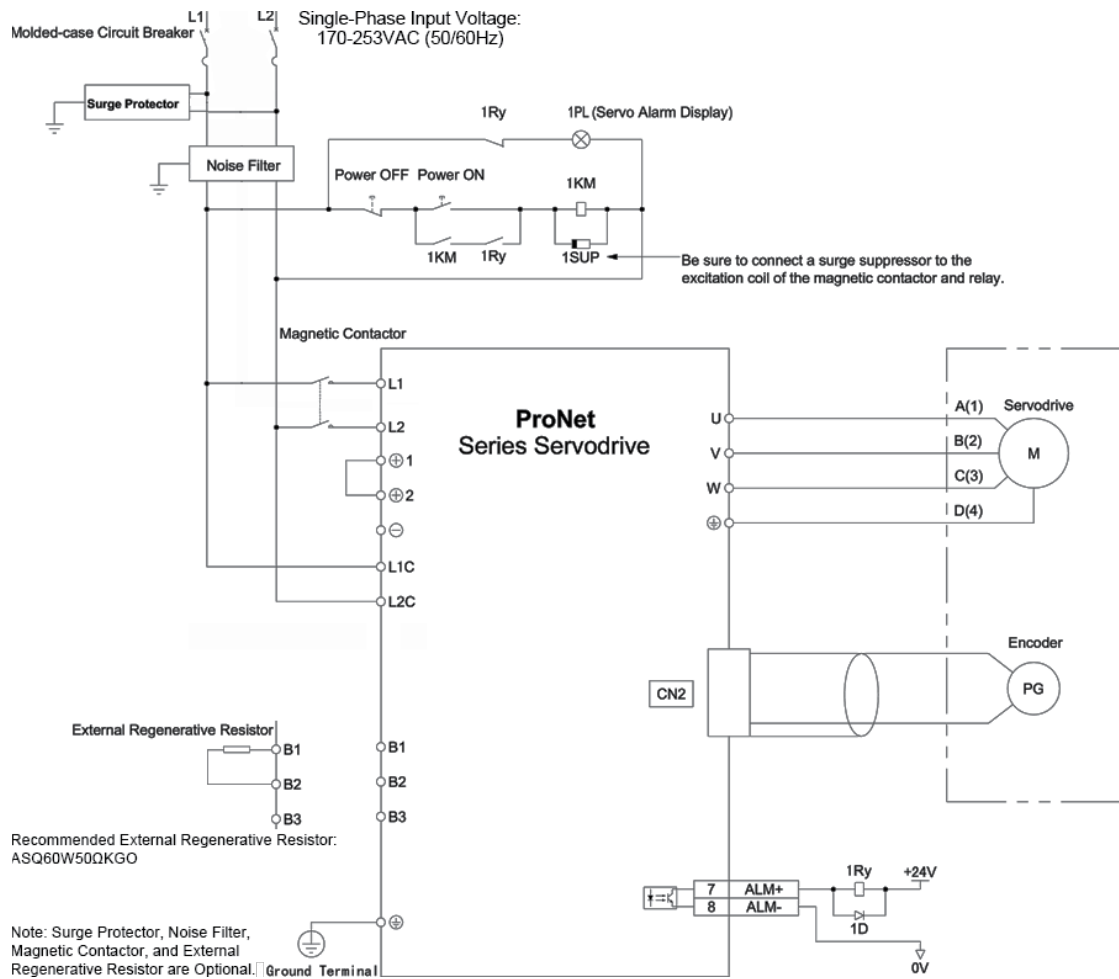


DIMENSIONS



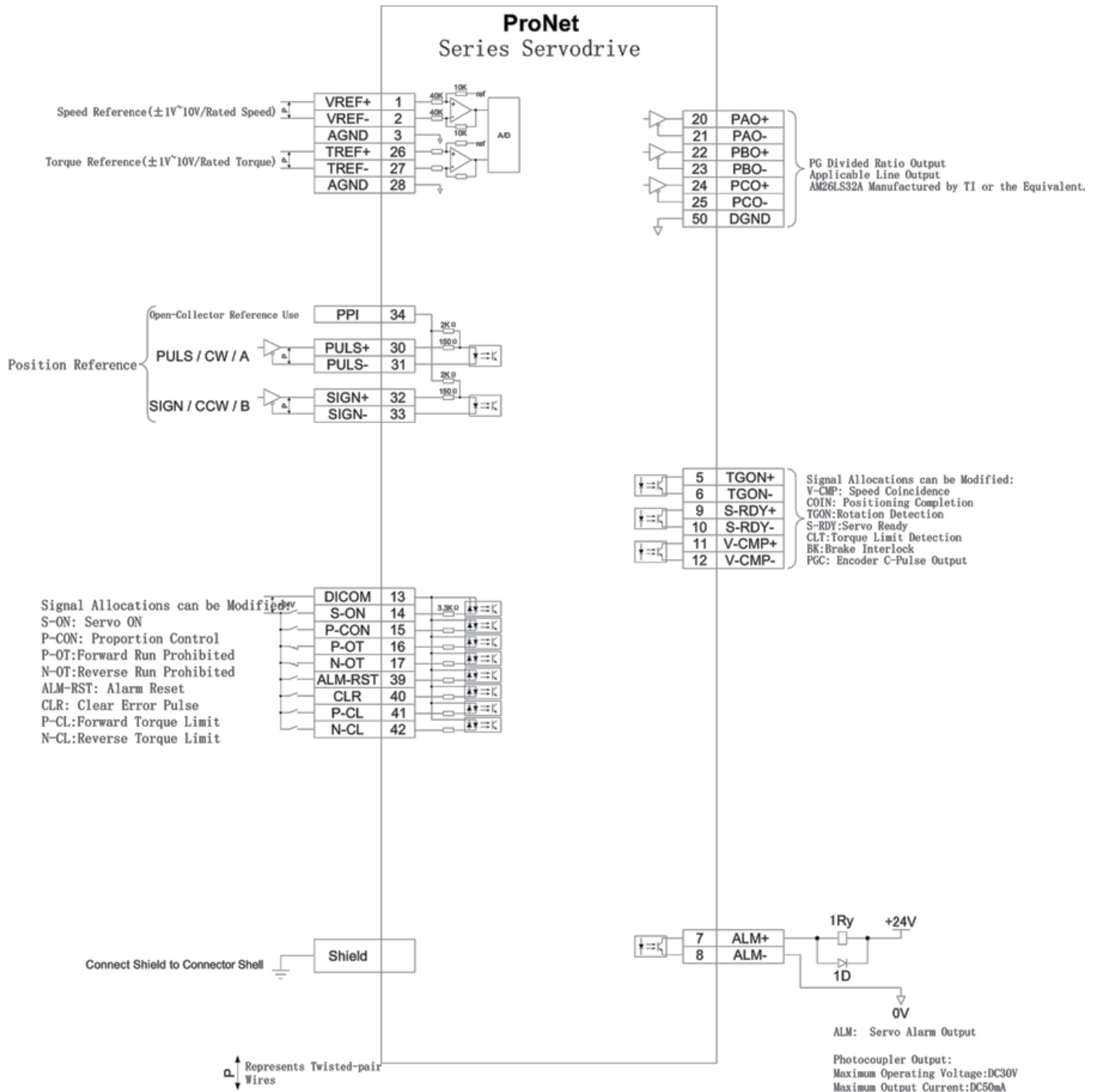
Dimensions are in mm

MAIN CIRCUIT DIAGRAM



PRONET-E 1CN
CONNECTOR
(REAR VIEW)

1CN CONNECTOR PINOUT



Compatible Drivers

Part Number	Description
PRONET-E-A5A	Servo Driver



Compatible Motors

Part Number	Description
EMJ-A5APA22	Servo Motor
EMJ-A5APA24	Servo Motor



Compatible Cables

Part Number	Description
BSP-JO24-05	Encoder Cable
PDM-JO20-05	Power Cable

