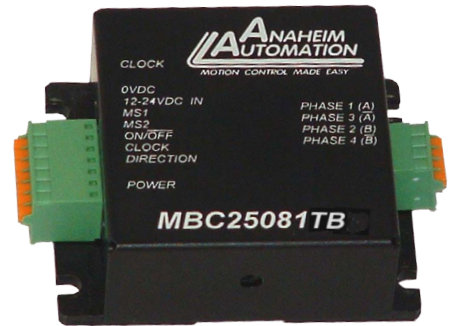


MBC25081TB - Microstep Driver

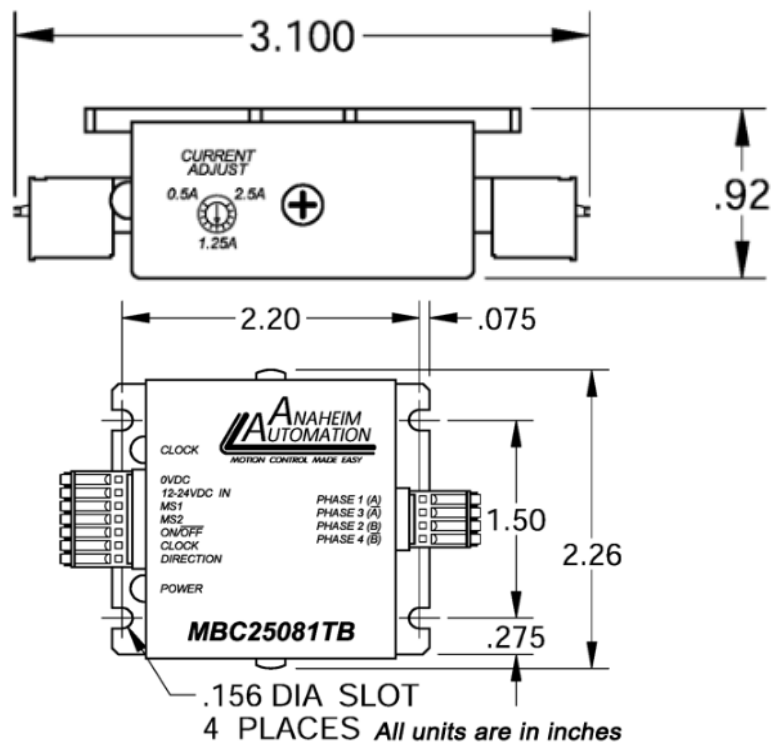


FEATURES

- **Compact Microstep Driver**
- **Detachable Terminal Blocks**
- **0.5 - 2.5 Amp Output Current**
- **Compatible with Size 8, 11, 14, 17, 23, and 34 Frame Stepper Motors**
- **24VDC Compatible Input Signals**
- **Sinking and Sourcing Inputs**
- **12-24VDC Operating Voltage**
- **Low-Cost - Excellent Value**
- **Easy to Install**



DIMENSIONS



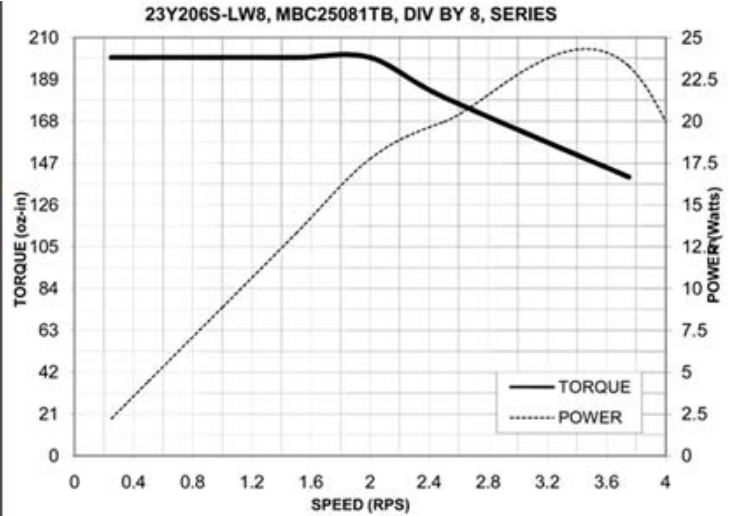
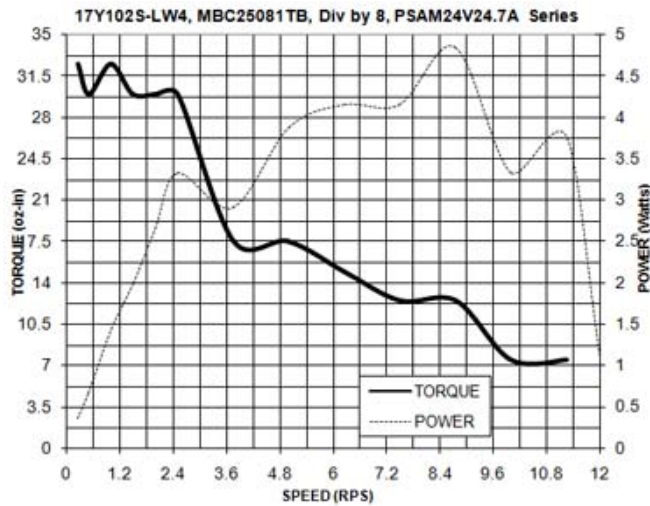
DESCRIPTION

The MBC25081TB is a miniature, fully enclosed stepper motor driver perfect for applications where space is limited. With a footprint less than 2.5" square, this microstepping driver provides great performance and flexibility for a driver its size. The MBC25081TB's greatest asset is how easy it is to use. The detachable spring loaded terminal blocks make it simple to install and eliminates the additional connector and cable accessories commonly associated with other compact stepper drivers. You won't need extra "tools" to wire the MBC25081TB.

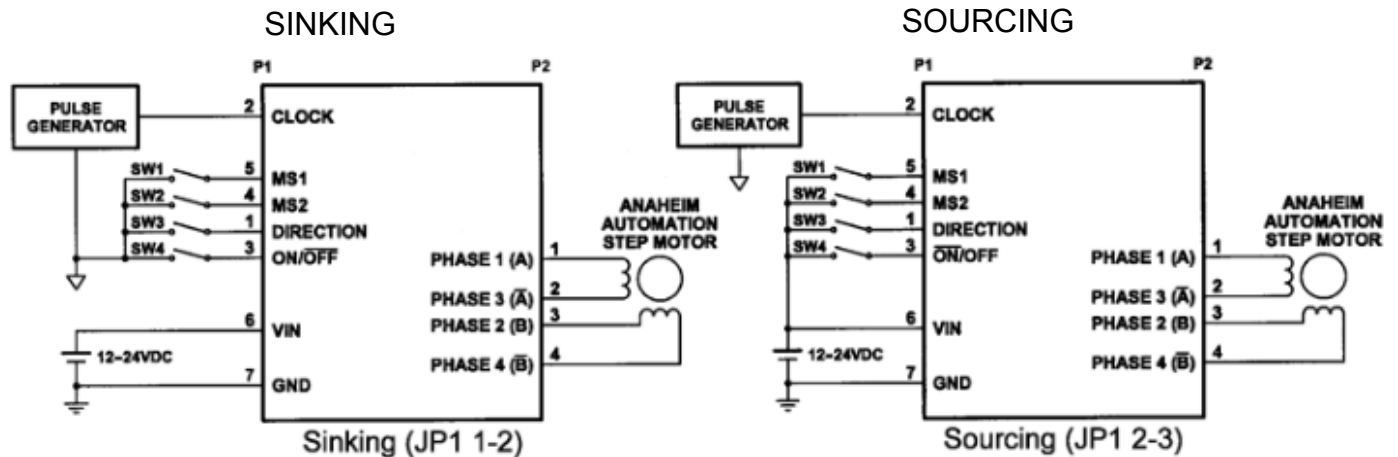
The MBC25081TB is a bipolar type microstepping driver which can deliver anywhere from 0.5 - 2.5 Amps output current (selectable with a small potentiometer on the side). The driver operates from 12VDC minimum to 24VDC maximum voltage and the inputs are capable of running from either open collector or TTL level logic outputs, or sourcing 24VDC outputs from PLCs, microcontrollers, or any device that outputs step and direction signals.

The driver features microstep resolutions of 200, 400, 800, and 1600 steps/revolution, providing smooth rotary operation. Other features include built in over temperature and short circuit shutdown, automatic current reduction at standstill, and LED's to indicate power on and clock pulses being received. If you lack space but expect performance, the MBC25081TB is the driver for a great option.

TORQUE CURVES



WIRING DIAGRAM



SPECIFICATIONS

Power Requirements:	12 - 24 VDC	Input Signal Voltage	3.5-24 VDC
Output Current Range:	0.5 - 2.5 Amps (Peak)	Storage Temperature:	0°-50° C
Microstepping Resolution:	200, 400, 800 and 1600 Steps/Revolution	Absolute Maximum Driver Temperature	70°C
Input Clock Frequency:	0 - 500 KHz	Driver Type	Bipolar, Compatible with 4, 6, and 8 Lead Motors. Series or Parallel Connection
Minimum Input Current:	0.5 mA		

Model #	Description	Input Voltage	Power (Watt)
PSAM24V2.7A	24 VDC Power Supply, Up to 2.7 Amp Capability	90 - 265 VAC	65
MBC25081	2.5 Amp Microstepping Driver, Resolutions of 200 - 1600	12 - 24 VDC	-
MBC15081	1.5 Amp Microstepping Driver, Resolutions of 200 - 1600	12 - 24 VDC	-
MBC10081NTB	1.0 Amp Microstepping Driver, Resolutions of 200 - 1600, Non Detachable Terminal Blocks	12 - 24 VDC	-
DPE25601	2.5 Amp Microstepping Driver Package, Resolutions of 200 - 1600	100 - 240 VAC	24

CAT0105