

# TM4500 Track Mount Driver

FEATURES

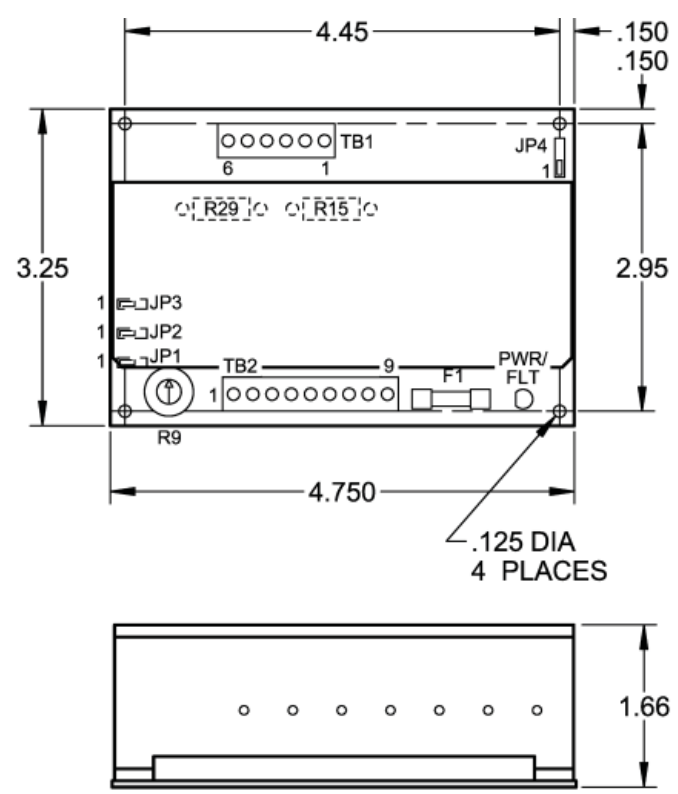
- 1.0-4.5 Amperes/Phase Operating Current
- Higher Torque/Speed Output
- Short Circuit Protection
- Open Motor Wire Detection
- No RFI or EMI Problems
- Requires 7-28 VAC or 10-40 VDC
- TTL-CMOS Compatible Inputs
- Receives Positive or Negative Going Clocks
- Full Step or Half Step Operation
- Motor Turn Off Provisions
- Open Frame Circuit Board Mounts on Snaptrack
- CE Certified and RoHS Compliant



DESCRIPTION

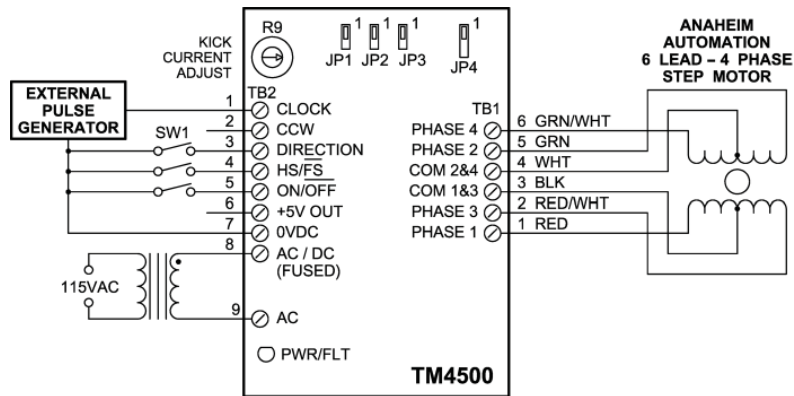
The TM4500 driver is a low cost, unipolar step motor driver designed for 4 phase step motors. The TM4500 is a track mount driver, meaning that it can be quickly mounted on easy to use snaptrack (sold separately). The TM4500 allows the option of using full-step or half-step operation, giving the user the ability to step in either 1.8° or 0.9° increments. The driver can be powered by an AC or DC voltage. For AC operation, the driver may be purchased with a recommended step down transformer. A single transformer may be used to power up several drivers based on power consumption. A major advantage that the TM4500 has over chopper drivers, is that the TM4500 is designed to use bilevel technology. This means that it has replaced the need for high frequency switching techniques, consequently it does not create the EMI, RFI, and motor heating problems that are associated with chopper drivers. This technique makes the TM4500 suitable for applications where low noise requirements are a must. It is especially useful for medical equipment, test instruments, positioning systems, and any other application where noise may be a problem.

DIMENSIONS



L010006

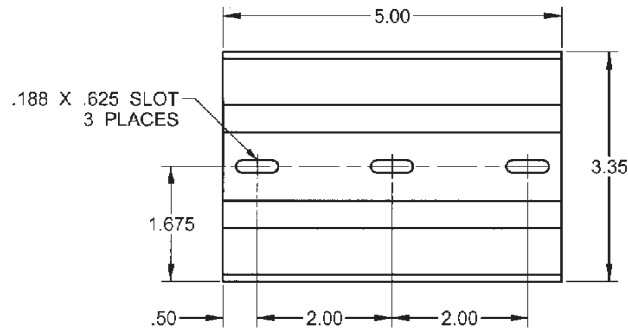
All units are in inches



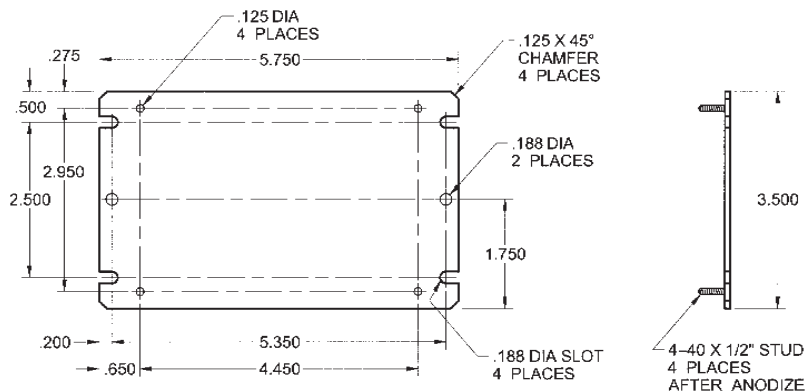
Part #	Description
PSA40V4A	DC Power Supply 40VDC at 4 Amps
PSA24V2.7A	DC Power Supply 24VDC at 2.7 Amps
PSA40V8A	DC Power Supply 40VDC at 8 Amps
AA2295B	AC Transformer 100 Watt
AA2784A	AC Transformer 200 Watt
AA2785	AC Transformer 300 Watt
AA3963	5" Mounting Track
AA2750A	Mounting Plate & Hardware

**Note:** The AA2295B or the AA2784A is the recommended transformer. For additional info on other transformers please contact the factory.

### AA3963 - Mounting Track



### AA2750A - Mounting Plate



L010006