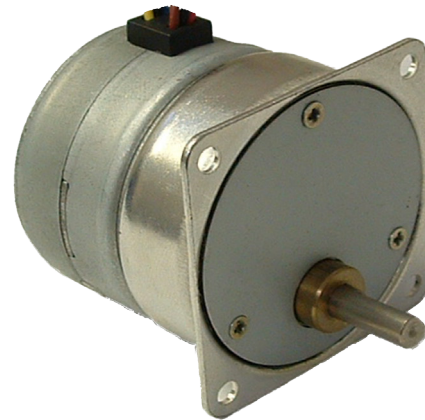


TGM42-075-40-12V-040A Series



FEATURES

- Permanent Magnet Stepper Gear Motor
- High Torque in a Small Package at a Low Cost
- Max Torque Range from 300-4000 g-cm
- Various Gear Ratios available: 10, 25 and 50
- 42 mm Diameter Frame Size
- CE Certified and RoHS Compliant



DESCRIPTION

The TGM42 Series are small Permanent Magnet DC gearmotors measuring 42mm in diameter, and providing from 36 to 141 ounce inches of bipolar torque. These CE Certified motors provide a 7.5° step angle, 10:1, 25:1, or 50:1 gear ratios, and a six-lead wire connection as standard. Customization is available for larger quantities.

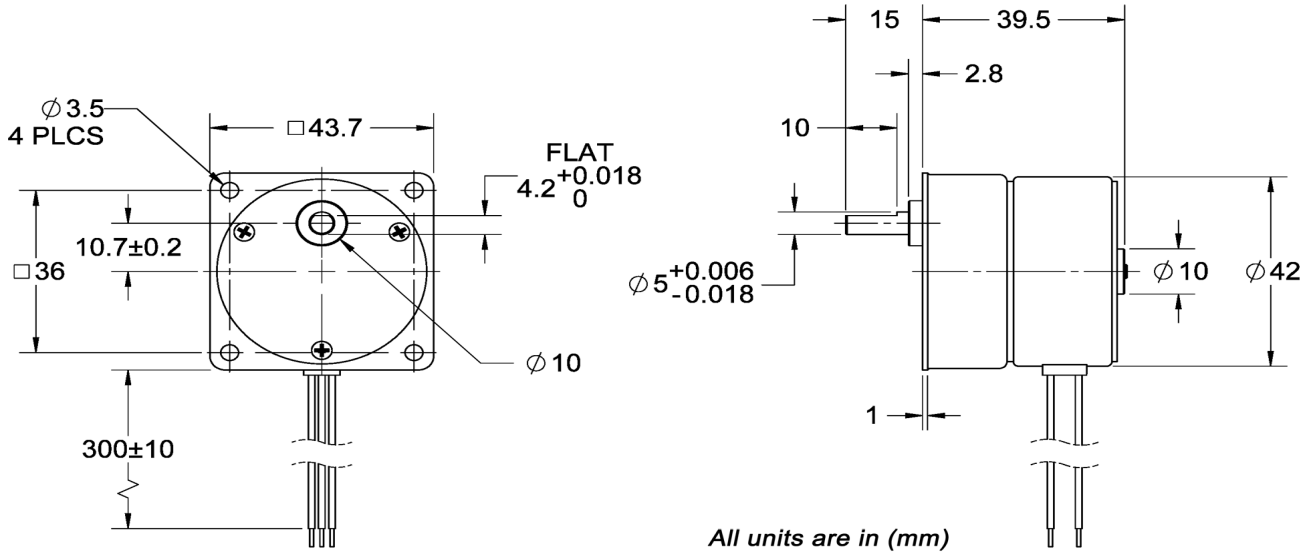
SPECIFICATIONS

Item	Specifications
Step Angle Accuracy	± 7% (full step, no load)
Resistance Accuracy	± 10%
Inductance Accuracy	± 20%
Temperature Rise	80° C Max
Ambient Temperature	-20° C to + 50°C
Insulation Resistance	100M Ω Min., 500VDC
Dielectric Strength	500VAC for one minute

Model	Step Angle (deg)	Gear Ratio	# Of Wires	Voltage (V)	Current Per Phase (A)	Holding Torque (g-cm)	Detent Torque (g-cm)
TGM42-075-40-12V-040A-10R-LW6	7.5	10:1	6	12	0.40	1100	850
TGM42-075-40-12V-040A-25R-LW6	7.5	25:1	6	12	0.40	2500	1600
TGM42-075-40-12V-040A-50R-LW6	7.5	50:1	6	12	0.40	4000	2100

DIMENSIONS

TGM42-075-40-12V-040A Series



WIRING DIAGRAM

