

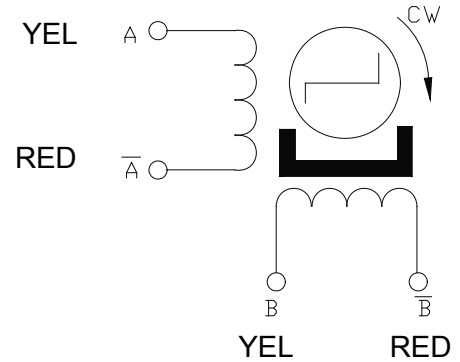
TSFCA25-150-21-023-LW4



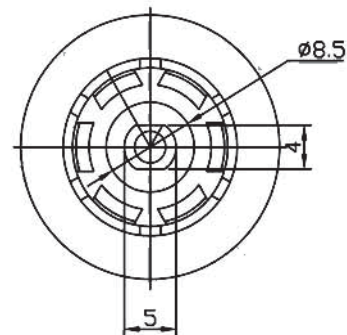
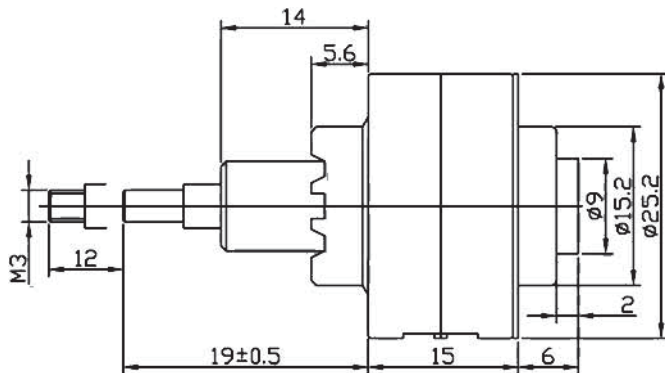
- Permanent Magnet Stepper Motor Actuator
- Precise Motion at a Low Cost
- 10 Newton of Force
- 25 mm Diameter
- Actuator Extends Out of The Motor
- Inexpensively Create Linear Travel

Specifications

Item	Specifications
Step Angle Accuracy	± 8% (full step, no load)
Resistance Accuracy	± 10%
Inductance Accuracy	± 20%
Temperature Rise	80° C Max
Ambient Temperature	-20° C to + 50° C
Insulation Resistance	100M Ω Min., 500VDC
Dielectric Strength	500VAC for one minute
Shaft Radial Play	0.06Max. (450 g-load)
Shaft Axial Play	0.08Max. (450 g-load)
Screw Type	M3



Model	Step Angle (deg)	# Of Wires	Voltage (V)	Current Per Phase (A)	Resistance Per Phase	Force (N)	Travel (mm)	Screw Type
TSFCA25-150-21-023-LW4	15	4	5	0.23	22	10	12	M3



Note: All Units in mm