

PCL451 - Manual Preset Indexer



FEATURES

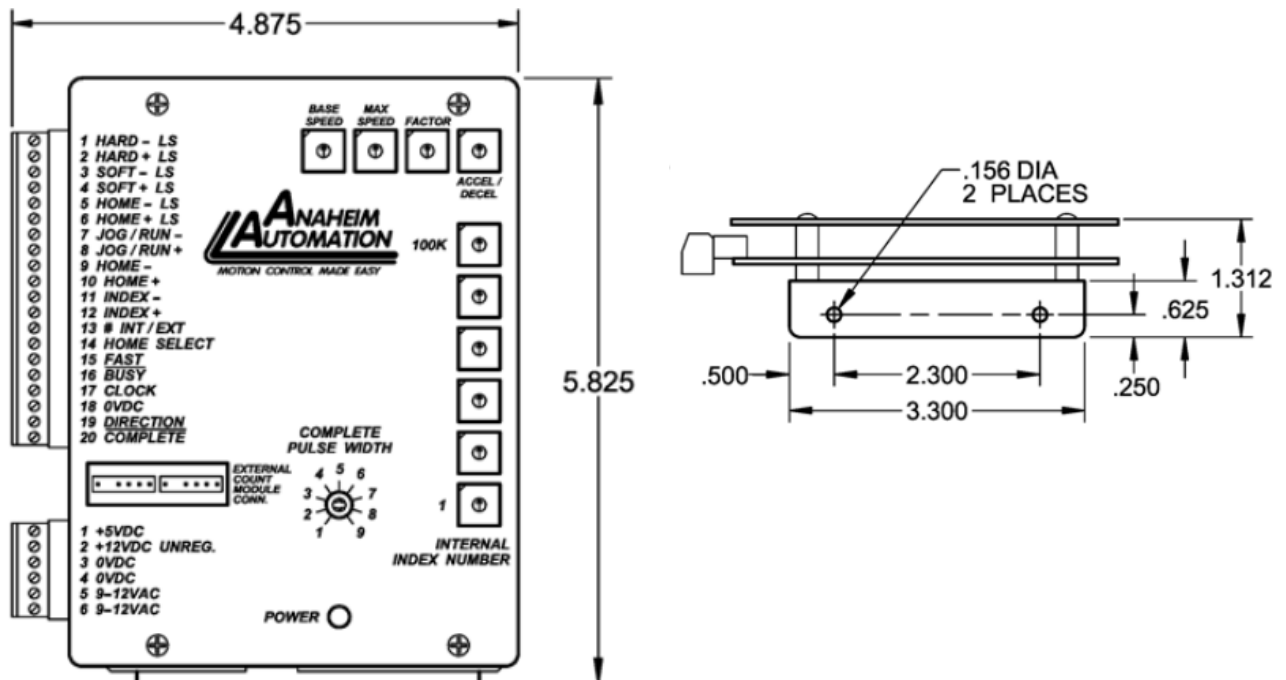
- Internal Index Count Switches
 - Pulse Rates up to 14,792 Pulses per Second
 - CW and CCW Home, Hard and Soft Limit Inputs
 - Adjustable Motion "Complete" Output
 - Motion "Busy" Output
 - Clock Pulses and Step Direction Outputs
 - CW and CCW Index Inputs
 - CW and CCW Jog/Run and Fast Job Inputs
 - Two "Go to Home Position" Modes
 - TTL-MOS Compatible
- Index on the Fly*



DESCRIPTION

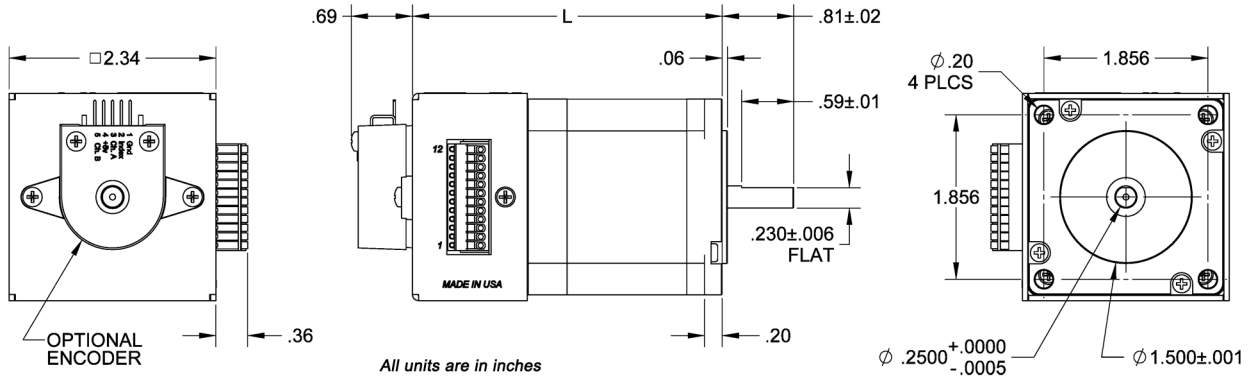
The PCL451 contains a manual preset indexer board. Figure 1 shows the general configuration and layout of a preset indexer system. The thumbwheel switch is used to set the index (number of steps or move distance) and the manual switched and/or PLC are used to initiate indexing, homing or jogging. The manual preset indexer board utilizes the PI45 preset indexer integrated circuit (IC). Available functions include home, hard and soft limit inputs, two homing modes, jog/run, fast jog and switch selectable base speed, maximum speed, and acceleration/deceleration. This board includes the necessary buffering and other circuitry for the PI45 chip that makes indexing easy. The board can be operated manually or with a programmable logic controller (PLC) to index a set of pulses determined by the internal count switches or an external count module, such as the AA1760-5 or similar device.

SPECIFICATIONS

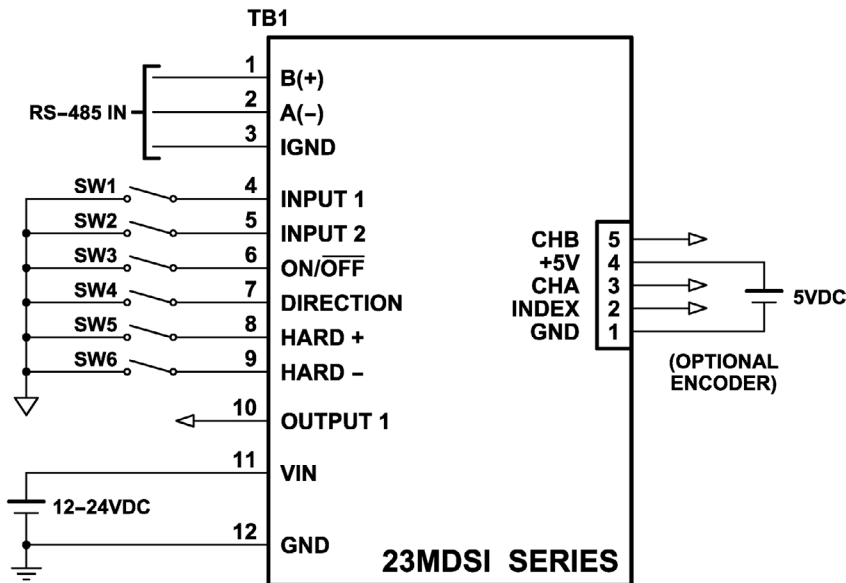


L010644

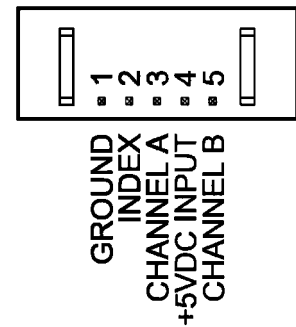
DIMENSIONS



WIRING DIAGRAM



TOP OF ENCODER FACING PLUG



SPECIFICATIONS

| | | | |
|-------------------------|-----------------------------|------------------------|------------------------------|
| Power Requirements: | 12-24VDC | Microstepping Res. | 1600 steps/rev (Div-by 8) |
| Input Voltage (Inputs): | 3.5 - 24VDC | Driver Type: | Bipolar Series |
| Step Angle Accuracy: | +/- 5% (Full Step, No Load) | Insulation Resistance: | 100M Ohm Min, 500VDC |
| Resistance Accuracy: | +/-10% | Dielectric Strength: | 500VDC for one minute |
| Inductance Accuracy: | +/-20% | Radial Play: | 0.02" at 1.0 lbs |
| Temperature Rise: | 80°C Max (2 Phases On) | End Play: | 0.08" at 1.0 lbs |
| Ambient Temperature: | -20° to +50° C | Max Radial Force: | 16.9 lbs (0.79" from flange) |
| Insulation Type: | Class B | Max Axial Force: | 3.4 lbs-Force |