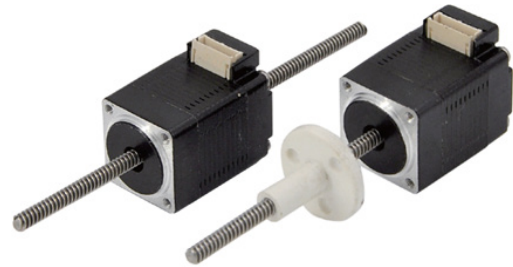


# 08AW Stepper Linear Actuators



FEATURES

- NEMA Size 08
- Motor Winding Options Available
- Custom Lead Screw Lengths
- Stepper Motor with Internal Nut
- Self Contained Package with Ball Bearings
- 1.8° Step Angle
- 0.003048" or 0.01" Per Full Step

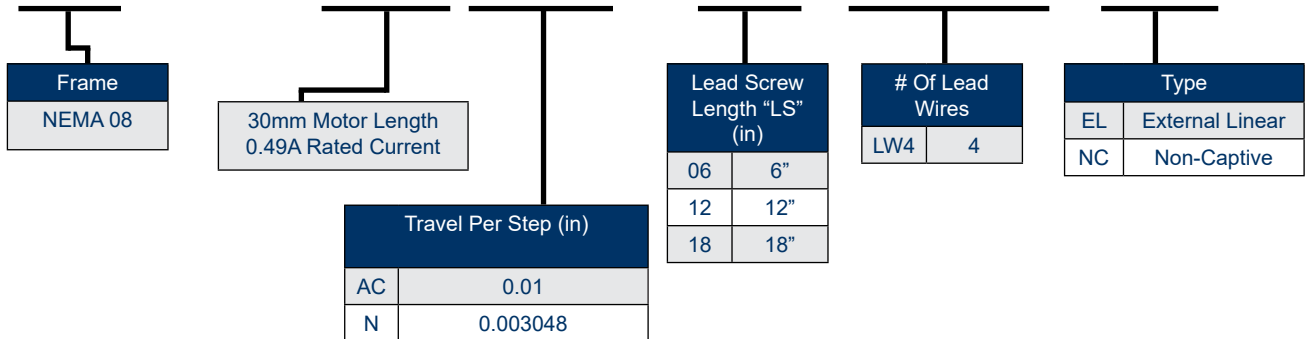


DESCRIPTION

The 08AW Linear Stepper Motors are designed to be the most versatile linear positioning motors on the market. These robust linear actuators, available in non-captive or external linear options, use a NEMA 08 hybrid stepper motor, and can be easily configured to solve difficult application problems. Integration of a lead screw with a motor saves space, eliminates components, and reduces cost. While many standard configurations are available, custom modifications for OEM customers are welcome.

BUILD A PART NUMBER

## 08AW101ACX06-LW4-EL



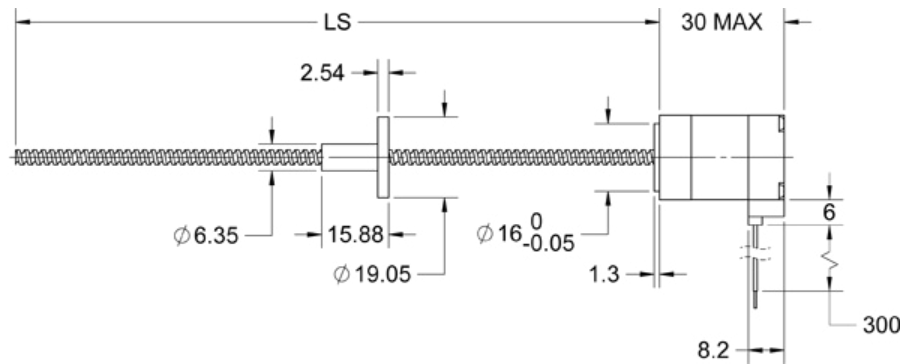
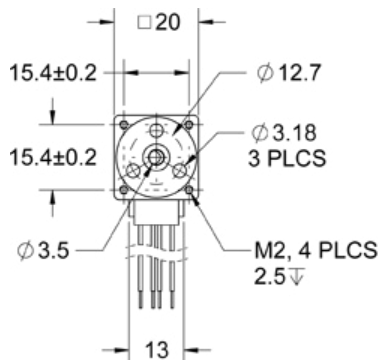
**Note:** See *Accessories* on our website for optional encoder and/or connector adders.

L011430

Motor Specifications							
Model Number	Voltage (V)	Bipolar Current (A)	Resistance (ohms)	Inductance (mH)	Number of Leads	Motor Weight (lbs)	Motor Length (mm)
08AW101	2.5	0.49	5.1 ± 10%	1.0 ± 20%	4	0.9	30

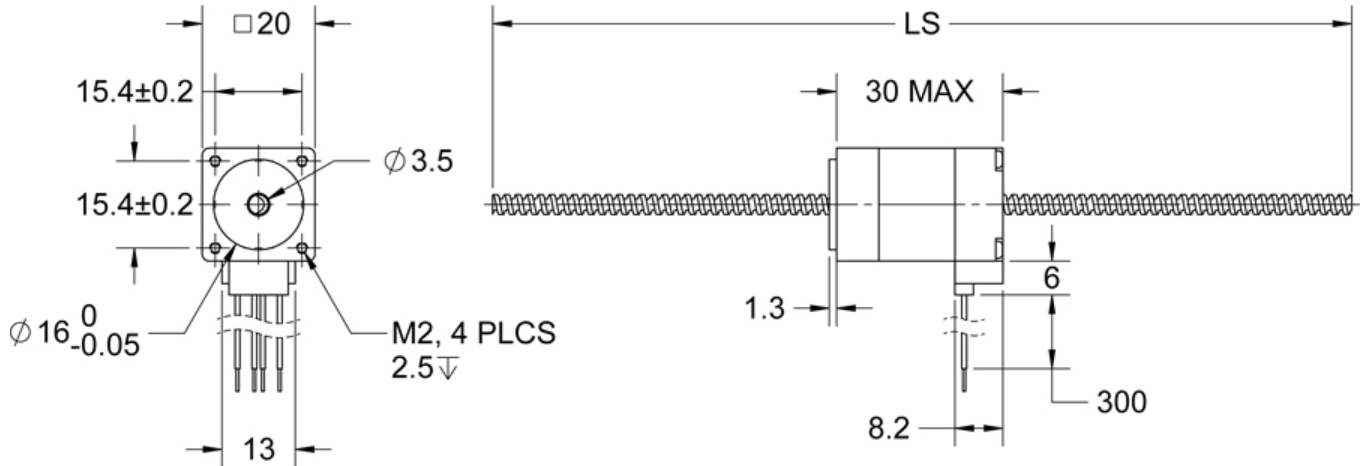
Leadscrew Thread Dimension (mm)			
Code	Diameter	Step	Lead
AC	3.5	0.01	2.00
N	3.5	0.003048	0.6096

**External Linear (EL)**



Units in mm

**Non-Captive (NC)**



Units in mm

