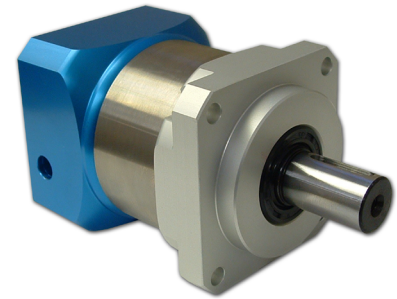


- **Backlash as low as 20 arc-min**
- **Gear Ratios from 3 to 100**
- **Available in 1 and 2 Stage Models**
- **Up to Four Precision Planet Gears**
- **Patented Precision Clamping System**
- **Lifetime Lubrication**
- **High Durability**



The GBPH-060-NS Series Planetary Gearbox offers you the precision you need at the prices you want! This Planetary Gearbox is designed with very low backlash for motion control, automation, and robotic applications requiring precise position requirements. This Planetary Gearbox will match many servos or steppers and is ideal for NEMA 23 motors. Designed with the goal of offering a cost-effective product without sacrificing quality, you will find that this Planetary Gearbox offers you an extraordinary value. Please verify all dimensions when matching a gearbox to a specific motor, as critical dimensions will vary among series and manufacturers.

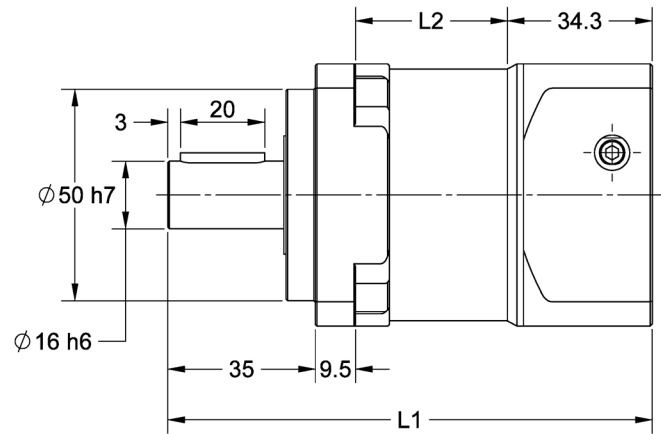
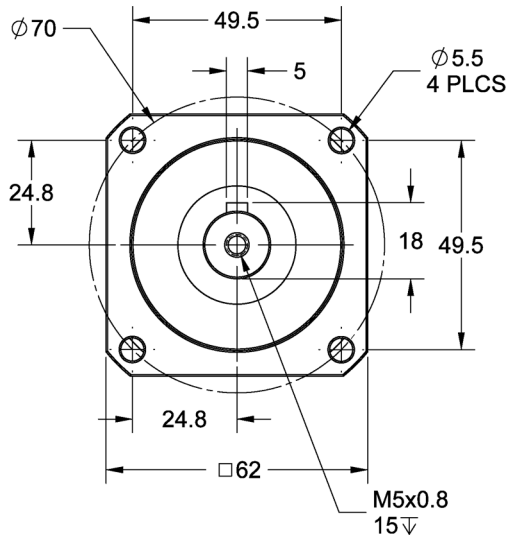
Model #	Gear Ratio (X:1)	Rated Output Torque (in-lb)	Max Output Torque (in-lb)	Rated Input Speed (RPM)	Stages	Backlash Maximum (arcmin)	L1 Length (mm)	L2 Length (mm)	Weight (lbs)
GBPH-0601-NS-003-xxxxx-yyy	3	354	1062	3300	1	10	115	46	2.65
GBPH-0601-NS-004-xxxxx-yyy	4	531	1354	3300	1	10	115	46	2.65
GBPH-0601-NS-005-xxxxx-yyy	5	487	1247	3300	1	10	115	46	2.65
GBPH-0601-NS-007-xxxxx-yyy	7	443	1195	4000	1	10	115	46	2.65
GBPH-0601-NS-010-xxxxx-yyy	10	354	1062	4000	1	10	115	46	2.65
GBPH-0602-NS-009-xxxxx-yyy	9	354	1062	4000	2	12	133	64	3.25
GBPH-0602-NS-012-xxxxx-yyy	12	354	1062	4400	2	12	133	64	3.25
GBPH-0602-NS-015-xxxxx-yyy	15	531	1354	4400	2	12	133	64	3.25
GBPH-0602-NS-016-xxxxx-yyy	16	531	1354	4400	2	12	133	64	3.25
GBPH-0602-NS-020-xxxxx-yyy	20	531	1354	4400	2	12	133	64	3.25
GBPH-0602-NS-021-xxxxx-yyy	21	354	1062	4400	2	12	133	64	3.25
GBPH-0602-NS-025-xxxxx-yyy	25	531	1354	4400	2	12	133	64	3.25
GBPH-0602-NS-028-xxxxx-yyy	28	443	1354	4400	2	12	133	64	3.25
GBPH-0602-NS-030-xxxxx-yyy	30	354	1062	4400	2	12	133	64	3.25
GBPH-0602-NS-035-xxxxx-yyy	35	443	1195	4400	2	12	133	64	3.25
GBPH-0602-NS-040-xxxxx-yyy	40	534	1354	4400	2	12	133	64	3.25
GBPH-0602-NS-049-xxxxx-yyy	49	425	850	4400	2	12	133	64	3.25
GBPH-0602-NS-050-xxxxx-yyy	50	487	1247	4800	2	12	133	64	3.25
GBPH-0602-NS-070-xxxxx-yyy	70	443	1195	5500	2	12	133	64	3.25
GBPH-0602-NS-100-xxxxx-yyy	100	443	1195	5500	2	12	133	64	3.25

Part numbers are based on the specifications of the motor being matched to the gearbox.

-xxxxx denotes motor pilot, -yyy denotes input shaft diameter.

Refer to *Matching the Gearbox to Your Motor* on the first page for more information, or contact an Anaheim Automation Applications Engineer for assistance.

L010453



All units are in (mm)

Radial Load:	189 lbs - Force	Axial Load:	136 lbs - Force
Operating Temperature:	0° to 80°C	Noise Level:	68 dB
Efficiency:	3~10: ≥ 97; 12~100: ≥ 94	IP Rating:	IP65

Matching the Gearbox to Your Motor

To ensure compatibility with the gearbox, it is important to consider that the motor specifications are within the listed ranges below. Motor Bolt Circle Diameter, Input Shaft Diameter, Input Shaft Length, Pilot Thickness, Pilot Diameter and Hole Diameter are required in order to match the motor with the appropriate gearbox, and will be used to determine the complete part number. Please see the Gearbox Mounting form downloadable from our website under *Support - Technical Support - Installations* for more information on required motor data.

Parameter	Range
Bolt Hole Circle Diameter	46mm to 76mm
Input Shaft Diameter	8mm to 14mm
Input Shaft Length	30mm Max
Pilot Thickness	3.5mm Max
Pilot Diameter	30mm to 50mm
Hole Diameter	Any Size