

EMJ 80mm Series Servo Motor



- **Medium Inertia**
- **Peak Torque up to 300% of rated Torque**
- **Peak Current up to 300% of Rated Current**
- **Speed of up to 4500 rpm**
- **2500 ppr Incremental Encoder attached**
- **Totally Enclosed, Self-cooled**
- **Power ratings from 750 to 1000 watts**
- **Optional Brake and Oil Seal**
- **Long Life and Highly Reliable**
- **Neodymium-Iron-Boron magnets (NdFeB)**



DESCRIPTION

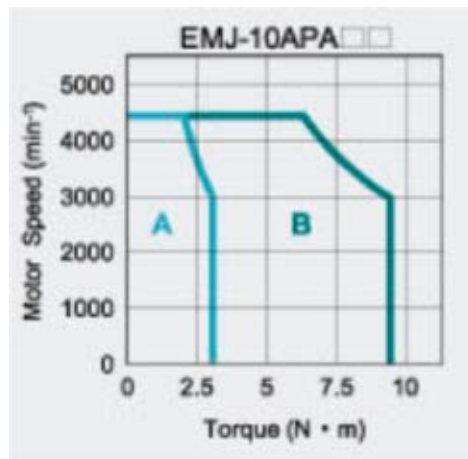
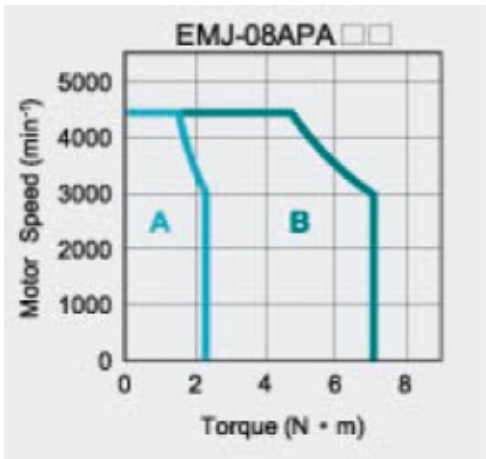
Anaheim Automation's all Digital AC Servo motors offers a simple solution to any servo application. These AC Servo motors come equipped with a 2500 counts per revolution encoder. They come in two different stack lengths to provide you with just the right torque for your application. Our AC Servo motors provide industrial motion control applications with medium inertia to attain a great combination of speed and positioning capability.

Anaheim Automation offers you a low cost, high quality, easy to use AC Servo motor and driver combination. We pride ourselves with our great customer service, and professional application assistance. These AC Servo motors offer a cost effective solution to many velocity and position controlled application.

SPECS

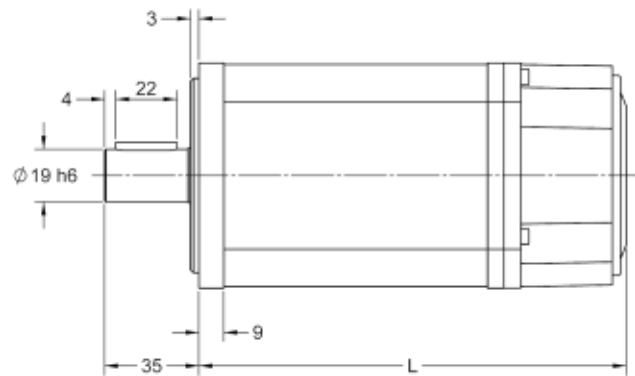
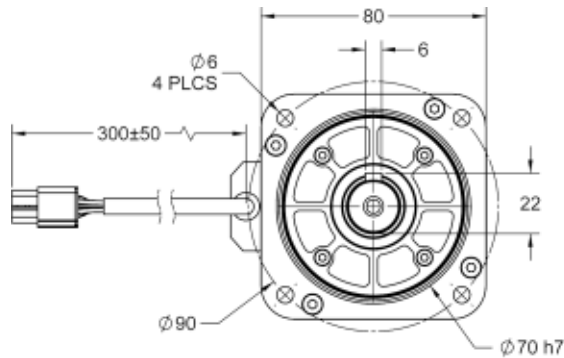
Model #	Rated Torque (oz-in)	Rated Power (Watts)	Max Speed (rpm)	Rated Speed (rpm)	Rated Current (Arms)	Inertia (oz-in-sec ²)	Electric Time Constant T _E (ms)	Mechanical Time Constant T _M (ms)	Back EMF Voltage K _E (V/krpm)	Torque Constant K _T (oz-in/A)	Resistance (ohms)
EMJ-08APAxx	338	750	4500	3000	4.0	0.0191	11.0	1.183	39	86.8	2
EMJ-10APAxx	450	1000	4500	3000	5.3	0.0246	9.9	1.239	38.4	86.8	1.6

TORQUE Vs SPEED



A: Continuous Working Area
B: Repeatedly Working Area

L010533



All dimensions are in millimeters

Brake option adds 40mm to L. Contact factory for new part number.

Model #	L
EMJ-08APAxx	191
EMJ-10APAxx	211

All Dimensions are in mm.

Encoder Connector Specification

Plug:
172169-1 (AMP)

Pin:
170359- 3(AMP)



Pin No.	Signal	Color
1	A+	Blue
2	B+	Green
3	C+	Yellow
4	A-	Blue/Black
5	B-	Green/Black
6	C-	Yellow/Black
7	PG5V	Red
8	PG0V	Black
9	FG	Shield

Motor Connector Specification

Plug:
172167-1 (AMP)

Pin:
170360-1 (AMP)



Pin No.	Signal	Color
1	U	Red
2	V	Blue
3	W	White
4	FG	Green/Yellow

Brake Connector Specification

Plug:
172165-1 (AMP)

Pin:
170360-1 (AMP)



Pin No.	Signal	Color
1	B1	White
2	B2	Blue

Power Requirement: 220Vac	Vibration: 49m/s ²	Running Air Pressure: 86-106 kPa
Insulation Class: F	Ambient Humidity: 20 to 80% RH	Insulation Voltage Endurance: AC 1800V, 50Hz, 1min
Ambient Temp: 0° to 40° C	IP Rating: IP65	Insulation Impedance: Not Less than 50M Under Normal Conditions
Running Temp: -25° to 40° C	Running Humidity: Not more than 90%, under 25°C	