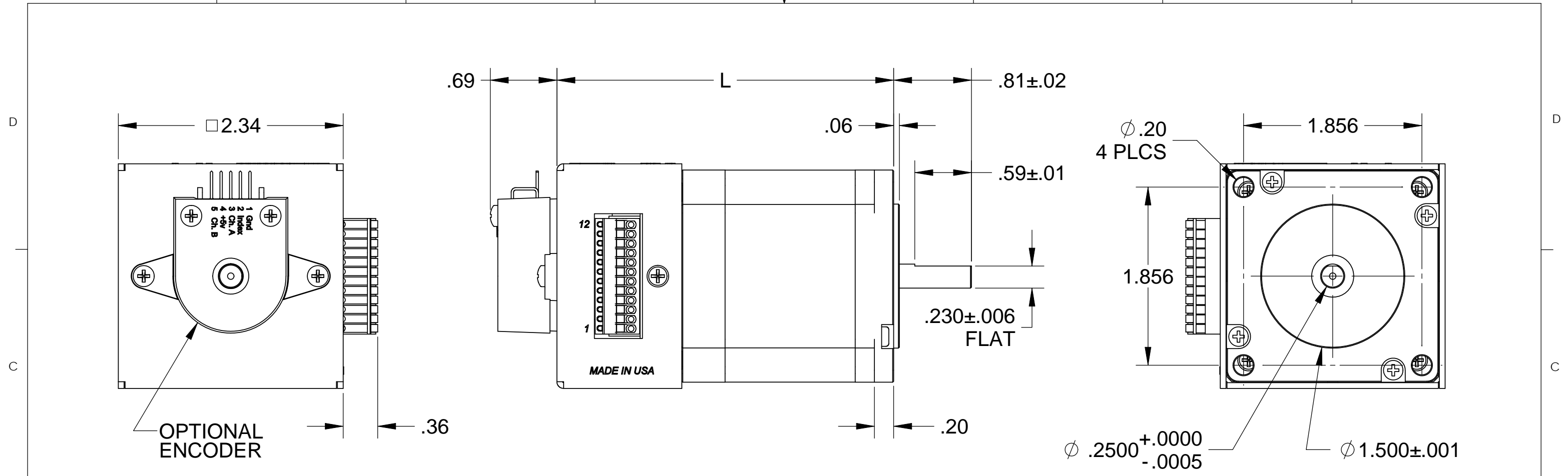


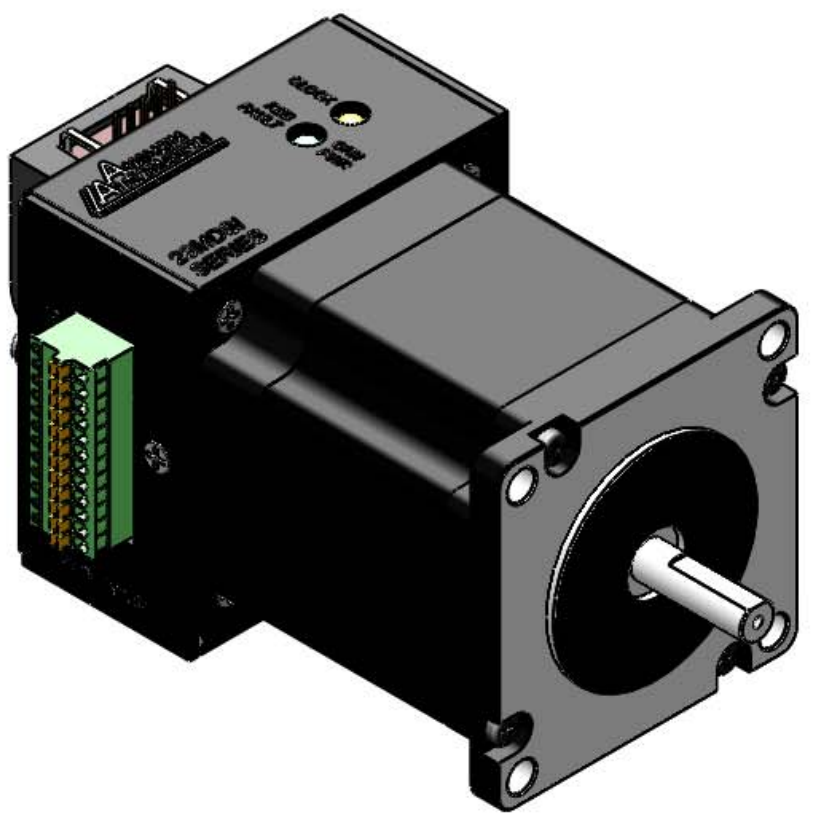
8 7 6 5 4 3 2 1




OPTIONAL ENCODER

MADE IN USA

PART NUMBER	LENGTH (L)
23MDSI106X-XX-XX	3.504
23MDSI206X-XX-XX	4.292
23MDSI306X-XX-XX	5.828



PROPRIETARY AND CONFIDENTIAL
 THE INFORMATION CONTAINED IN THIS DRAWING IS THE SOLE PROPERTY OF ANAHEIM AUTOMATION INC. ANY REPRODUCTION IN PART OR AS A WHOLE WITHOUT THE WRITTEN PERMISSION OF ANAHEIM AUTOMATION INC. IS PROHIBITED.

ANAHEIM AUTOMATION INC, 910 E. ORANGEFAIR LANE ANAHEIM, CA 92801 (714) 992-6990						
UNLESS OTHERWISE SPECIFIED:		NAME	DATE	TITLE: SPEC DRAWING, DIMENSIONS 23MDSI SERIES		
DIMENSIONS ARE IN INCHES		DRAWN	TDR			2-25-09
TOLERANCES:		CHECKED				
FRACTIONAL ±		ENG APPR.				
ANGULAR: MACH ± .50 BEND ±		MFG APPR.			Q.A. COMMENTS:	
TWO PLACE DECIMAL ± .01						
THREE PLACE DECIMAL ± .005						
INTERPRET GEOMETRIC TOLERANCING PER:				SIZE DWG. NO. REV B AA4534		
MATERIAL				SCALE: 1:1 WEIGHT: SHEET 1 OF 1		
NEXT ASSY	USED ON	FINISH				
APPLICATION		DO NOT SCALE DRAWING				

8 7 6 5 4 3 2 1