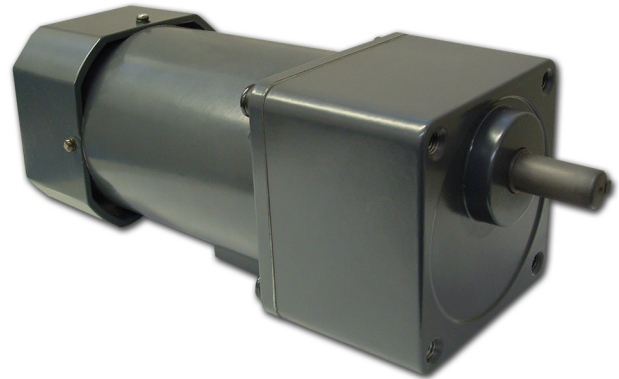


FEATURES

- AC Gearmotor
- 90mm Motor Diameter
- Up to 1416 oz-in of Torque
- Fourteen Gear Ratios from 3.6 to 180
- Can be Customized for
 - Winding Current
 - Shaft Options
 - Cables and Connector Adders



DESCRIPTION

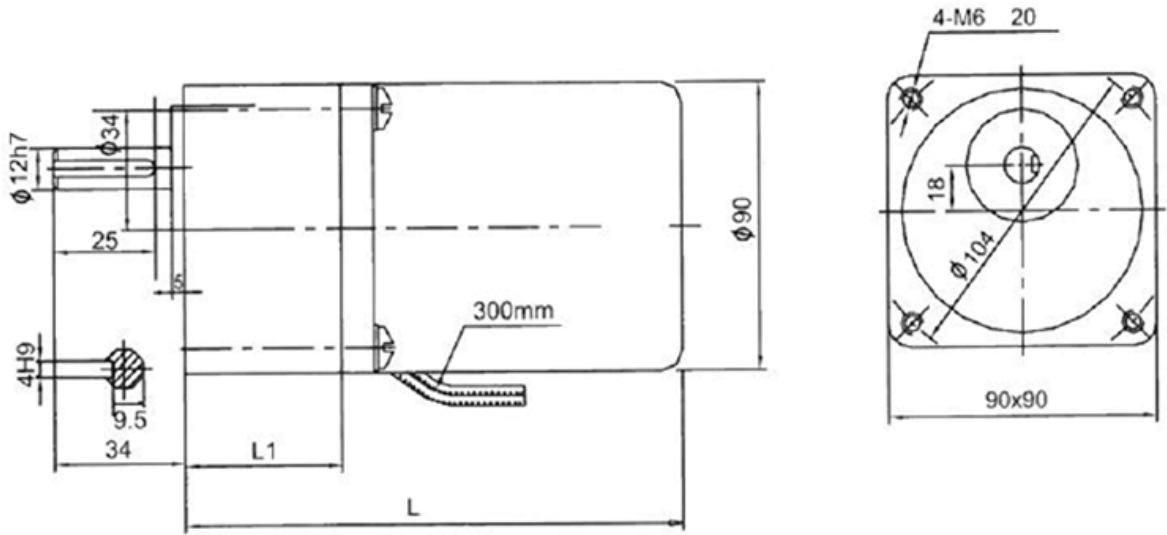
Anaheim Automation’s AC Gearmotors come in a variety of starting torques, ending torques and current. The ACWGM040-090-105 AC Gearmotor has a starting torque of 31 oz-in. This series is available in fourteen gear ratios ranging from 3.6 to 180. These motors run at up to 500 RPM with single phase 110 VAC, 60Hz. The ACWGM040-90-105 offers torque ranges up to 1416 oz-in. Other models are available to provide even higher torque ranges. Custom options for the AC Gearmotor line include optimizing the maximum speed, torque, current, voltage, cabling, wiring, connectors, and shaft modifications.

SPECIFICATIONS

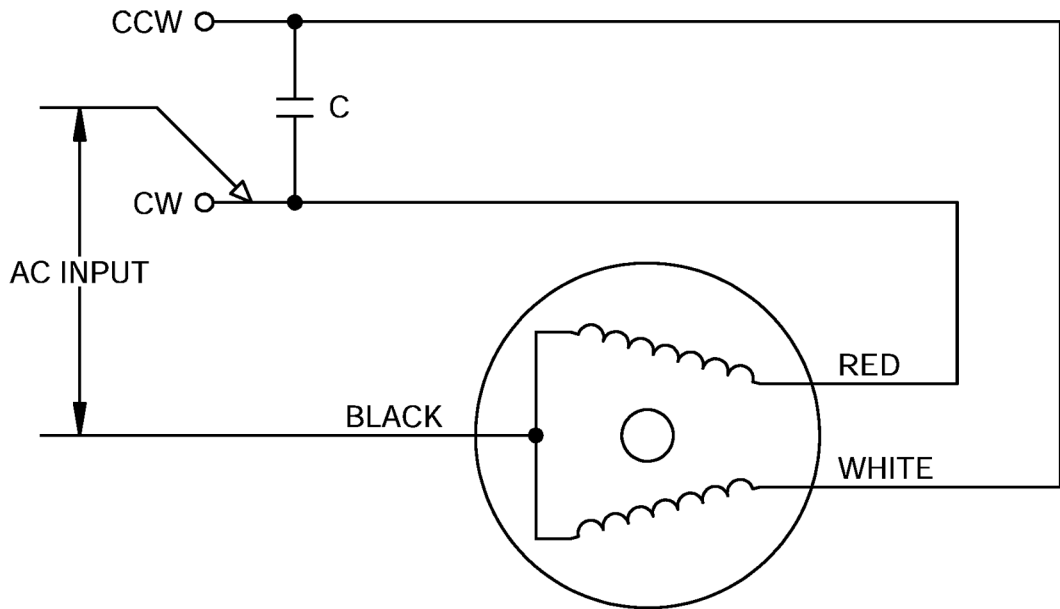
Model #	Input Voltage (VAC)	Gear Ratio	Power (W)	Current (A)	Motor Speed (RPM)	Start Torque (oz-in)	Rated Torque (oz-in)	Motor Diameter (mm)	Motor Length (mm)	Weight (lbs)
ACWGM040-090-105-110-1550-R3.6	110	3.6	40	0.68	500	31.15	100.54	90	150	3.08
ACWGM040-090-105-110-1550-R6	110	6	40	0.68	300	31.15	168.52	90	150	3.08
ACWGM040-090-105-110-1550-R9	110	9	40	0.68	200	31.15	252.07	90	150	3.08
ACWGM040-090-105-110-1550-R10	110	10	40	0.68	180	31.15	283.22	90	150	3.08
ACWGM040-090-105-110-1550-R15	110	15	40	0.68	120	31.15	420.59	90	150	3.08
ACWGM040-090-105-110-1550-R18	110	18	40	0.68	100	31.15	458.82	90	165	3.12
ACWGM040-090-105-110-1550-R20	110	20	40	0.68	90	31.15	509.81	90	165	3.12
ACWGM040-090-105-110-1550-R30	110	30	40	0.68	60	31.15	759.04	90	165	3.12
ACWGM040-090-105-110-1550-R36	110	36	40	0.68	50	31.15	910.56	90	165	3.12
ACWGM040-090-105-110-1550-R40	110	40	40	0.68	45	31.15	1019.61	90	165	3.12
ACWGM040-090-105-110-1550-R60	110	60	40	0.68	30	31.15	1416.12	90	165	3.12
ACWGM040-090-105-110-1550-R90	110	90	40	0.68	20	31.15	1416.12	90	165	3.12
ACWGM040-090-105-110-1550-R120	110	120	40	0.68	15	31.15	1416.12	90	165	3.12
ACWGM040-090-105-110-1550-R180	110	180	40	0.68	10	31.15	1416.12	90	165	3.12

L010493

DIMENSION



WIRING INFORMATION



SPECIFICATIONS

Capacitor: $\mu\text{F}/\text{VAC}$	10 / 250	Phase:	Single-Phase
Frequency:	60Hz	AC Motor Type:	Reversible
Radial Play:	99.01lb - Force @ 20mm	Operating Temperature	10°F to 131°F
Thrust Play:	22.05lb - Force	Humidity:	90%