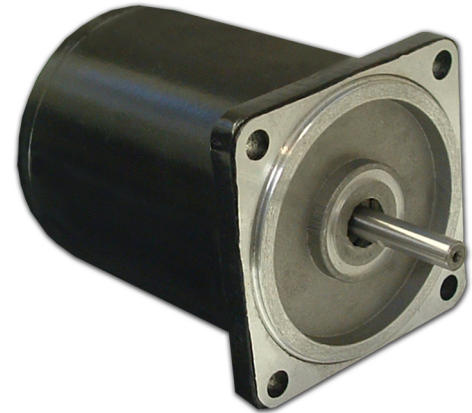


ACW025-080-085 - Single Phase AC Motor



FEATURES

- **Single Phase AC Motor**
- **Torque Up to 27.6 oz-in**
- **80mm Motor Diameter**
- **25 Watts of Power**
- **Can be Customized for**
 - **Winding Current**
 - **Shaft Options**
 - **Cables and Connectors**



DESCRIPTION

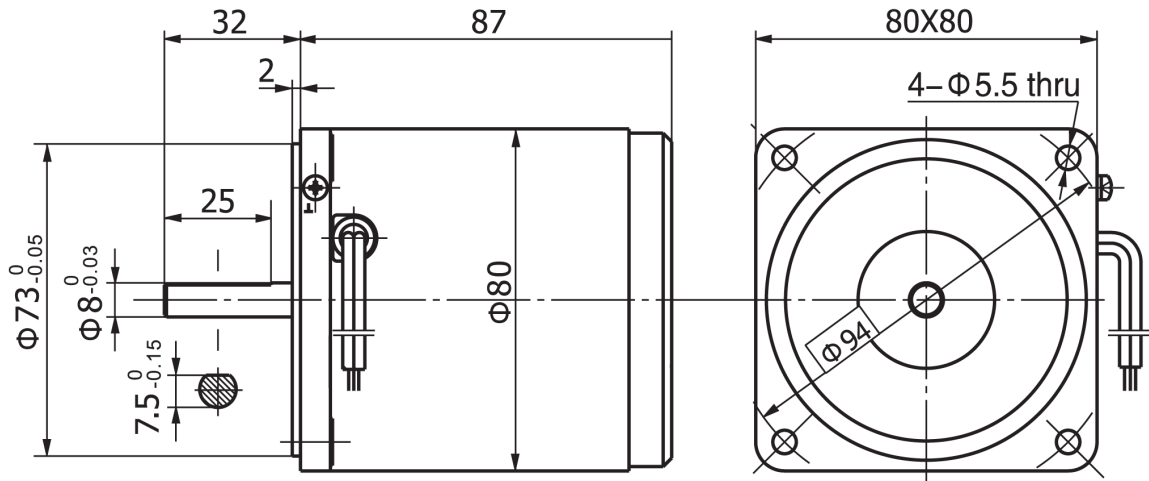
Anaheim Automation's single phase AC motors come in a variety of starting torques, rated torques and current. The ACW025-080-085 AC Motor has a starting torque of 15.6 oz-in. They run up to 1250 RPM with single phase 110VAC, 50Hz. The ACW025-080-085 offers torque ranges up to 27.6 oz-in. Other models are also available a gearbox to provide even higher torques. Custom options for the Single Phase AC motor line include optimizing the maximum speed, torque, current, voltage, cabling, wiring, connectors, and shaft modifications.

SPECIFICATIONS

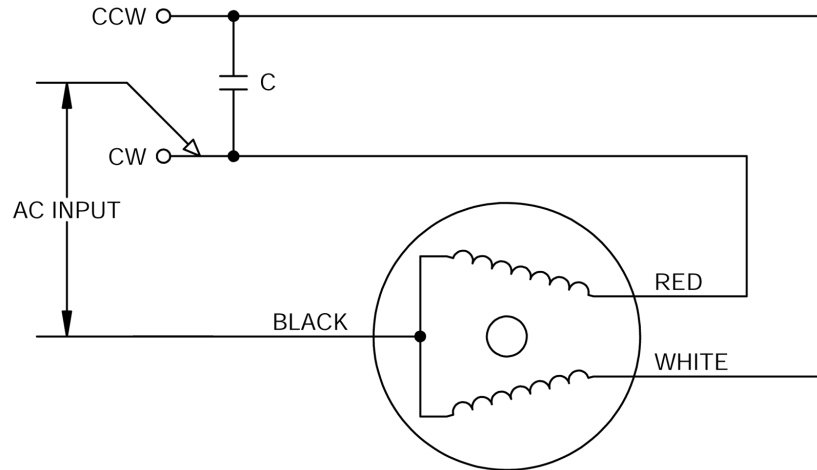
Model #	Input Voltage (VAC)	Power (W)	Current (A)	Motor Speed (RPM)	Start Torque (oz-in)	Rated Torque (oz-in)	Motor Diameter (mm)	Motor Length (mm)	Weight (lbs)
ACW025-080-085-110-1500	110	25	0.7	12500	15.6	27.6	80	85	3.44

L010503

DIMENSIONS



WIRING DIAGRAM



SPECIFICATIONS

Capacitor: uF/VAC	6 / 250	Phase:	Single-phase
Frequency:	50Hz	AC Motor Type:	Reversible
Radial Play:	55.12 lb - Force @ 20mm	Operating Temperature:	10° F to 131°F
Thust Play:	11.02lb - Force	Humidity:	90%