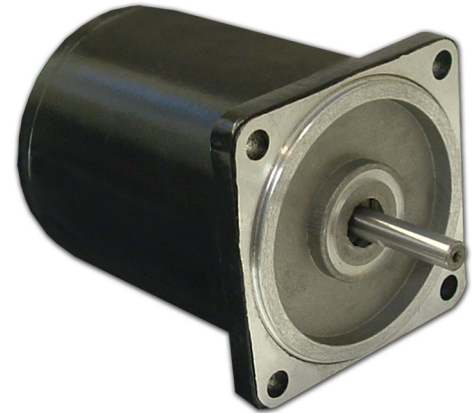


# ACW040-090-105 - Single Phase AC Motor



## FEATURES

- **Single Phase AC Motor**
- **Torque Up to 42 oz-in**
- **90mm Motor Diameter**
- **40 Watts of Power**
- **Can be Customized for**
  - **Winding Current**
  - **Shaft Options**
  - **Cables and Connectors**



## DESCRIPTION

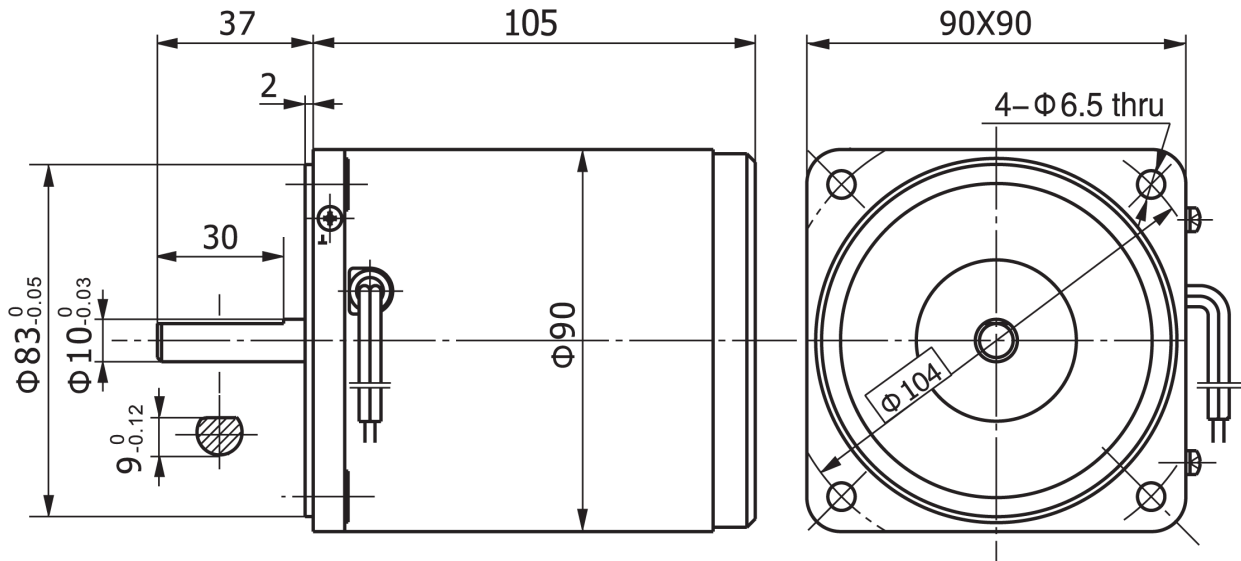
Anaheim Automation's single phase AC motors come in a variety of starting torques, rated torques and current. The ACW040-090-105 AC motor has a starting torque of 42.48 oz-in. They run at up to 1390 RPM with single phase 110VAC, 50Hz. The ACW040-090-105 offers torque ranges up to 42.48 oz-in. Other models are also available a gearbox to provide even higher torques. Custom options for the Single Phase AC motor line include optimizing the maximum speed, torque, current, voltage, cabling, wiring, connectors, and shaft modifications.

## SPECIFICATIONS

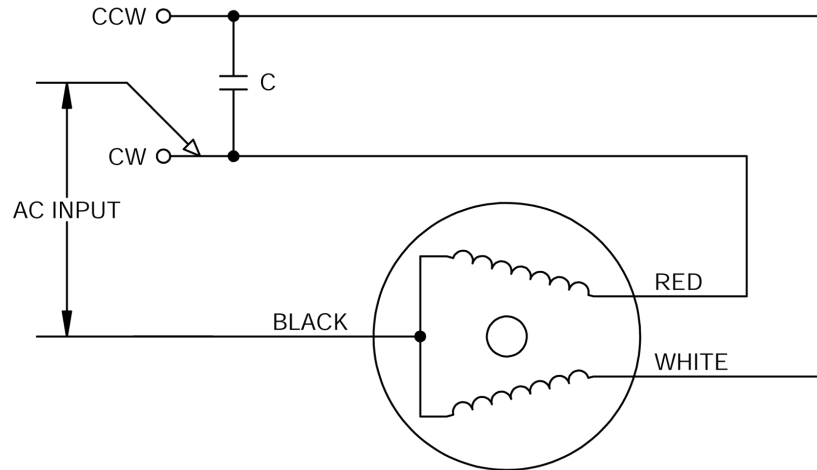
Model #	Input Voltage (VAC)	Power (W)	Current (A)	Motor Speed (RPM)	Start Torque (oz-in)	Rated Torque (oz-in)	Motor Diameter (mm)	Motor Length (mm)	Weight (lbs)
ACW040-090-125-110-1550	110	40	0.68	1300	42.48	41.6	90	105	5.16

L010504

DIMENSIONS



WIRING DIAGRAM



SPECIFICATIONS

Capacitor: uF/VAC	12 / 250	Phase:	Single-phase
Frequency:	50Hz	AC Motor Type:	Reversible
Radial Play:	99.01 lb - Force @ 20mm	Operating Temperature:	10° F to 131°F
Thust Play:	22.05lb - Force	Humidity:	90%