

PSEPM 200W - Power Supply

FEATURES

- **Universal AC Input/Full Range**
- **Built-in Active PFC Function, PF>0.93**
- **Short Circuit/Overload/Over Voltage/Over Temperature Protection**
- **Built-In Cooling Fan**
- **Built-in Fan Speed Control**
- **Fixed Switching Frequency at PFC:67KHz PWM:134 KHz**
- **CE Certified**



DESCRIPTION

Anaheim Automation's PSEPM series offers versatility and functionality. These power supplies provide up to 200 Watts of power at voltages of 24 and 48VDC with a universal input range of 85-264VAC. Integrated into the power supply is a PFC function, PF>0.93 as well as a built-in constant current limiting circuit, so the unit draws less current and provides up to 85% efficiency. Each power supply is equipped with an LED indicator for power on in addition to short-circuit, overload, over voltage, and over temperature protection features; the option of remote ON-OFF control is also available. In addition to flexibility and cost-efficiency, the PSEPM series offers high reliability and a long lifetime.

SPECIFICATIONS

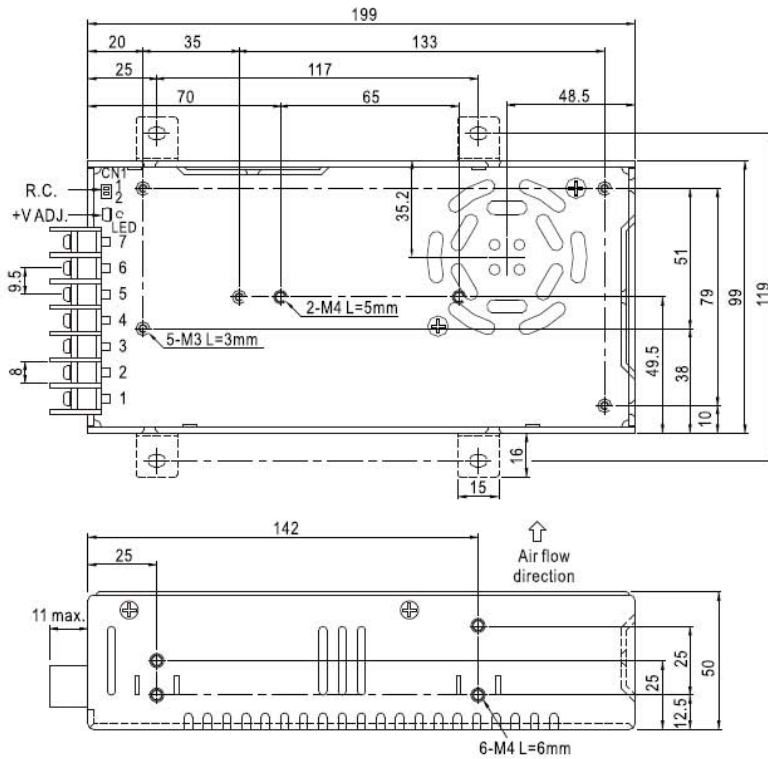
INPUT							
Voltage Range	Voltage Range	Frequency Range	Power Factor	Efficiency	AC Current	Inrush Current (Cold Start)	Leakage Current
85~264 VAC	120~370 VDC	47~63 Hz	PF>0.93/230 VAC	85%	3.5A/115VAC 1.7A/230VAC	50A/230VAC	<2mA/240VAC

OUTPUT											
Part Number	DC Voltage	Rated Current (A)	Current Range (A)	Rated Power (W)	Ripple & Noise	Voltage Adj. Range (V)	Voltage Tolerance	Line Regulation	Load Regulation	Setup, Rise Time	Hold Time
PSEPM-0200-1-24V-8.4A	24V	8.4	0~8.4	201.6	150mVp-p	22.8~26.4	±1.0%	±0.5%	±0.5%	600ms, 40ms at full load	20ms at full load
PSEPM-0200-1-48V-4.2A	48V	4.2	0~4.2	201.6	250mVp-p	45.6~52.8	±1.0%	±0.5%	±0.5%	600ms, 40ms at full load	20ms at full load

L010850

DIMENSIONS

Units: mm



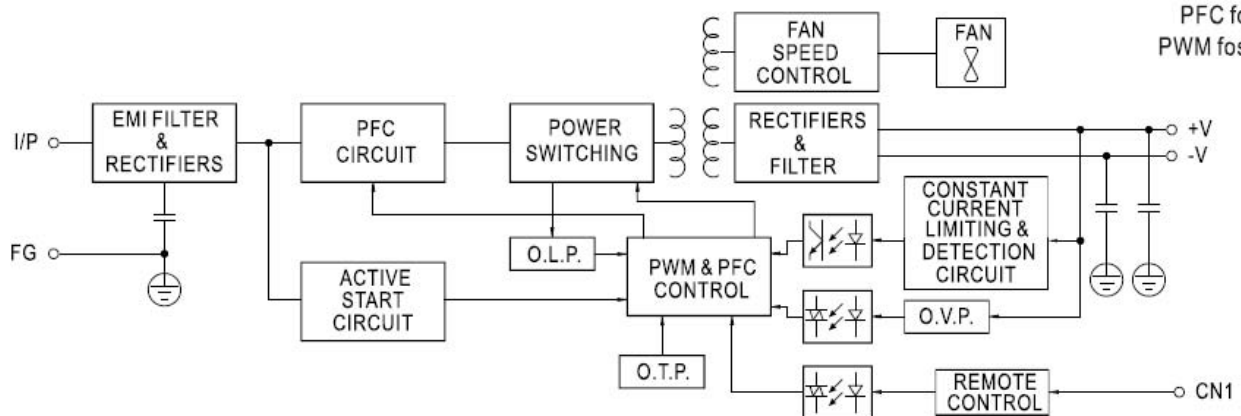
Terminal Pin No. Assignment

Pin No.	Assignment	Pin No.	Assignment
1	AC/L	4,5	DC OUTPUT -V
2	AC/N	6,7	DC OUTPUT +V
3	FG		

Remote ON/OFF(CN1): JST S2B-XH or equivalent(optional)

Pin No.	Assignment	Mating Housing	Terminal
1	RC+	JST XHP or equivalent	JST SXH-001T-P0.6 or equivalent
2	RC-		

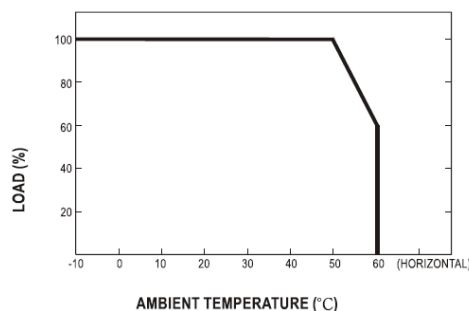
BLOCK DIAGRAM



PFC fosc : 67KHz
PWM fosc : 134KHz

DERATING GRAPHS

Derating Curve



Output Derating VS Input Voltage

