

PSESM 200W - Power Supply

FEATURES

- AC Input Range Selectable By Switch
- Short Circuit/Overload/ Over Voltage/ Over Temperature Protection
- Cooling By Free Air Convection
- Withstand 300VAC Surge Input For 5 Seconds
- Built-in Constant Current Limiting Circuit
- LED Indicator for Power On
- 100% Full Load Burn-in Test
- Fixed Switching Frequency at 90KHz



DESCRIPTION

Anaheim Automation's PSESM series is a cost-effective choice for your power supply requirements. This power supply provides up to 200Watts of power at voltages of 24, 36 and 48VDC with a switch selectable input range of 90-132VAC to 180-264VAC. Each power supply is equipped with an LED indicator for power on in addition to short-circuit, overload, and over voltage protection features. Compact in size and affordably priced, they provide up to 89% efficiency, high reliability, and a long lifetime.

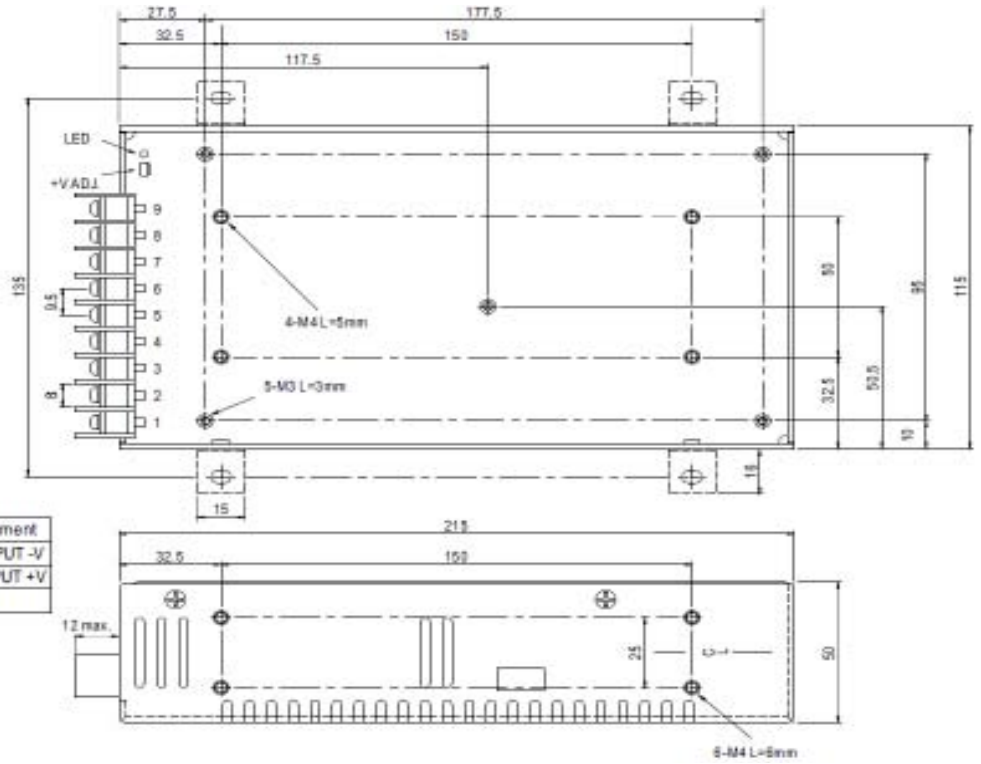
SPECIFICATIONS

INPUT						
Voltage Range (VAC)	Voltage Range (VDC)	Frequency Range	Efficiency	AC Current	Inrush Current (Cold Start)	Leakage Current
90~132 VAC/ 180~264 VAC selected by switch	254~370	47~63 Hz	87-89%	4.5A/115VAC 2.5A/230VAC	40A/115VAC 55A/230VAC	<3.5mA/240VAC

OUTPUT											
Part Number	DC Voltage	Rated Current (A)	Current Range (A)	Rated Power (W)	Ripple & Noise	Voltage Adj. Range (V)	Voltage Tolerance	Line Regulation	Load Regulation	Setup, Rise Time	Hold Time
PSESM-0200-1-24V-8.8A	24V	8.8	0~8.8	211.2	150mVp-p	20~26.4	±1.0%	±0.5%	±0.5%	1000ms, 50ms/230 VAC	20ms/230 VAC
PSESM-0200-1-36V-5.9A	36V	5.9	0~5.9A	212.4	240mVp-p	32~40	±1.0%	±0.5%	±0.5%	1000ms, 50ms/230 VAC	20ms/230 VAC
PSESM-0200-1-48V-4.4A	48V	4.4	0~4.4	211.2	240mVp-p	41~56	±1.0%	±0.5%	±0.5%	1000ms, 50ms/230 VAC	20ms/230 VAC

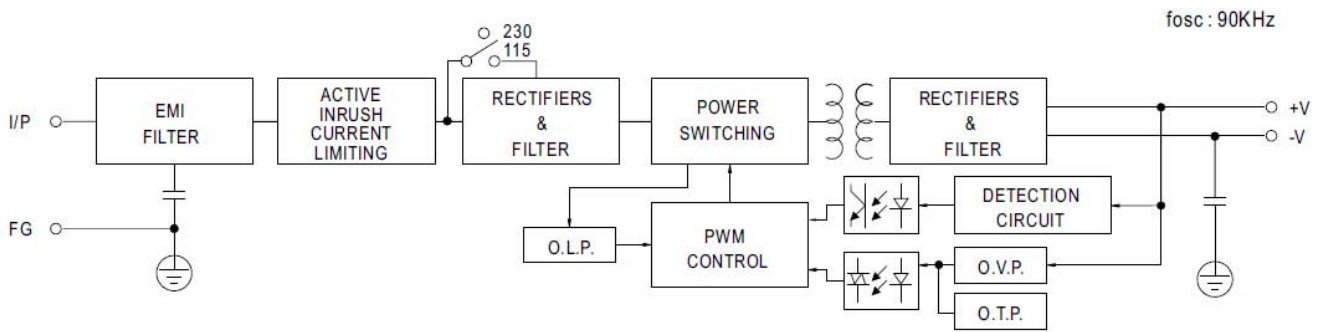
L011044

Units: mm

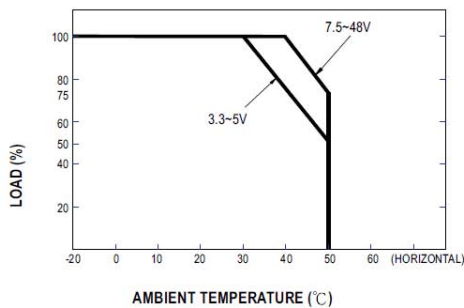


Terminal pin number assignment:

Pin No.	Assignment	Pin No.	Assignment
1	AC/L	4-6	DC OUTPUT -V
2	AC/N	7-9	DC OUTPUT +V
3	FG \perp		



■ Derating Curve



■ Static Characteristics

