

PSEPM 320W - Power Supply

FEATURES

- **Universal AC Input/Full Range**
- **Built-in Active PFC Function, PF>0.95**
- **Short Circuit/Overload/Over Voltage/Over Temperature Protection**
- **Forced Air Cooling By Built-in DC Fan**
- **Built-in Fan Speed Control**
- **Fixed Switching Frequency at 100KHz**
- **CE Certified**



DESCRIPTION

Anaheim Automation's PSEPM series offers versatility and functionality. These power supplies provide up to 320 Watts of power at voltages of 24, 36 and 48VDC with a universal input range of 88-264VAC. Integrated into the power supply is a PFC function, PF>0.93 as well as a built-in constant current limiting circuit, so the unit draws less current and provides up to 89% efficiency. Each power supply is equipped with an LED indicator for power on in addition to short-circuit, overload, over voltage, and over temperature protection features; the option of remote ON-OFF control is also available. In addition to flexibility and cost-efficiency, the PSEPM series offers high reliability and a long lifetime.

SPECIFICATIONS

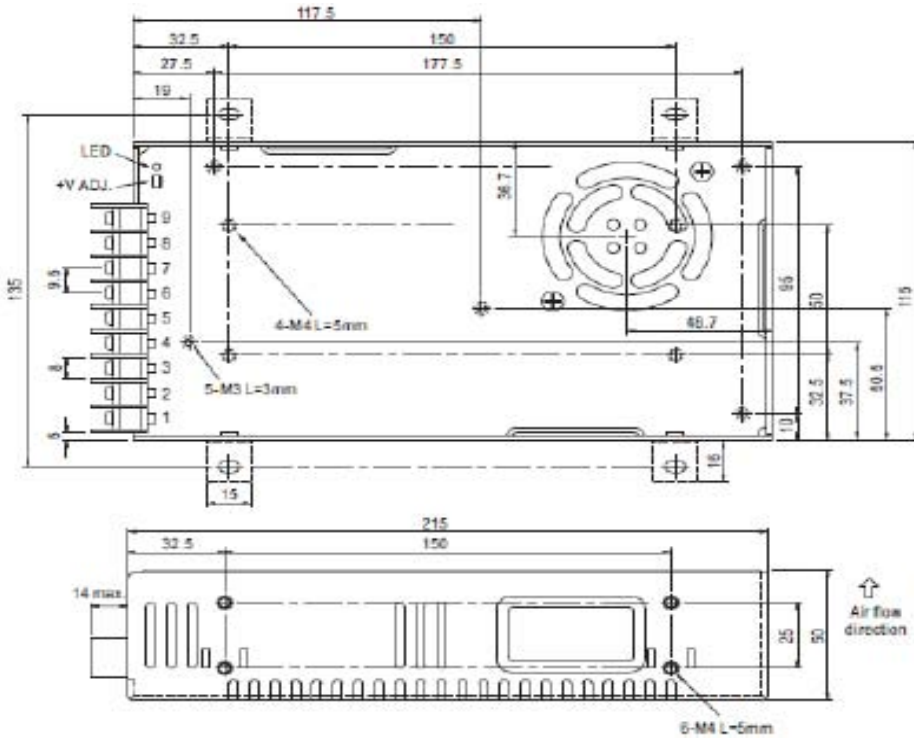
INPUT							
Voltage Range	Voltage Range	Frequency Range	Power Factor	Efficiency	AC Current	Inrush Current (Cold Start)	Leakage Current
88~264 VAC	124~370 VDC	47~63 Hz	PF>0.93/230 VAC	87-89%	5A/115VAC 2.5A/230VAC	20A/115VAC 40A/230VAC	<1mA/240VAC

OUTPUT											
Part Number	DC Voltage	Rated Current (A)	Current Range (A)	Rated Power (W)	Ripple & Noise	Voltage Adj. Range (V)	Voltage Tolerance	Line Regulation	Load Regulation	Setup, Rise Time	Hold Time
PSEPM-0320-1-24V-13.0A	24V	13	0~13	312	150mVp-p	20~26.4	±1.0%	±0.2%	±0.5%	800ms, 50ms/230 VAC	16ms/230 VAC
PSEPM-0320-1-36V-8.8A	36V	8.8	0~8.8	316.8	220mVp-p	32.4~39.6	±1.0%	±0.2%	±0.5%	800ms, 50ms/230 VAC	16ms/230 VAC
PSEPM-0320-1-48V-6.7A	48V	6.7	0~6.7	321.6	240mVp-p	41~56	±1.0%	±0.2%	±0.5%	800ms, 50ms/230 VAC	16ms/230 VAC

L011048

Units: mm

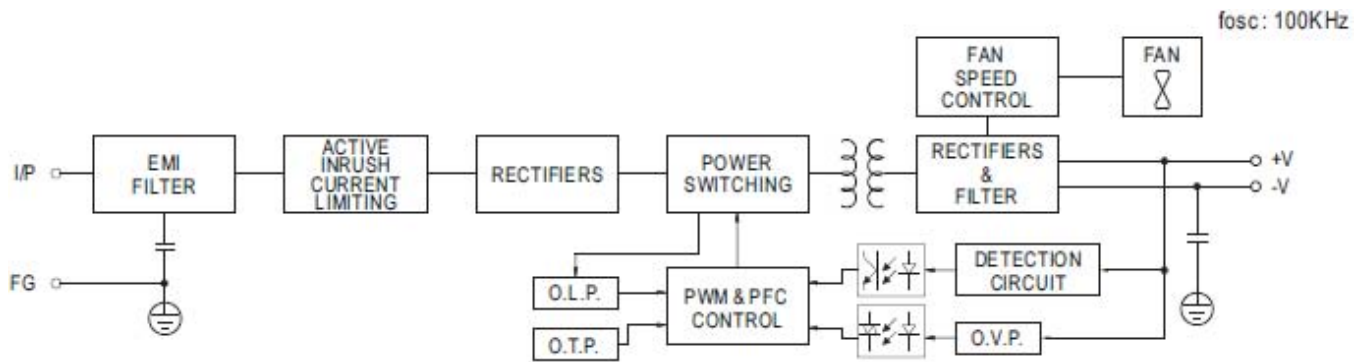
DIMENSIONS



Terminal Pin No. Assignment:

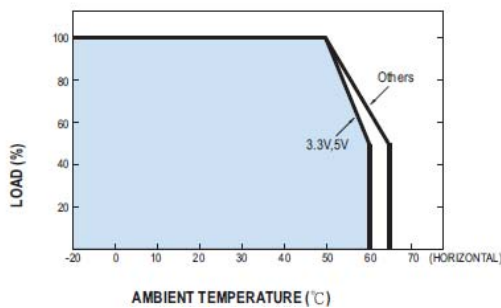
Pin No.	Assignment	Pin No.	Assignment
1	AC/L	4-6	DC OUTPUT -V
2	AC/N	7-9	DC OUTPUT +V
3	FG		

BLOCK DIAGRAM



DERATING GRAPHS

Derating Curve



Static Characteristics

