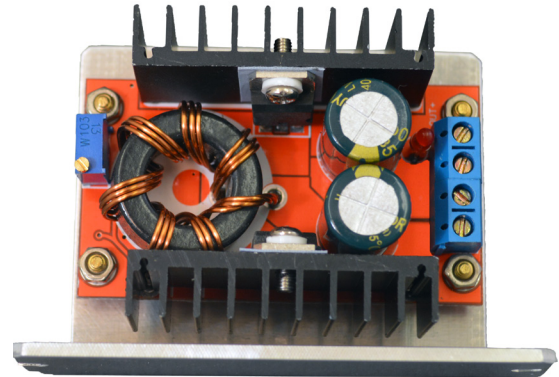


# PSA-12VB24V6A Voltage Boost

FEATURES

- **Non-isolated Voltage Boost Module**
- **Input Voltage: 12VDC**
- **Output Voltage: 24VDC**
- **Input Current: 10A (16A with air flow)**
- **Peak Output Current: 4A (6A with air flow)**
- **Power: 144W**
- **Low Cost, High Reliability**
- **High Efficiency, Low Working Temperature**
- **100% Full Load Burn-In Test**
- **No Short Circuit/Over Voltage Protection**  
(Please install fuses and protection circuits at Input)
- **Compact Size, Light Weight**



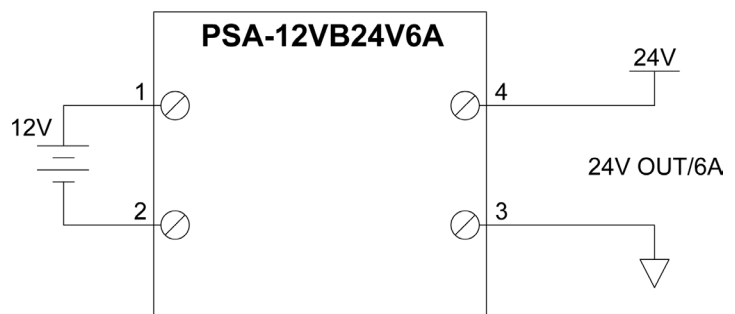
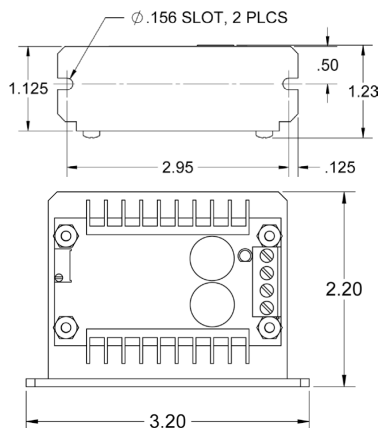
DESCRIPTION

The PSA-12VB24V6A DC-DC voltage boost module has a power capability of 144 watts and conversion efficiency of 94%. This voltage boost module is efficient to run Anaheim Automation lines of low current microsteppers, brushless and programmable controllers. With a compact size of 3.20" x 2.20" x 1.25" mounted on an "L Bracket", the PSA-12VB24V6A can be mounted just about anywhere. The module is rated for an industrial operating temperature, -40°C to +85°C. This module is not protected against over current or reverse polarity. If a voltage other than 12V to 24V is needed, contact Anaheim Automation for custom tuning of the input and output.

SPECIFICATIONS

Voltage Input Range (VDC)	Voltage Output Range (VDC)	Output Current (Max)	Rated Power	Efficiency	Output Ripple	No Load Current	Voltage Regulation	Dynamic Response Speed
10-32V	12-35V	6A	144W	85%	2%	25mA	+/- 1%	5% 200uS

DIMENSIONS / HOOKUP



#L011467