

# PSESMB 350W - Power Supply

FEATURES

- AC Input Range Selectable By Switch
- Short Circuit/Overload/ Over Voltage/ Over Temperature Protection
- Forced Air Cooling By Built-in DC Fan
- Withstand 300VAC Surge Input For 5 Seconds
- Built-in Cooling Fan ON-OFF Control
- Built-in Constant Current Limiting Circuit
- LED Indicator for Power On
- 100% Full Load Burn-in Test
- 5G Anti-Vibration Capability
- No Load Power Consumption Less Than 0.75W
- Operating Temperature Range: -25°C to 70°C With Full Load



DESCRIPTION

Anaheim Automation's PSESMB series is a cost-effective choice for your power supply requirements. This power supply provides up to 350Watts of power at voltages of 24, 36 and 48VDC with a switch selectable input range of 90-132VAC to 180-264VAC. Each power supply is equipped with an LED indicator for power on in addition to short-circuit, overload, and over voltage protection features. Compact in size and affordably priced, they provide up to 89% efficiency, high reliability, and a long lifetime.

SPECIFICATIONS

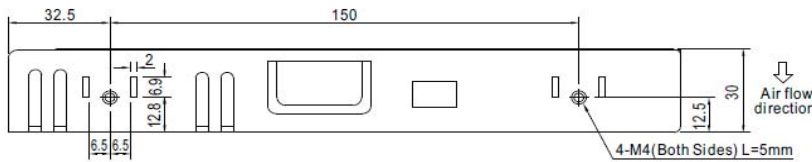
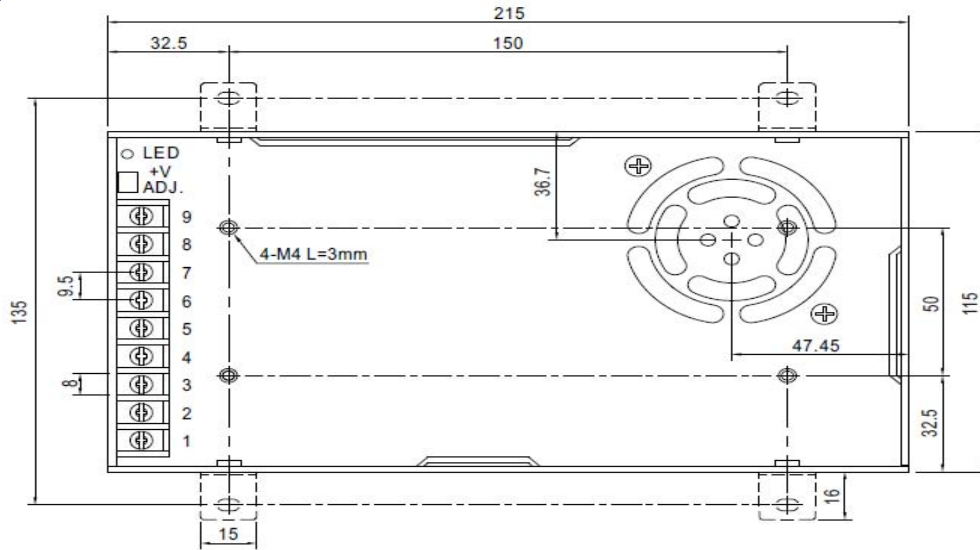
INPUT						
Voltage Range (VAC)	Voltage Range (VDC)	Frequency Range	Efficiency	AC Current	Inrush Current (Cold Start)	Leakage Current
90~132/ 180~264 VAC selected by switch	240~370	47~63 Hz	88-89%	6.8A/115VAC 3.4A/230VAC	60A/115VAC 60A/230VAC	<2mA/240VAC

OUTPUT											
Part Number	DC Voltage	Rated Current (A)	Current Range (A)	Rated Power (W)	Ripple & Noise	Voltage Adj. Range (V)	Voltage Tolerance	Line Regulation	Load Regulation	Setup, Rise Time	Hold Time
PSESMB-0350-1-24V-14.6A	24V	14.6	0~14.6	350.4	150mVp-p	21.6~28.8	±1.0%	±0.5%	±0.5%	1500ms, 50ms/230 VAC	16ms/230 VAC
PSESMB-0350-1-36V-9.7A	36V	9.7	0~9.7	349.2	200mVp-p	32.4~39.6	±1.0%	±0.5%	±0.5%	1500ms, 50ms/230 VAC	16ms/230 VAC
PSESMB-0350-1-48V-7.3A	48V	7.3	0~7.3	350.4	200mVp-p	43.2~52.8	±1.0%	±0.5%	±0.5%	1500ms, 50ms/230 VAC	16ms/230 VAC

L011591

DIMENSIONS

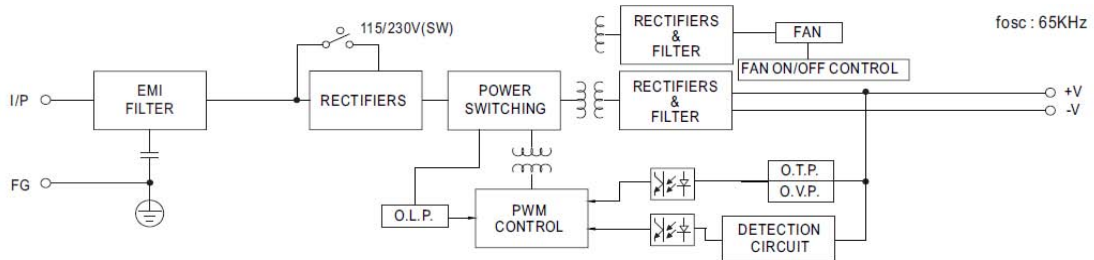
Units: mm



Terminal Pin No. Assignment :

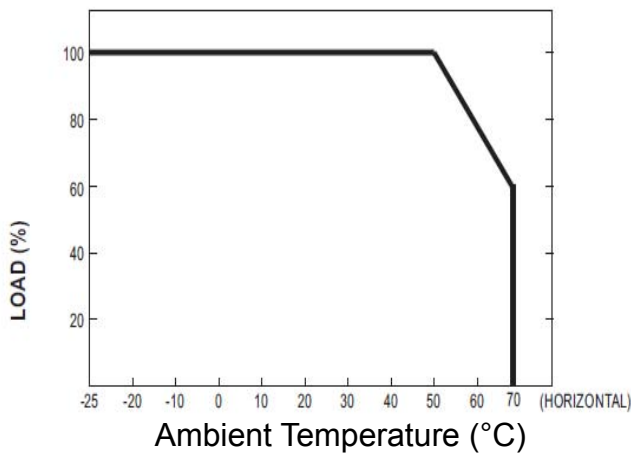
Pin No.	Assignment	Pin No.	Assignment
1	AC/L	4~6	DC OUTPUT -V
2	AC/N	7~9	DC OUTPUT +V
3	FG $\perp$		

BLOCK DIAGRAM



DERATING GRAPHS

Derating Curve



Static Characteristics

