

BDE-82-156 Series

FEATURES

- **Brush DC Motor**
- **Designed for high volume applications**
- **Up to 110 oz-in of continuous torque**
- **82 mm diameter**
- **Custom versions available**



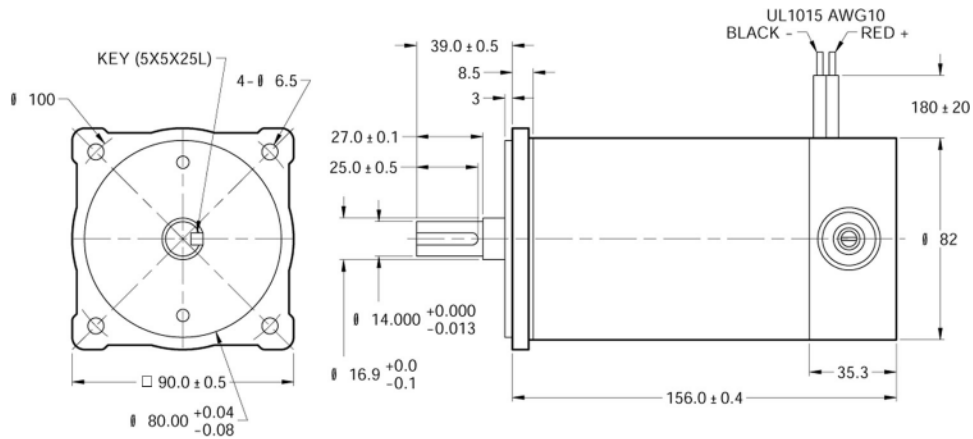
DESCRIPTION

The Brush DC Motor was designed for high volume OEM applications with low cost being the primary objective. This Brush DC Motor can output up to 110 oz-in of continuous torque. The custom options for the Brush DC Motor line includes optimizing the maximum speed, torque, current, voltage, cabling, wiring, connectors, and shaft modifications.

SPECIFICATIONS

Model #	Nominal (Volts DC)	Speed No Load (RPM)	Current No Load (Amps)	Rated Output Power (W)	Rated Torque (oz-in)	Rated Speed (RPM)	Rated Current (Amps)	Length (mm)	Weight (Lbs)	Shaft Diameter (mm)
BDE-82-156-24V-5100	24	5100	4	374	110	2600	70	156	7.30	14

L010475



*All units are in mm

DIMENSION

SPECIFICATIONS

Insulation Resistance:	500VDC50M ohm min
Insulation Classification:	F Class
Hi-Pot:	500VAC/1mA/1sec
Direction of Rotation:	CW
Noise (Background 45dB):	65dB Max