

FEATURES

- **DC Brush Motor**
- **50mm Diameter**
- **Up to 11.33 oz-in of Torque**
- **Designed for High-Volume Applications**
- **Custom Versions Available**
- **ISO & TS Automotive Certified**



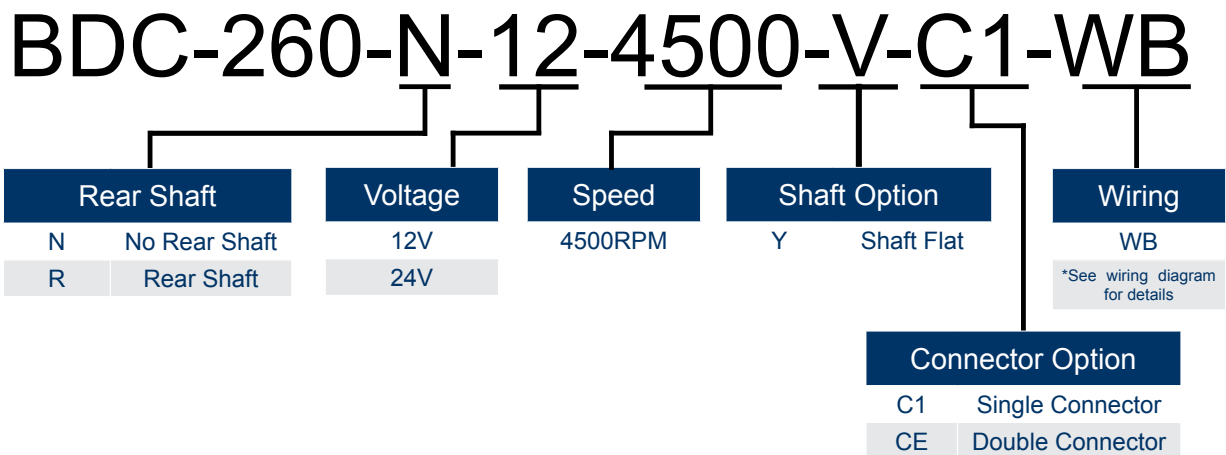
DESCRIPTION

Anaheim Automation's DC motors provide a cost effective solution for your application. The BDC-260-N series can be used in many applications such as robotics and medical applications. The BDC-260-N series has strong permanent magnets to provide up to 11.33 oz-in of torque. At rated voltage, this motor will run up to 4500RPM. Cooling vents on the motor casing are placed optimally for internal cooling of the motor.

SPECIFICATIONS

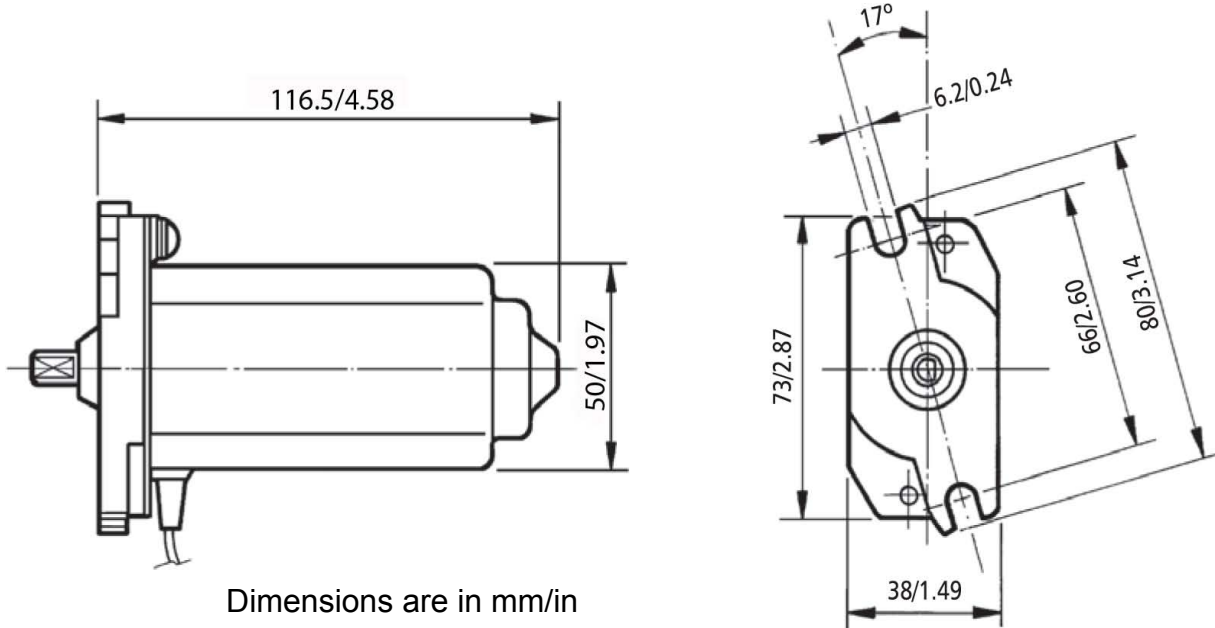
Model #	No load Speed (RPM)	Rated Speed (RPM)	Rated Current (A)	Starting Current (A)	Rated Torque (oz-in)	Starting Torque (oz-in)	Rated Voltage (VDC)	Approx Weight (lbs)
BDC-260-N-12-4500-V-C1-WB	4500	4000	6	24	11.33	56.6	12	1.87
BDC-260-N-24-4500-V-CE-WB	4500	4000	3	12	11.33	56.65	24	1.87

ORDERING INFORMATION

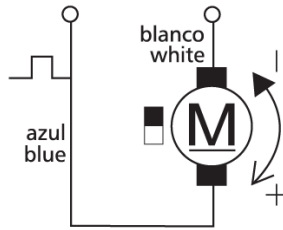
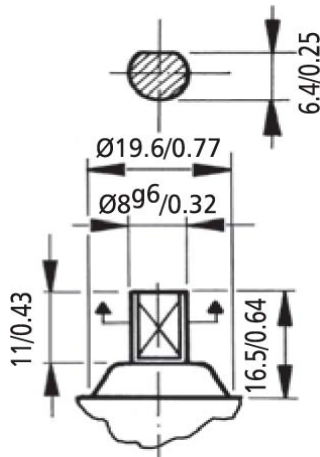


L011089

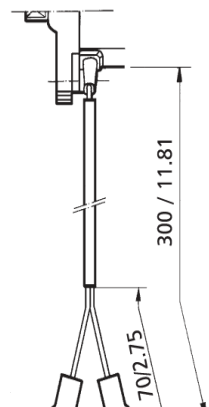
## DIMENSIONS



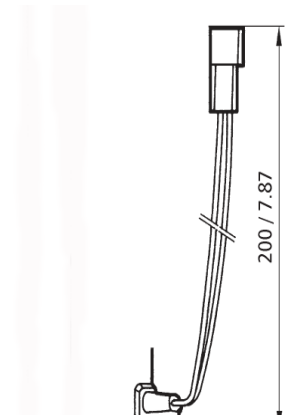
Dimensions are in mm/in



WB



C1



CE

## TORQUE CURVE

