

BDSG-60-75 Series



FEATURES

- **DC Brush Spur Gearmotor**
- **Designed for High Volume Applications**
- **Up to 275 oz-in of Continuous Torque**
- **60mm Motor Diameter**



DESCRIPTION

The BDSG-60-75 Series was designed for high volume OEM applications with low cost being the primary objective. Available in gear ratios from 3 to 75, the BDSG-60-75 Series gearmotor offers continuous torque of up to 275 oz-in. These motors are fully reversible. The BDSG-60-75 Series gearmotors are a cost-effective solution to manage motion control in many rotary applications including medical, semiconductor, pumps, robotics, CNC, or any situation when a low cost Brush DC Spur gearmotor is needed.

SPECIFICATIONS

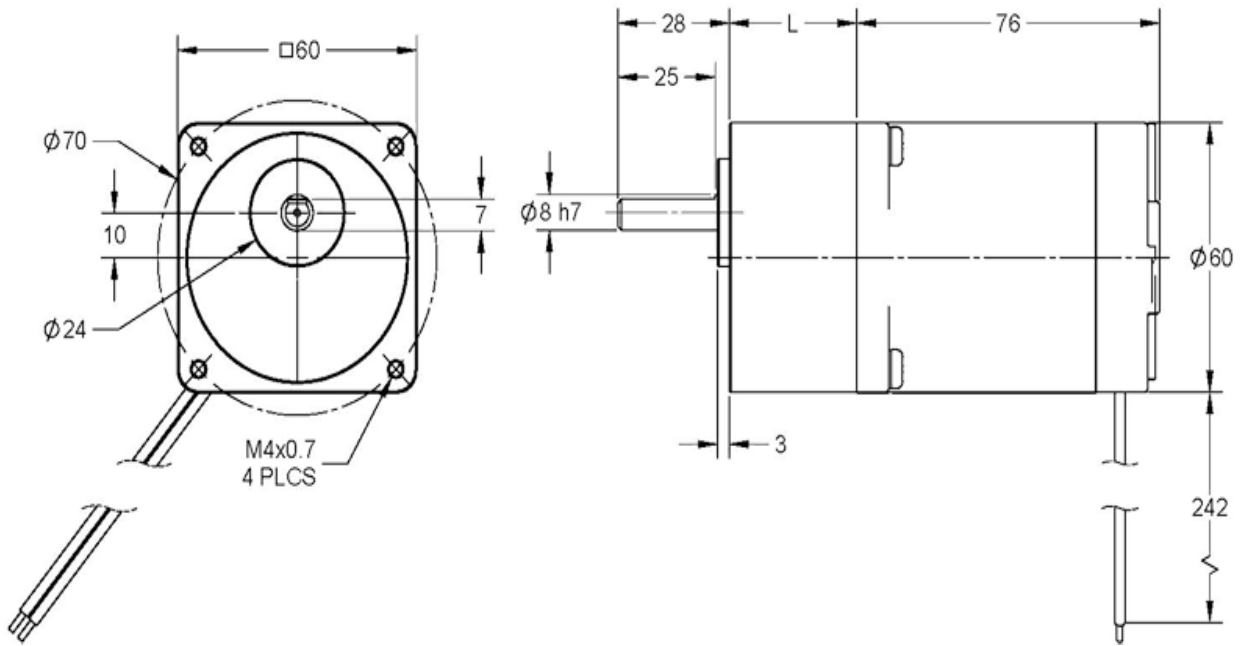
Motor Specs	No Load Speed (RPM)	Rated Voltage (V)	No Load Current (A)	Output Power (W)	Rated Current (A)	Stall Current (A)
	3000	24	0.4	10	1.1	4

Model #	Gear Ratio	No Load Speed (RPM)	Rated Speed (RPM)	Rated Torque (oz-in)	Peak Torque (oz-in)	Weight (lbs)	L Length (mm)
BDSG-60-75-24V-3000-R3	3	1000	833	13	108.4	1.9	32
BDSG-60-75-24V-3000-R10	10	300	250	44	361	1.9	32
BDSG-60-75-24V-3000-R30	30	100	83	121	694.5	1.9	40
BDSG-60-75-24V-3000-R50	50	60	50	183	694.5	1.9	40
BDSG-60-75-24V-3000-R75	75	40	33	275	1389	1.9	40

L011694

Units: (mm)

DIMENSIONS



SPECIFICATIONS

Housing Material:	Steel	Bearing at Output:	Ball Bearing
Radial Load:	26.45 lb - Force @ 20mm from the end of the flange		
Operating Temperature:	14°-104° F	Humidity:	90% - 95% Operating