

# 90mm Brush DC Motor

FEATURES

- **DC Brush Motor**
- **90mm Diameter**
- **Up to 106.2 oz-in of Torque**
- **Designed for High-Volume Applications**
- **Custom Versions Available**
- **ISO & TS Automotive Certified**



DESCRIPTION

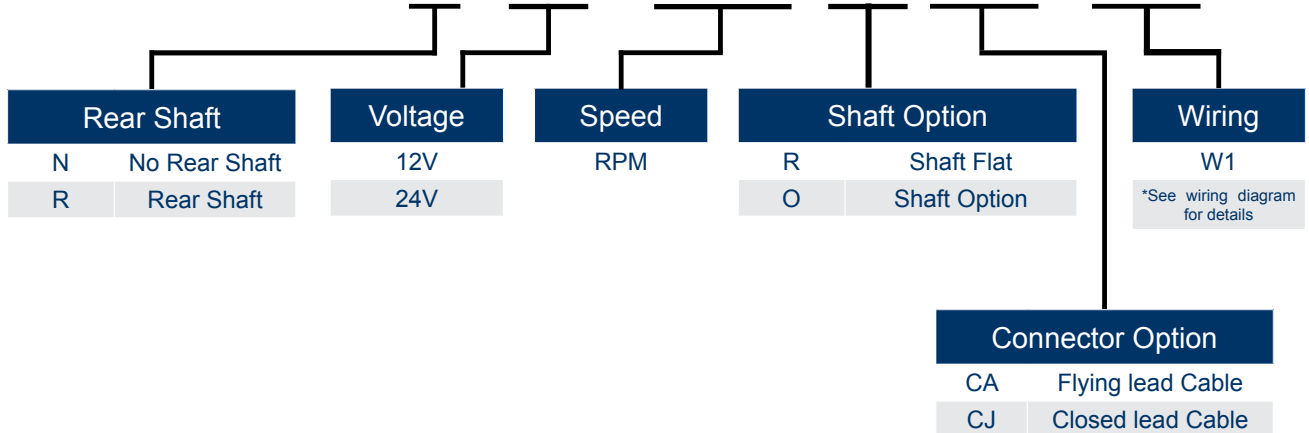
Anaheim Automation's DC motors provide a cost effective solution for your application. The 90mm Brush DC series can be used in many applications such as robotics and medical applications. The 90mm Brush DC series has strong permanent magnets to provide up to **106.2** oz-in of torque. At nominal voltage this motor will go up to 1500RPM. Cooling vents on the motor casing are placed optimally for internal cooling of the motor.

SPECIFICATIONS

Model #	No load Speed (RPM)	Rated Speed (RPM)	Rated Current (A)	Starting Current (A)	Rated Torque (oz-in)	Starting Torque (oz-in)	Rated Voltage (VDC)	Approx Weight (lbs)
BDC-168-N-24-1500-O-CJ-W6	1500	1000	5.5	18	106.21	396.53	24	6.9

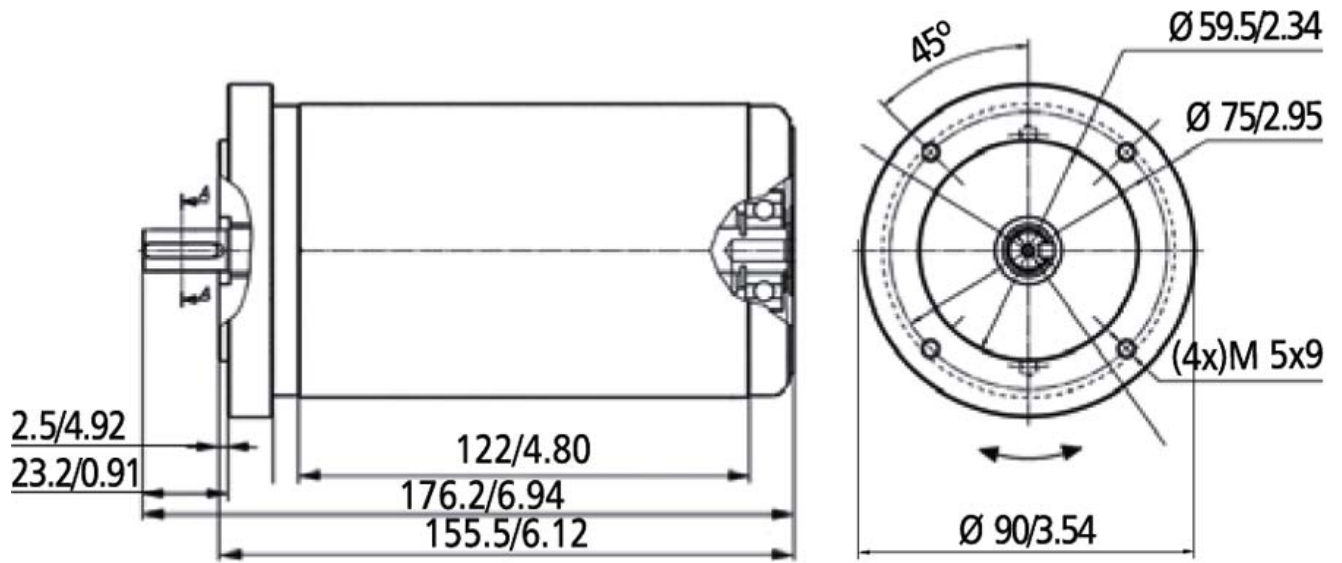
DIMENSIONS

## BDC-168-N-12-2300-R-CA-W1



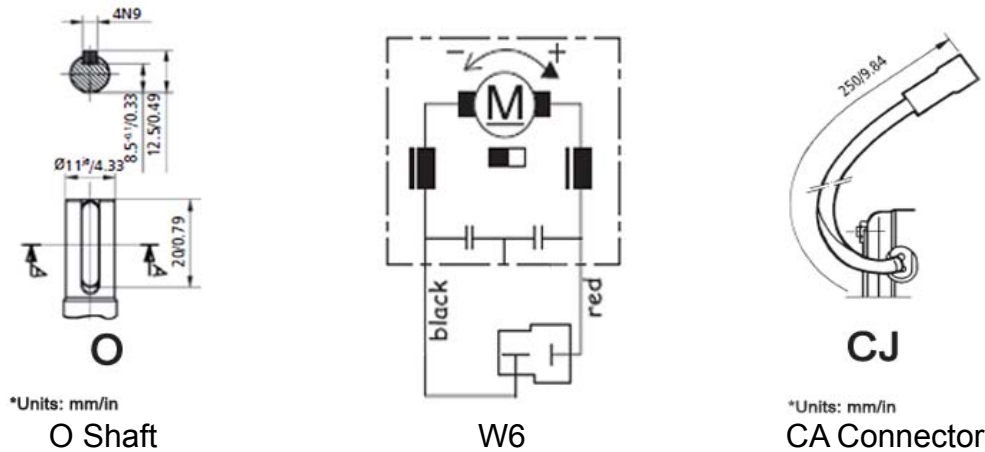
L011699

DIMENSIONS



Dimensions in mm/in

WIRING/CONNECTOR OPTIONS



TORQUE CURVE

