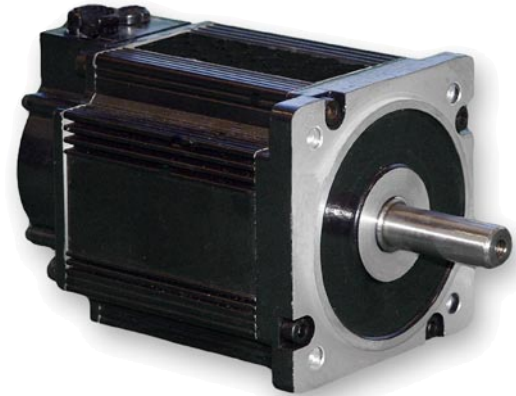


BLZ36 Series - Brushless DC Motors



FEATURES

- **NEMA Size 36 BLDC Motors**
- **Compact Size with High Power Density**
- **Cost Effective Solution**
- **Long Life and Highly Reliable**
- **Can be Customized for**
 - Maximum Speed
 - Winding Current
 - Shaft Options
 - Cables and Connectors



DESCRIPTION

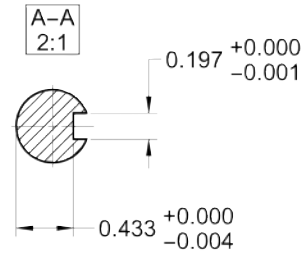
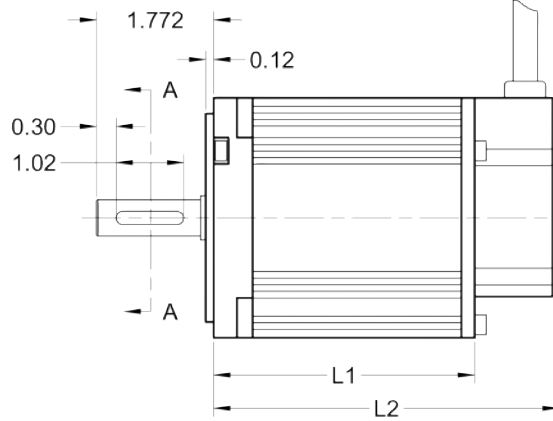
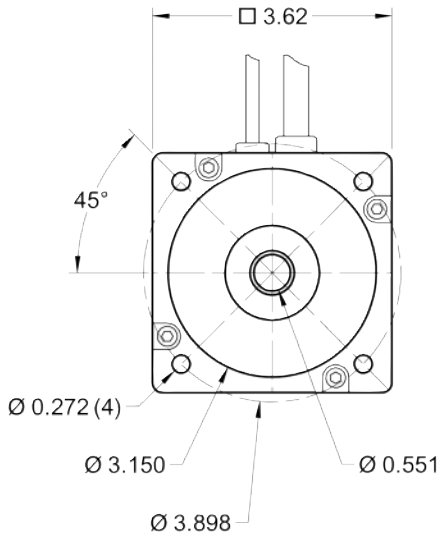
The BLZ36 Series Brushless DC Motors come in a compact package with high power density. These motors are cost effective solutions to many velocity control applications. They come in two different stack lengths to provide you with just the right torque for your application. A number of windings are available off-the-shelf and the motors can be customized to fit your machine requirements. The motors come in a standard 8-lead configuration. We can also customize the winding to perfectly match your voltage, current, and maximum operating speed. Special shaft modifications, cables and connectors are also available upon request.

SPECIFICATIONS

Model #	Rated Voltage (VDC)	Rated Speed (RPM)	No Load Speed (RPM)	Power (watts)	Rated Torque (oz-in)	No Load Current (A)	Rated Current (A)	Torque Constant (oz-in/A)	Line to Line Resistance (ohms)	Line to Line Inductance (mH)	Rotor Inertia (oz-in-sec ²)	Back EMF Voltage (Vrms/kRPM)	Weight (lbs)
BLZ362S-12V-3500	12	3500	4100	500	198	4.00					0.0340	4.12	6.6
BLZ362S-24V-3500	24	3500	4100	500	198	3.80	24	8.5	0.04	0.33	0.0017	6.50	6.6
BLZ362S-36V-3500	36	3500	4100	500	198	2.00	16	12.7	0.085	1.20	0.0017	10.0	6.6
BLZ362S-48V-3500	48	3500	4100	500	198	1.6	12	17.0	0.16	0.31	0.0017	13.0	6.6
BLZ362S-160V-3500	160	3500	4200	500	198	0.45	3.9	51.0	0.58	2.05	0.0017	42.0	6.6
BLZ362S-320V-3500	320	3500	4200	500	198	0.30	2.0	99.1	2.3	3.95	0.0017	80.0	6.6
BLZ363S-12V-3500	12	3500	4100	750	198	4.5	48	4.2	0.01	0.02	0.0018	3.20	7.7
BLZ363S-48V-3500	48	3500	4100	750		1.60					0.0052	15.0	7.7
BLZ363S-160V-3000	160	3000	3600	750	270	2.00					0.0018	4.20	7.7
BLZ364S-24V-1800	24	1800	2160	500	350	2.00	-				0.8319	17.0	9.9
BLZ364S-48V-3500	48	3500	4100	1000	350	3.50	-				0.8319	32.0	9.9
BLZ364S-160V-3000	160	3000	4200	1000	340	3.00	-				0.8319		9.9
BLZ364S-160V-5000	160	5000	6000	1000	250	2.00	-				0.8319		9.9

Notes: Custom leadwires, cables, connectors, and windings are available upon request.

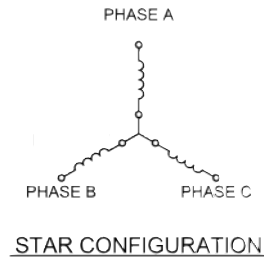
L010400



(All units are inches)

Model #	Length "L1" (inches)	Length "L2" (inches)
BLZ362S	3.95	5.30
BLZ363S	4.72	6.10
BLZ364S	5.50	6.85

Wire Color	Description
Green	Phase U (A)
Yellow	Phase V (B)
Red	Phase W (C)
Red	Hall Supply
Yellow	Hall A
Orange	Hall B
Brown	Hall C
Black	Hall Ground



Winding Type:	Star, 8 Poles	Max. Radial Force:	28N @ 20mm from the flange
Hall Effect Angle:	120 degree electrical angle	Max. Axial Force:	10N
Shaft Run Out:	0.025mm	Insulation Class:	Class B
Radial Play:	0.02mm@450g	Dielectric Strength:	500VDC for one minute
End Play:	0.08mm@450g	Insulation Resistance:	100MOhm, 500VDC