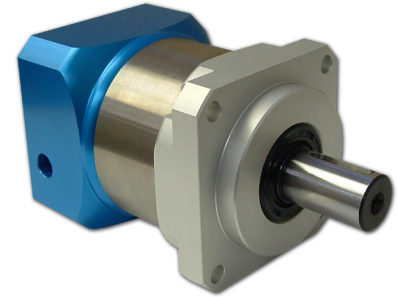


# GBPH-060x-NS Series



## FEATURES

- Backlash as low as 20 arc-min
- Gear Ratios from 3 to 100
- Available in 1 and 2 Stage Models
- Up to Four Precision Planet Gears
- Patented Precision Clamping System
- Lifetime Lubrication
- High Durability
- Operating Temperature of -15° to 90°C



## DESCRIPTION

The GBPH-060-NS Series Planetary Gearbox offers you the precision you need at the prices you want! This Planetary Gearbox is designed with very low backlash for motion control, automation, and robotic applications requiring precise position requirements. This Planetary Gearbox will match many servos or steppers and is ideal for NEMA 23 motors. Designed with the goal of offering a cost-effective product without sacrificing quality, you will find that this Planetary Gearbox offers you an extraordinary value. Please verify all dimensions when matching a gearbox to a specific motor, as critical dimensions will vary among series and manufacturers.

## SPECIFICATIONS

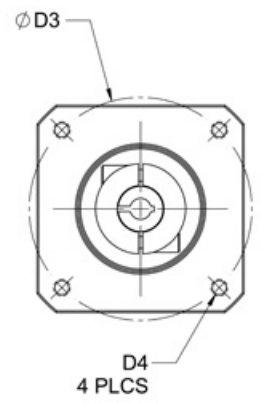
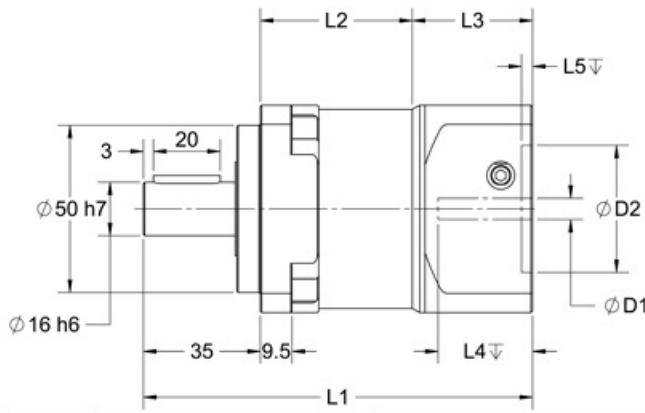
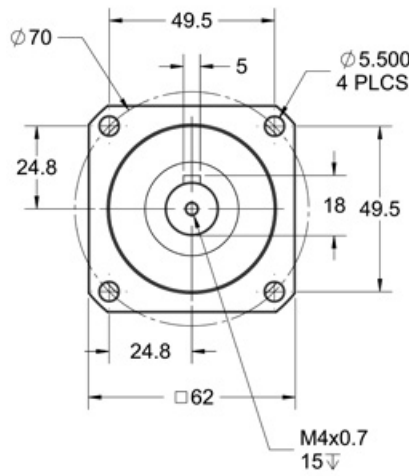
Model #	Gear Ratio (X:1)	Rated Output Torque (in-lb)	Max Output Torque (in-lb)	Rated Input Speed (RPM)	Stages	Backlash Maximum (arcmin)	L2 Length (mm)	Weight (lbs)
GBPH-0601-NS-003-xxxxx-yyy	3	354	1062	3300	1	20	46	2.65
GBPH-0601-NS-004-xxxxx-yyy	4	531	1354	3300	1	20	46	2.65
GBPH-0601-NS-005-xxxxx-yyy	5	487	1247	3300	1	20	46	2.65
GBPH-0601-NS-007-xxxxx-yyy	7	443	1168	4000	1	20	46	2.65
GBPH-0601-NS-010-xxxxx-yyy	10	354	1062	4000	1	20	46	2.65
GBPH-0602-NS-009-xxxxx-yyy	9	354	1062	4000	2	25	64	3.8
GBPH-0602-NS-012-xxxxx-yyy	12	354	1062	4400	2	25	64	3.8
GBPH-0602-NS-015-xxxxx-yyy	15	531	1354	4400	2	25	64	3.8
GBPH-0602-NS-016-xxxxx-yyy	16	531	1354	4400	2	25	64	3.8
GBPH-0602-NS-020-xxxxx-yyy	20	531	1354	4400	2	25	64	3.8
GBPH-0602-NS-021-xxxxx-yyy	21	354	1062	4400	2	25	64	3.8
GBPH-0602-NS-025-xxxxx-yyy	25	531	1354	4400	2	25	64	3.8
GBPH-0602-NS-028-xxxxx-yyy	28	443	1168	4400	2	25	64	3.8
GBPH-0602-NS-030-xxxxx-yyy	30	354	1062	4400	2	25	64	3.8
GBPH-0602-NS-035-xxxxx-yyy	35	443	1168	4400	2	25	64	3.8
GBPH-0602-NS-040-xxxxx-yyy	40	534	1354	4400	2	25	64	3.8
GBPH-0602-NS-049-xxxxx-yyy	49	425	850	4400	2	25	64	3.8
GBPH-0602-NS-050-xxxxx-yyy	50	487	1247	4800	2	25	64	3.8
GBPH-0602-NS-070-xxxxx-yyy	70	443	1168	5500	2	25	64	3.8
GBPH-0602-NS-100-xxxxx-yyy	100	443	1168	5500	2	25	64	3.8

**Part numbers are based on the specifications of the motor being matched to the gearbox.**

-xxxxx denotes motor pilot, -yyy denotes input shaft diameter.

Refer to *Matching the Gearbox to Your Motor* on the second page for more information, or contact an Anaheim Automation Applications Engineer for assistance.

L010453



Units are in mm

ITEM	DESCRIPTION	MOTOR INTERFACE			
		AA231-250	BLK24-551	EMJ60-551	SMH60-551
D1	Input Shaft Diameter	6.35	14	14	14
L4	Max Shaft Length	32	37	37	37
L3	Motor Mount Length	34	40	40	40
D2	Pilot Diameter	38.1	50	50	50
L5	Pilot Depth	6	6	6	6
D3	Mounting Bolt Hole Circle	66.7	70	70	70
D4	Bolt Hole Size	M5	M5	M5	M5

### Matching the Gearbox to Your Motor

To ensure compatibility with the gearbox, it is important to consider that the motor specifications are within the listed ranges below. Motor Bolt Circle Diameter, Input Shaft Diameter, Input Shaft Length, Pilot Thickness, Pilot Diameter and Hole Diameter are required in order to match the motor with the appropriate gearbox, and will be used to determine the complete part number. Please see the Gearbox Mounting form downloadable from our website under *Support - Technical Support - Installations* for more information on required motor data.

Parameter	Range
Bolt Hole Circle Diameter	46mm to 76mm
Input Shaft Diameter	6.35mm to 14mm
Input Shaft Length	30mm Max
Pilot Thickness	3.5mm Max
Pilot Diameter	30mm to 50mm
Hole Diameter	Any Size

Radial Load:	189 lbs - Force	Axial Load:	136 lbs - Force
Operating Temperature:	-15° to 90°C	Noise Level:	68 dB
Efficiency:	3~10: ≥ 97; 12~100: ≥ 94	IP Rating:	IP65