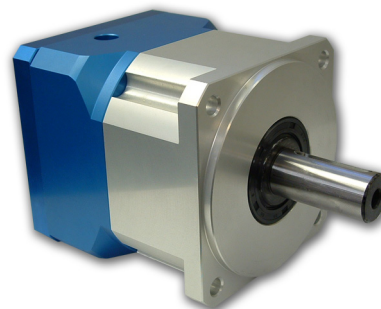


# GBPH-120x-NP Series



## FEATURES

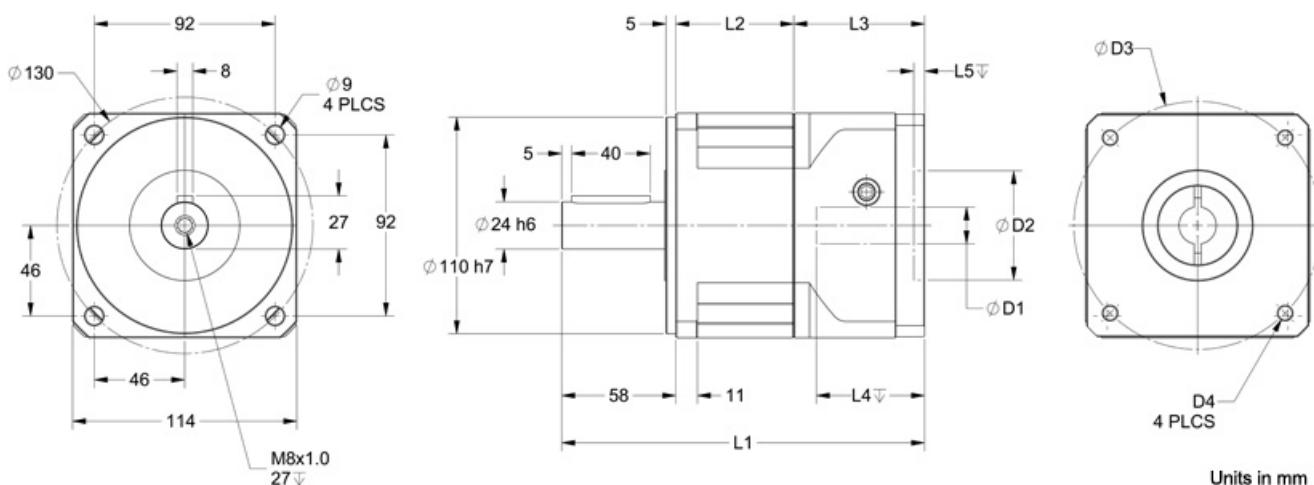
- Backlash as Low as 7 arc-min
- Gear Ratios From 3 to 343
- Available in 1, 2 and 3 Stage Models
- Patented Precision Clamping System
- Lifetime Lubrication
- High Durability
- Operating Temperature of -15° to 90°C



## DESCRIPTION

The GBPH-120-NP Series Planetary Gearbox offers you the precision you need at the prices you want! This Planetary Gearbox is designed with very low backlash for motion control, automation, and robotic applications requiring precise position requirements. This Planetary Gearbox will match many servos or steppers and is ideal for NEMA42 motors. Designed with the goal of offering a cost-effective product without sacrificing quality, you will find that this Planetary Gearbox offers you an extraordinary value. Please verify all dimensions when matching a gearbox to a specific motor, as critical dimensions will vary among series and manufacturers.

## DIMENSIONS



Units in mm

ITEM	DESCRIPTION	MOTOR INTERFACE		
		AA421-750	BLK42-748	EM130-866
D1	Input Shaft Diameter	19.05	19	22
L4	Max Shaft Length	62	47.5	67.5
L3	Motor Mount Length	66.5	50	70
D2	Pilot Diameter	55.5	95	110
L5	Pilot Depth	7	5	8
D3	Mounting Bolt Hole Circle	125.7	130	145
D4	Bolt Hole Size	M8	M8	M8

L010485

Model #	Gear Ratio (X:1)	Rated Output Torque (in-lbs)	Max Output Torque (in-lbs)	Rated Input Speed (RPM)	Stages	Backlash Maximum (arcmin)	L2 Length (mm)	Weight (lbs)
GBPH-1201-NP-003-xxxx-yyy	3	2301	6904	2300	1	7	49	10.14
GBPH-1201-NP-004-xxxx-yyy	4	2708	8125	2300	1	7	49	10.14
GBPH-1201-NP-005-xxxx-yyy	5	2584	7753	2300	1	7	49	10.14
GBPH-1201-NP-007-xxxx-yyy	7	2523	7568	2700	1	7	49	10.14
GBPH-1201-NP-010-xxxx-yyy	10	2301	6904	2700	1	7	49	10.14
GBPH-1202-NP-009-xxxx-yyy	9	2301	6904	2700	2	11	77	12.79
GBPH-1202-NP-012-xxxx-yyy	12	2301	6904	3000	2	11	77	12.79
GBPH-1202-NP-015-xxxx-yyy	15	2708	8125	3000	2	11	77	12.79
GBPH-1202-NP-016-xxxx-yyy	16	2708	8125	3000	2	11	77	12.79
GBPH-1202-NP-020-xxxx-yyy	20	2708	8125	3000	2	11	77	12.79
GBPH-1202-NP-021-xxxx-yyy	21	2523	6904	3000	2	11	77	12.79
GBPH-1202-NP-025-xxxx-yyy	25	2708	8125	3000	2	11	77	12.79
GBPH-1202-NP-028-xxxx-yyy	28	2708	7568	3000	2	11	77	12.79
GBPH-1202-NP-030-xxxx-yyy	30	2301	6904	3000	2	11	77	12.79
GBPH-1202-NP-035-xxxx-yyy	35	2523	7568	3000	2	11	77	12.79
GBPH-1202-NP-040-xxxx-yyy	40	2708	8125	3000	2	11	77	12.79
GBPH-1203-NP-045-xxxx-yyy	45	2523	8629	3000	3	11	105	15.42
GBPH-1203-NP-060-xxxx-yyy	60	2523	8629	3900	3	11	105	15.42
GBPH-1203-NP-075-xxxx-yyy	75	2523	8629	3900	3	11	105	15.42
GBPH-1203-NP-080-xxxx-yyy	80	2523	8629	3900	3	11	105	15.42
GBPH-1203-NP-100-xxxx-yyy	100	2523	7568	3900	3	11	105	15.42
GBPH-1203-NP-125-xxxx-yyy	125	2523	8629	4000	3	11	105	15.42
GBPH-1203-NP-140-xxxx-yyy	140	2523	8629	4000	3	11	105	15.42
GBPH-1203-NP-175-xxxx-yyy	175	2523	8629	4000	3	11	105	15.42
GBPH-1203-NP-245-xxxx-yyy	245	2523	8629	4000	3	11	105	15.42
GBPH-1203-NP-343-xxxx-yyy	343	2523	8629	4000	3	11	105	15.42

**Part numbers are based on the specifications of the motor being matched to the gearbox.**

-xxxx denotes motor pilot, -yyy denotes input shaft diameter.

Refer to *Matching the Gearbox to Your Motor* on the first page for more information, or contact an Anaheim Automation Applications Engineer for assistance.

Radial Load:	1686 lbs - Force	Axial Load:	725 lbs - Force
Operating Temperature:	-15° to 90°C	Noise Level:	64 dB
Efficiency:	3~10: ≥ 97; 12~100: ≥ 94; 125~343 ≥ 95	IP Rating:	IP65

### Matching the Gearbox to Your Motor

To ensure compatibility with the gearbox, it is important to consider that the motor specifications are within the listed ranges below. Motor Bolt Circle Diameter, Input Shaft Diameter, Input Shaft Length, Pilot Thickness, Pilot Diameter and Hole Diameter are required in order to match the motor with the appropriate gearbox, and will be used to determine the complete part number. Please see the Gearbox Mounting form downloadable from our website under *Support - Technical Support - Installations* for more information on required motor data.

Parameter	Range
Bolt Hole Circle Diameter	115mm to 145mm
Input Shaft Diameter	22mm to 42mm
Input Shaft Length	85mm Max
Pilot Thickness	10mm Max
Pilot Diameter	95mm to 130mm
Hole Diameter	Any Size