

FEATURES

- **Compatible with NEMA 23 Motors**
- **Backlash as Low as 10 arc-min**
- **Thirteen Gear Ratios From 3 to 64**
- **Patented Precision Clamping System**
- **Lifetime Lubrication**
- **High Durability**
- **30,000 Hours Design Life**
- **96% Efficient**



DESCRIPTION

The GBPN-064x-FS Series Planetary Gearbox offers you the precision you need at the prices you want! This Planetary Gearbox is designed with the highest torque density possible for motion control, automation, and robotic applications requiring a compact solution. This planetary gearbox series is an ideal match for the NEMA23 frame size as well as your servo, stepper, brushless, AC or DC motors. Built with design goal of offering a cost-effective product without sacrificing quality, you will find that this Planetary Gearbox offers you an extraordinary value.

SPECIFICATIONS

Model #	Gear Ratio	Rated Output Torque (oz-in)	Max Output Torque (oz-in)	Rated Input Speed (RPM)	Max Input Speed (RPM)	Stages	Backlash Maximum (arcmin)	L2 Length (mm)	Weight (lbs)
GBPN-0641-FS-003-xxxxx-yyy	3	3965	6372	4000	13000	1	<10	45	2.4
GBPN-0641-FS-004-xxxxx-yyy	4	5381	8658	4000	13000	1	<10	45	2.4
GBPN-0641-FS-005-xxxxx-yyy	5	5664	9062	4000	13000	1	<10	45	2.4
GBPN-0641-FS-008-xxxxx-yyy	8	2549	4106	4000	13000	1	<10	45	2.4
GBPN-0642-FS-009-xxxxx-yyy	9	6230	9912	4000	13000	2	<12	58	3.1
GBPN-0642-FS-012-xxxxx-yyy	12	6230	9912	4000	13000	2	<12	58	3.1
GBPN-0642-FS-015-xxxxx-yyy	15	6230	9912	4000	13000	2	<12	58	3.1
GBPN-0642-FS-016-xxxxx-yyy	16	6230	9912	4000	13000	2	<12	58	3.1
GBPN-0642-FS-020-xxxxx-yyy	20	6230	9912	4000	13000	2	<12	58	3.1
GBPN-0642-FS-025-xxxxx-yyy	25	5664	9062	4000	13000	2	<12	58	3.1
GBPN-0642-FS-032-xxxxx-yyy	32	6230	9912	4000	13000	2	<12	58	3.1
GBPN-0642-FS-040-xxxxx-yyy	40	5664	9062	4000	13000	2	<12	58	3.1
GBPN-0642-FS-064-xxxxx-yyy	64	2549	4106	4000	13000	2	<12	58	3.1

Part numbers are based on the specifications of the motor being matched to the gearbox.

-xxxxx denotes motor pilot, -yyy denotes input shaft diameter.

Refer to *Matching the Gearbox to Your Motor* on the second page for more information, or contact an Anaheim Automation Applications Engineer for assistance.

L010614

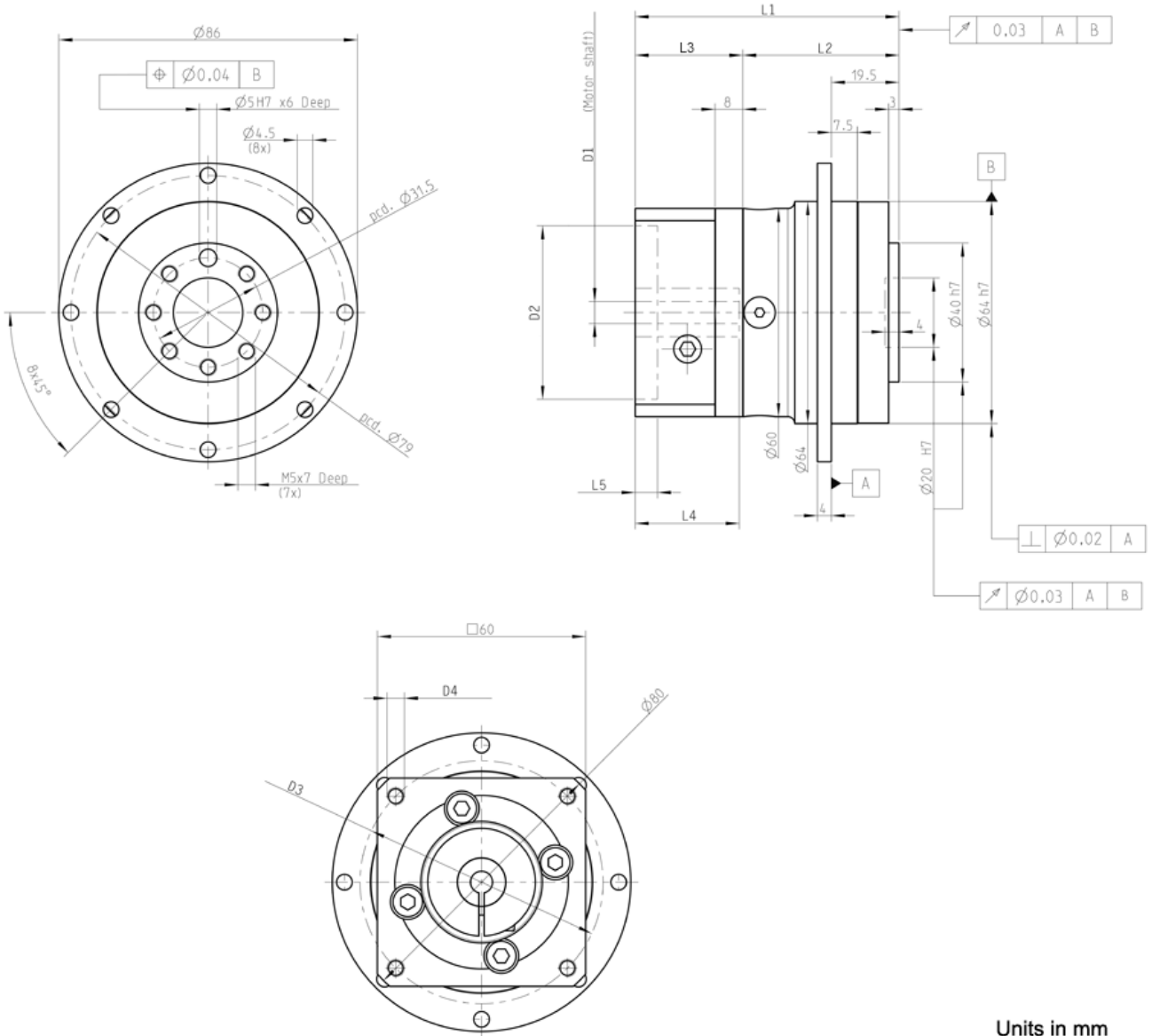
Radial Load:	124 lbs - Force	Axial Load:	270 lbs - Force
Operating Temperature:	-13° C - 194°F	Iso Output:	9409
Efficiency:	94-96%	IP Rating:	IP 54/55
Lubrication:	Synthetic Grease Kluberplex BEM 34-132"	Noise Level:	58 dBA

Matching the Gearbox to Your Motor

There are a few details that you need to consider before purchasing a gearbox. The gearbox must be manufactured to match the motor's bolt hole circle, pilot diameter, shaft diameter, and shaft length. This is handled by a code in the last two sections of the part number. For instance, in the part number GBPN-0641-FS-003-AA231-250, the "AA231" is for an Anaheim Automation NEMA 23 Motor pilot and the shaft length. The "250" is for the shaft diameter of 0.250". For non-standard requirements, contact Anaheim Automation, Inc.

Parameter	Range	Typical
Input Shaft Diameter	6mm to 14mm	"250" - 6.35mm shaft diameter
Input Shaft Length	35mm max	"AA231" - 20.57mm
Pilot	30mm to 50mm	"AA231" - 38.09mm
Bolt Hole Circle	30mm to 70mm	"AA231" - 66.55mm

DIMENSIONS



Units in mm

ITEM	DESCRIPTION	MOTOR INTERFACE			
		AA231-250	BLK24-551	EMJ60-551	SMH60-551
D1	Input Shaft Diameter	6.35	14	14	14
L4	Max Shaft Length	35	30.5	30.5	30.5
L3	Motor Mount Length	24	24.2	24.2	24.2
D2	Pilot Diameter	38.1	50	50	50
L5	Pilot Depth	3.4	3.5	3.5	3.5
D3	Mounting Bolt Hole Circle	66.7	70	70	70
D4	Bolt Hole Size	M5X12	M5X12	M5X12	M5X12