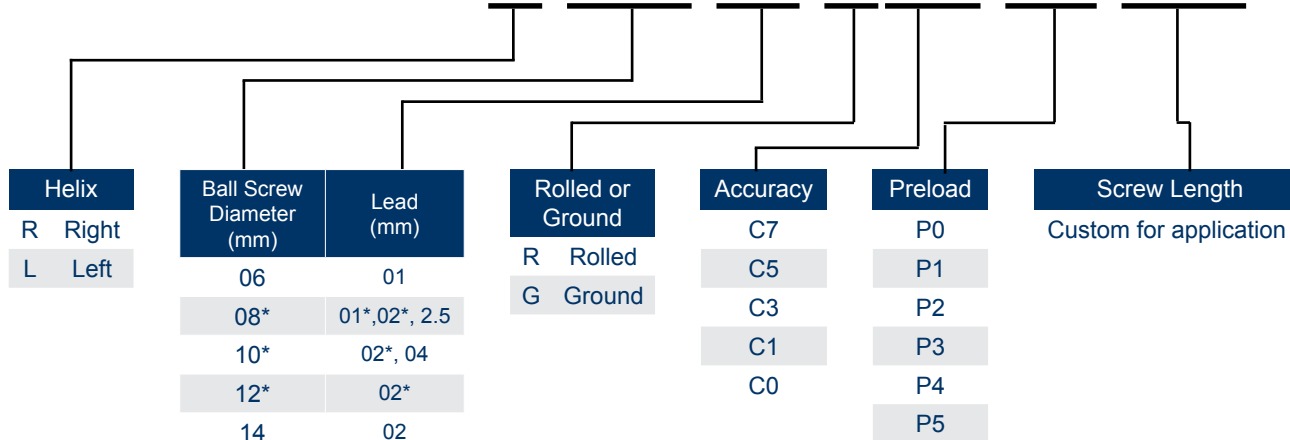


- 6mm to 14mm Screw Diameters
- 1mm to 4mm Leads
- Dynamic Loads to to 468 kgf
- Static Loads up to 1,053 kgf
- Available in Left and Right helix
- C7 Standard Accuracy
- P1 Standard Preload
- Other Accuracies and Preloads Available Upon Request

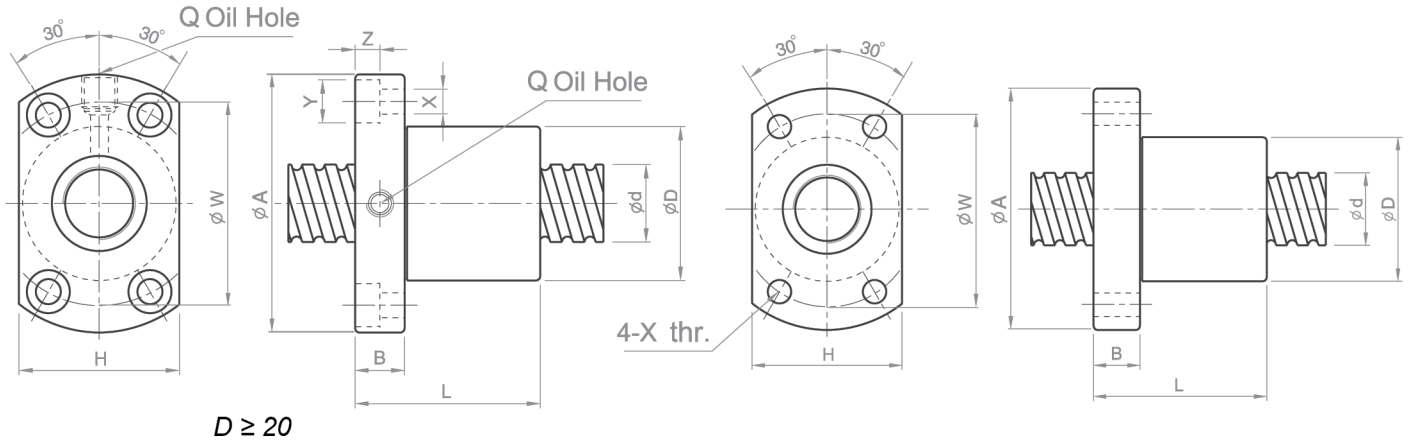


The SFK Series screw has a diameter of 6-14mm with a 1-4mm lead. This assembly provides a dynamic force of 468 kgf and a static forces up to 1,053 kgf. The maximum screw length is 1,500mm. The ends of the screw can be customized per your drawing. Please contact Anaheim Automation to discuss your specific requirements.

BSC-AAM-SFKR-006-01-RC7-P1-225



* =Also available in Left Helix
L010971



Units are in mm

Model No.	d	I: Lead	Da: Ball Dia.	D	n: Number of Circuits	A	B	L	W	H	X	Y	Z	Q	n	Ca: Basic Dynamic Rating Load (kgf)	Coa: Basic Static Rating Load (kgf)	K: Stiffness (kgf)	H*: Helix
BSC-AAM-SFKR-006-01	6	1	0.8	12	24	3.5	15	18	16	3.4	-	-	-	1x3	111	224	9	R	
BSC-AAM-SFKR-008-01	8	1	0.8	14	27	4	16	21	18	3.4	-	-	-	1x4	161	403	14	R/L	
BSC-AAM-SFKR-008-02	8	2	1.2	14	27	4	16	21	18	3.4	-	-	-	1x3	222	458	13	R/L	
BSC-AAM-SFKR-008-2.5	8	2.5	1.2	16	29	4	26	23	20	3.4	-	-	-	1x3	221	457	13	R	
BSC-AAM-SFKR-010-02	10	2	1.2	18	35	5	28	27	22	4.5	-	-	-	1x3	243	569	15	R/L	
BSC-AAM-SFKR-010-04	10	4	2	26	46	10	34	36	28	4.5	8	4.5	M6	1x3	468	905	17	R	
BSC-AAM-SFKR-012-02	12	2	1.2	20	37	5	28	29	24	4.5	-	-	-	1x4	334	906	22	R/L	
BSC-AAM-SFKR-014-02	14	2	1.2	21	40	6	23	31	26	5.5	-	-	-	1x4	354	1053	24	R	

Units are in mm

*PLEASE NOTE - Each standard ball screw includes **one** nut. Additional nuts will be considered a custom request, and will require creation of a special part number.