

# Motion Ballscrews BSH Series



FEATURES

- 8mm to 25mm Screw Diameters
- 2mm to 5mm Leads
- Dynamic Loads to to 1,724kgf
- Static Loads up to 4,904 kgf
- Available in Right Helix
- C7 Standard Accuracy
- P1 Standard Preload
- Other Accuracies and Preloads Available Upon Request

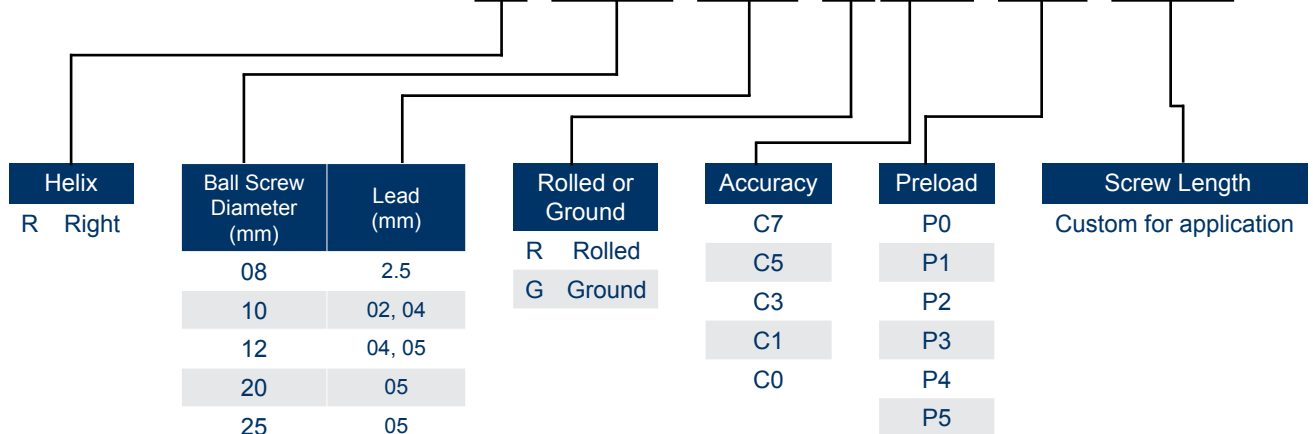


DESCRIPTION

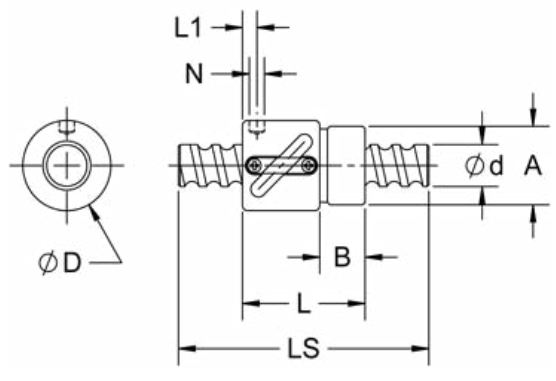
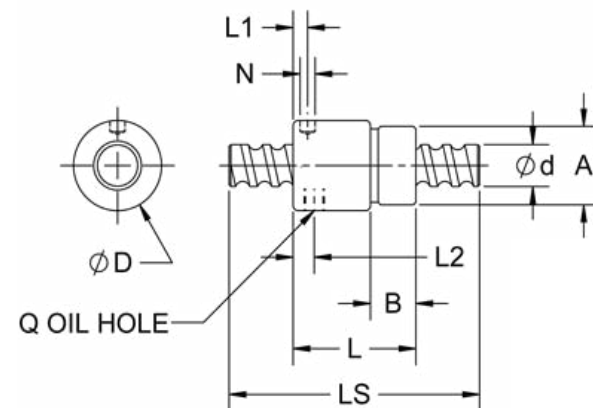
The BSH Series screw has a diameter of 8-25mm with a 2-5mm lead. This assembly provides a dynamic force of 1,724 kgf and a static forces up to 4,904 kgf. The maximum screw length is 6,000mm. The ends of the screw can be customized per your drawing. Please contact Anaheim Automation to discuss your specific requirements.

PART NUMBER LAYOUT

## BSC-AAM-BSHR-008-2.5-RC7-P1-250



L010972

**d<=14 (EXTERNAL CIRCULATION TYPE)**

**d>=16 (INTERNAL CIRCULATION TYPE)**


Units are in mm

Model No.	d	l	Da	D	A	B	L	L1	N	L2	Q	n	Ca	Coa	K	H*
BSC-AAM-BSHR-008-2.5	8	2.5	1.2	17.5	M15x1P	7.5	23.5	10	3	-	-	2.5x1	189	381	11	R
BSC-AAM-BSHR-010-02	10	2	1.2	19.5	M17x1P	7.5	22	3	3.2	-	-	3.5x1	277	664	17	R
BSC-AAM-BSHR-010-04	10	4	2	25	M20x1P	10	34	3	3	-	-	2.5x1	400	754	14	R
BSC-AAM-BSHR-012-04	12	4	2.5	25.5	M20x1P	10	34	13	3	-	-	3.5x1	804	1649	23	R
BSC-AAM-BSHR-012-05	12	5	2.5	25.5	M20x1P	10	39	16.25	3	-	-	3.5x1	801	1644	24	R
BSC-AAM-BSHR-020-05	20	5	3.175	38	M35x1.5P	15	45	20.3	3	-	-	1x3	1211	2906	30	R
BSC-AAM-BSHR-025-05	25	5	3.175	43	M40x1.5P	19	69	32.11	3	8	M6	1x4	1724	4904	37	R

Units are in mm

\*PLEASE NOTE - Each standard ball screw includes **one** nut. Additional nuts will be considered a custom request, and will require creation of a special part number.