

TBI Ball Screw Support Units

BK Series



FEATURES

- Fixed-Side Rectangular Type
- Ball Screw Diameter: 12mm to 50mm
- Input Shaft Diameter: 12mm to 40mm
- Allowable Axial Load: Up to 1834Kgf
- Allowable Static Load: Up to 2145Kgf
- Maximum Speed: Up to 16,800RPM
- Applicable Screw Accuracy: C3, C5, or C7
- Low Profile Design
- Black Oxide Surface Treatment

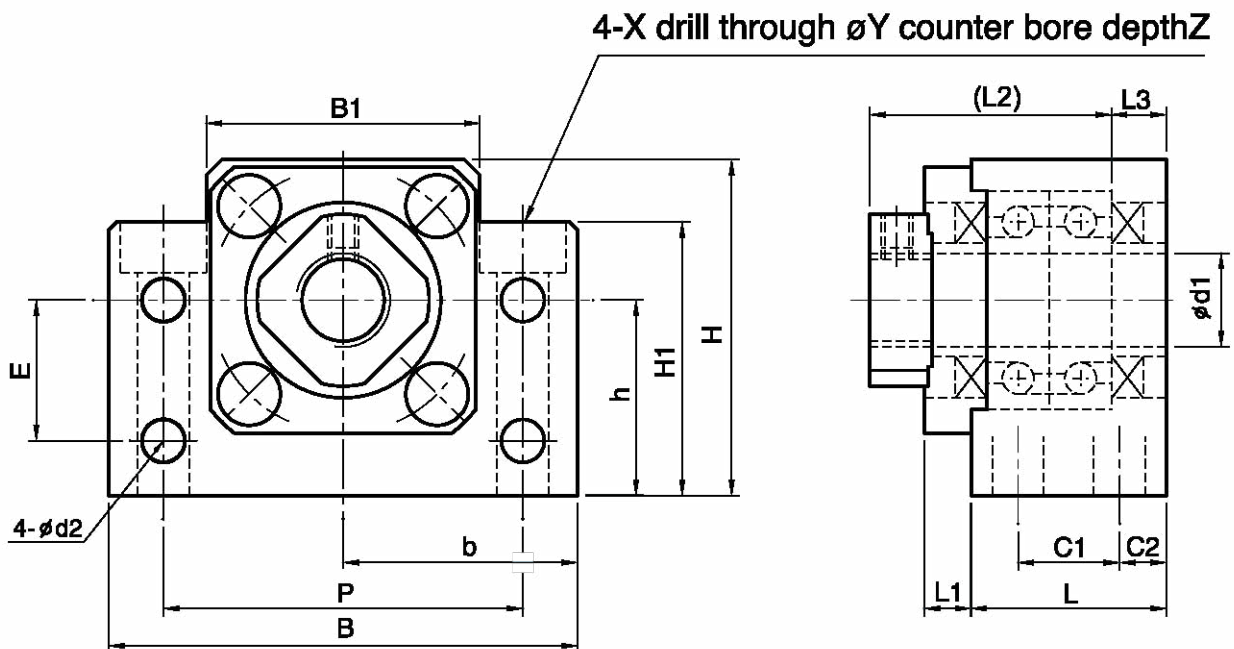


DESCRIPTION

The Rectangular-Type BK Fixed-Side Support Unit Series are available to fit input shaft diameters ranging from 10mm to 40mm. These support units are compact in size and allow for easy installation. All support units come with angular contact bearings which are assembled with the correct preload and amount of lubrication. These support units have an allowable axial load up to 1,834Kgf, allow static load up to 2119.7Kgf, and can handle speeds up to 16,800RPM (model dependent).

DIMENSIONS

Item	d1	L	L1	L2	L3	C1	C2	B	H	b ± 0.02	h ± 0.02	B1	H1	E	P	X	Y	Z	Allowable Axial Load (Kgf)	Allowable Static Load (Kgf)	Maximum Speed (RPM)
TBI-BSC-SU-BK10	10	25	5	29	5	13	6	60	39	30	22	34	32.5	15	46	6.6	10.8	5	195	239.0	16800
TBI-BSC-SU-BK12	12	25	5	29	5	13	6	60	43	30	25	34	32.5	18	46	6.6	10.8	1.5	217	275.1	15400
TBI-BSC-SU-BK15	15	27	6	32	6	15	6	70	48	35	28	40	38	18	54	6.6	11	6.5	240	315.7	13300
TBI-BSC-SU-BK17	17	35	9	44	7	19	8	86	64	43	39	50	55	28	68	9	14	8.5	413	550.2	11200
TBI-BSC-SU-BK20	20	35	8	43	8	19	8	88	60	44	34	52	50	22	70	9	14	8.5	428	604.3	10500
TBI-BSC-SU-BK25	25	42	12	54	9	22	10	106	80	53	48	64	70	33	85	11	17.5	11	709	942.6	8400
TBI-BSC-SU-BK30	30	45	14	61	9	23	11	128	89	64	51	76	78	33	102	14	20	13	939	1353	7000
TBI-BSC-SU-BK35	35	50	14	67	12	26	12	140	96	70	52	88	79	35	114	14	20	13	1466	1691.3	4200
TBI-BSC-SU-BK40	40	61	18	76	15	33	14	160	110	80	60	100	90	37	130	18	26	17.5	1834	2119.7	3710



L011175

Item	Ball Screw Diameter	Input Shaft Diameter				Metric Screw Thread	
	d	A	B	E	F	M	S
TBI-BSC-SU-BK10	12, 14, 15	10	8	36	15	M10X1	16
TBI-BSC-SU-BK12	14, 15, 16	12	10	36	15	M12X1	14
TBI-BSC-SU-BK15	18, 20	15	12	40	20	M15X1	12
TBI-BSC-SU-BK17	20, 25	17	15	53	23	M17X1	17
TBI-BSC-SU-BK20	25, 28	20	17	53	25	M20X1	15
TBI-BSC-SU-BK25	32, 36	25	20	65	30	M25X1.5	18
TBI-BSC-SU-BK30	36, 40	30	25	72	38	M30X1.5	25
TBI-BSC-SU-BK35	45	35	30	81	45	M35X1.5	28
TBI-BSC-SU-BK40	50	40	35	93	50	M40X1.5	35

