

TBI Ball Screw Support Units

FF Series



FEATURES

- **Fixed-Side Rectangular Type**
- **Ball Screw Diameter: 10mm to 40mm**
- **Input Shaft Diameter: 8mm to 40mm**
- **Allowable Axial Load: Up to 587Kgf**
- **Allowable Static Load: Up to 1690Kgf**
- **Maximum Speed: Up to 16,800RPM**
- **Applicable Screw Accuracy: C3, C5, or C7**
- **Low Profile Design**
- **Black Oxide Surface Treatment**

DESCRIPTION



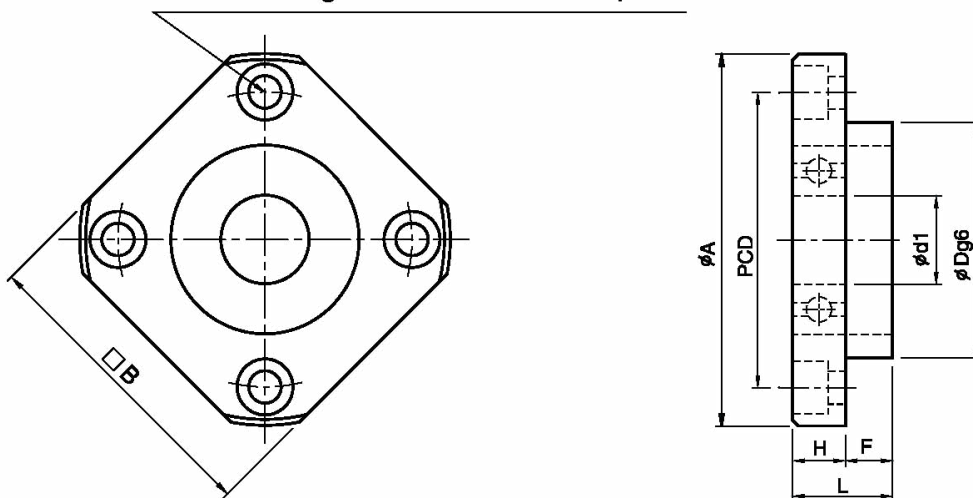
The Round-Type FF Fixed-Side Support Unit Series are available to fit input shaft diameters ranging from 8mm to 30mm. These support units are compact in size and allow for easy installation. All support units come with angular contact bearings which are assembled with the correct preload and amount of lubrication. These support units have an allowable axial load up to 939Kgf, allow static load up to 1,353Kgf, and can handle speeds up to 28,000RPM (model dependent).

DIMENSIONS

Item	d1	L	H	F	Dg6	A	PCD	B	X	Y	Z	Allowable Axial Load (Kgf)	Allowable Static Load (Kgf)	Maximum Speed (RPM)
TBI-BSC-SU-FF6	6	10	6	4	22	36	28	28	3.4	6.5	4	103	126.3	28000
TBI-BSC-SU-FF10	8	12	7	5	28	43	35	35	3.4	6.5	4	195	239.0	16800
TBI-BSC-SU-FF12	10	15	7	8	34	52	42	42	4.5	8	4	217	275.1	15400
TBI-BSC-SU-FF15	15	17	9	8	40	63	50	52	5.5	9.5	5.5	240	315.7	13300
TBI-BSC-SU-FF20	20	20	11	9	57	85	70	68	6.6	11	6.5	587	762.2	9100
TBI-BSC-SU-FF25	25	24	14	10	63	98	80	79	9	14	8.5	709	942.6	8400
TBI-BSC-SU-FF30	30	27	18	9	75	117	95	93	11	17.5	11	939	1353	7000

UNITS: mm

4-X drill through ϕY counter bore depth Z



L011179

Item	Ball Screw Diameter	Input Shaft Diameter	Snap Ring Groove			
			Type FF	d	A	E
TBI-BSC-SU-FF10	12, 14, 15	8	10	7.6	7	0.9
TBI-BSC-SU-FF12	14, 15, 16	10	11	9.6	8	1.15
TBI-BSC-SU-FF15	18, 20	15	13	14.3	9	1.15
TBI-BSC-SU-FF17	20, 25	17	16	16.2	12	1.15
TBI-BSC-SU-FF20	25, 28, 30	20	19	19	14	1.35
TBI-BSC-SU-FF25	30, 32, 36	25	20	23.9	15	1.35
TBI-BSC-SU-FF30	36, 40	30	21	28.6	16	1.75

