

EMG-15ASB Series Servo Motor



FEATURES

- 220 VAC
- **Rated Torque of 1013 oz-in**
- **1500 Watt Power Rating**
- **Rated Speed 2000 RPM**
- **Maximum Speed 3000 RPM**
- **Peak Torque up to 300% of Rated Torque**
- **Peak Current up to 300% of Rated Current**
- **131,072 PPR Absolute Encoder Attached**
- **Enclosed and Self-Cooled**
- **Brake Option Available**
- **CE Certified**



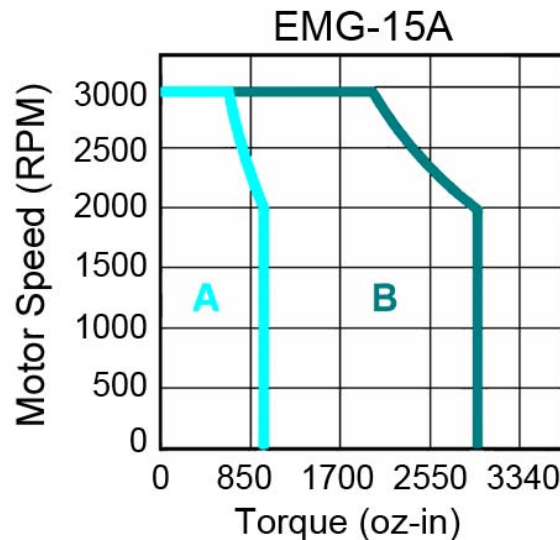
DESCRIPTION

Anaheim Automation's Digital AC Servo Motors offer a simple solution to servo applications involving speed and positioning control. The EMG-15ASB Servo Motor comes standard with a 131,072 Pulses Per Revolution (PPR) Absolute Encoder, runs at a maximum speed of 3,000 RPM, provides peak values up to 300% of the rated torque and current values, and has a rated torque of 1013 oz-in with a 1500 Watt power rating. These enclosed and self-cooled motors also provide longer motor life and higher reliability. The EMG-15ASB Servo Motors enable industrial motion control applications to attain a great combination of speed and positioning functionality.

SPECS

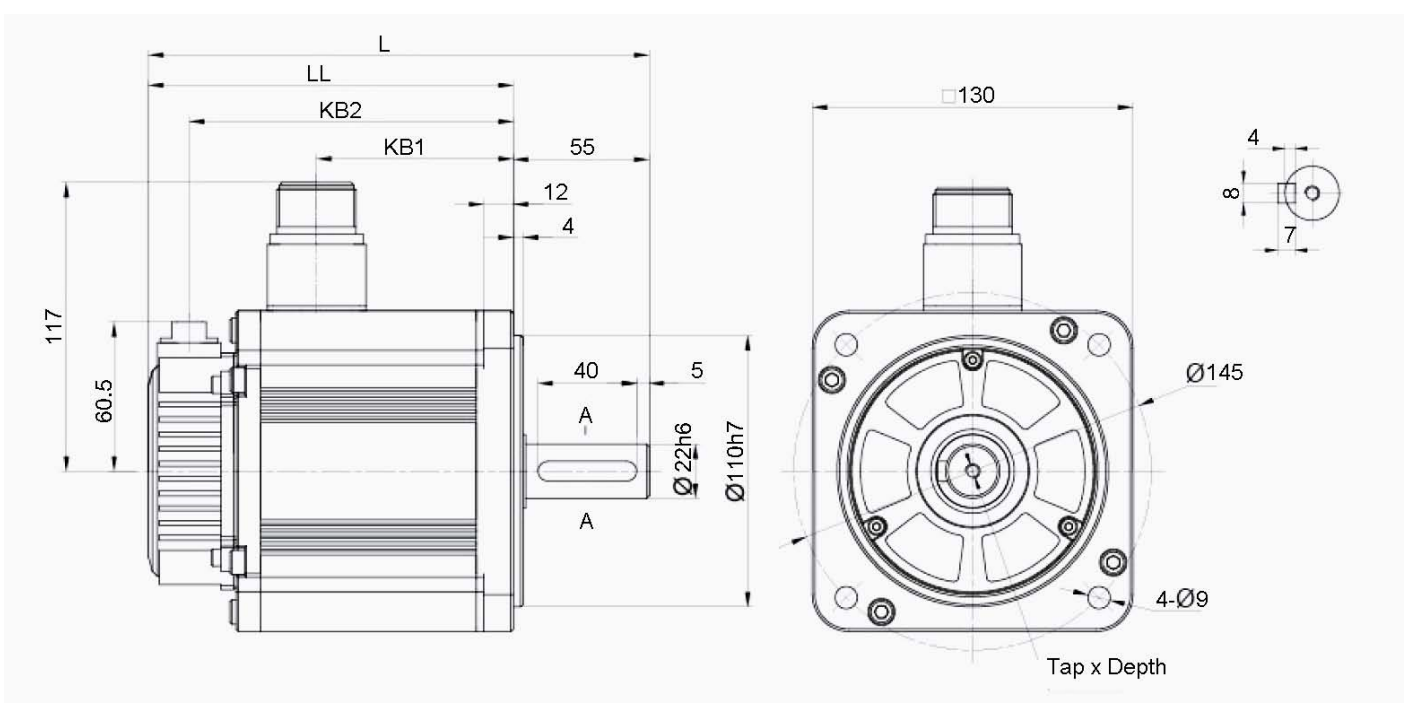
| Model # | Rated Torque (oz-in) | Rated Power (Watts) | Rated Speed (RPM) | Max Speed (RPM) | Rated Current (A rms) | Brake (24VDC) | Inertia (oz-in-sec ²) | Torque Constant K_T (oz-in/A) | Resistance (ohms) | Inductance (mH) | Length (mm) | Weight (lbs) |
|-------------|----------------------|---------------------|-------------------|-----------------|-----------------------|---------------|-----------------------------------|---------------------------------|-------------------|-----------------|-------------|--------------|
| EMG-15ASB22 | 1013 | 1500 | 2000 | 3000 | 8.2 | No | 0.26056 | 123.6 | 0.4 | 5 | 170 | 19.6 |
| EMG-15ASB24 | 1013 | 1500 | 2000 | 3000 | 8.2 | Yes | 0.27614 | 123.6 | 0.4 | 5 | 212.5 | 22.9 |

TORQUE CURVE



A: Continuous Working Area
 B: Repeatedly Working Area

L011596



Note: All Dimensions in millimeters

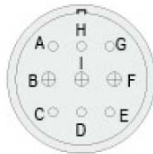
| Model # | L | LL | KB1 | KB2 |
|-------------|-------|-------|-------|-------|
| EMG-15ASB22 | 225 | 170 | 102 | 153.5 |
| EMG-15ASB24 | 267.5 | 212.5 | 125.2 | 196 |

Note: the EMG-15ASB24 are Servo Motors with holding brakes.

Encoder Connector Specification:



| Pin No. | Signal |
|---------|--------|
| 1 | S+ |
| 2 | S- |
| 3 | BAT+ |
| 4 | BAT- |
| 7 | PG0V |
| 8 | PG5V |
| 10 | FG |

Motor Connector Specification:


| Pin No. | Signal |
|---------|--------|
| A | - |
| B | U |
| C | FG |
| D | FG |
| E | - |
| F | W |
| G | B1 |
| H | B2 |
| I | V |

Note: There are no B1, B2 signals in motor without brake.

| | | |
|------------------------------------|---|---|
| Power Requirement: 220VAC | Vibration: 49 m/s ² | Running Air Pressure: 86 to 106 kPa |
| Insulation Class: F | Ambient Temperature: 20% to 80% RH | Insulation Voltage Endurance: AC 1800C, 50Hz, 1 min |
| Ambient Temperature: 0°C to 40°C | Running Humidity: Not More Than 90%, Under 25°C | Insulation Impedance: Not Less Than 50M Under Normal Conditions |
| Running Temperature: -25°C to 40°C | | |

Compatible Driver:

| Part Number | Description |
|-----------------|--------------|
| PRONET-15AEA-EC | Servo Driver |


Compatible Cables:

| Part Number | Description |
|-----------------|-------------------|
| PDMB-GA14-05-II | Power/Brake Cable |
| PDM-GA16-05-II | Power Cable |
| PAP-GA24-05-II | Encoder Cable |

