

KNC-SRV-SMC130D-0150 Servo Motor



FEATURES

- 220 VAC
- 1500 W Power Rating
- Rated Torque of 1019 oz-in
- Maximum Speed of 3000 RPM
- 2500 PPR Incremental Encoder
- IP65 for Body, IP54 Shaft Seal
- 130mm Frame Size
- CE Certified

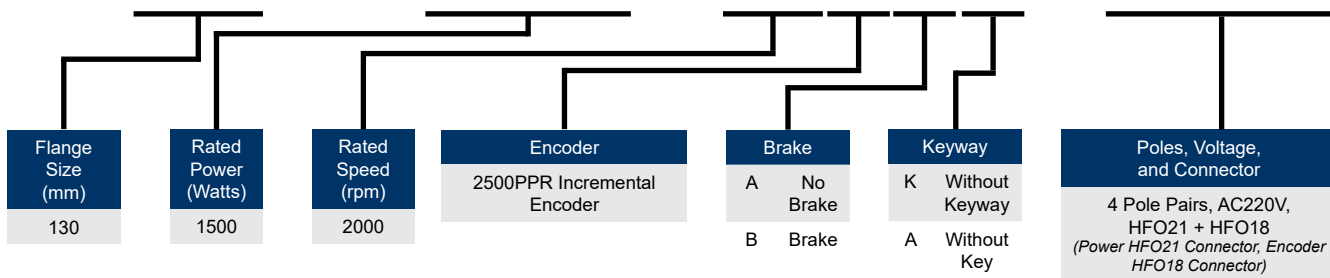


DESCRIPTION

The KNC-SRV-SMC130D-0150 Series Servo Motor offers a solution to servo applications requiring position and speed control. This servo motor series comes standard with a 2,500 Pulses per Revolution (PPR) Incremental Encoder, runs at a rated speed of 2000 RPM, provides peak values up to 300% of the rated torque and current values, and has a rated torque of 1019 oz-in with a 1500 Watt power rating. This servo motor series enables industrial motion control applications to attain a great combination of position and speed functionality.

ORDERING INFORMATION

SMC130D - 0150 - 20AAK - 4LKP

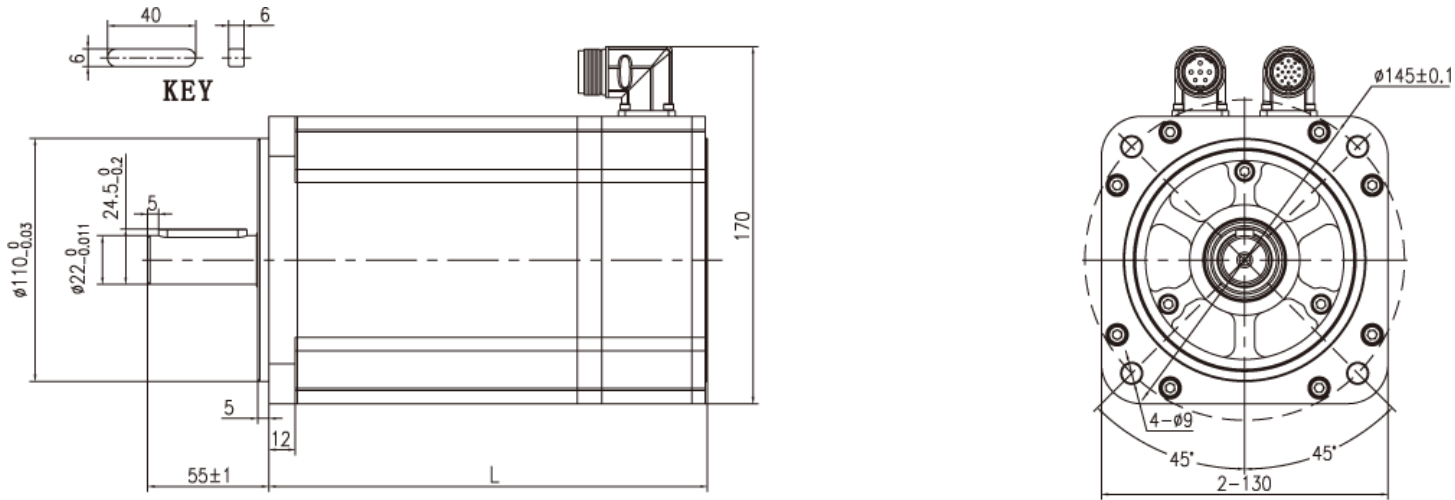


L011653

Model	KNC-SRV-SMC130D-0150-20AAK-4LKP KNC-SRV-SMC130D-0150-20ABK-4LKP
Compatible Driver	KNC-SRV-FD432S-CA-000 KNC-SRV-FD432S-AA-000 KNC-SRV-FD432S-LA-000
DC Link Voltage (VDC)	300
Rated Power (W)	1500
Rated Torque (oz-in)	1019
Rated Speed (RPM)	2000
Max Speed (RPM)	3000
Rated Current (A)	6.5
Maximum Torque (oz-in)	2549
Maximum Current (A)	16.2
Rated Standstill Torque (oz-in)	1121
Rated Standstill Current (A)	7.1
Resistance Line-Line (Ω)	1.53
Inductance Line-Line (mH)	13.3
Electrical Time Constant (ms)	8.69
Mechanical Time Constant (ms)	2.31
Torque Constant Kt (oz-in/A)	165
Rotor Moment of Inertia Jm (oz-in-s ²)	0.16993 0.17135 (with brake)
Pole Pair Number	4
Maximum Voltage Rising du/dt (KV/ μ s)	8
Insulation Class	F
Maximum Radial Force F (N)	900
Maximum Axial Force F (N)	450
Weight (lbs)	16.53 21.60 (with brake)

KNC-SRV-SMC130D-0150-20AAK-4LKP and KNC-SRV-SMC130D-0150-20ABK-4LKP

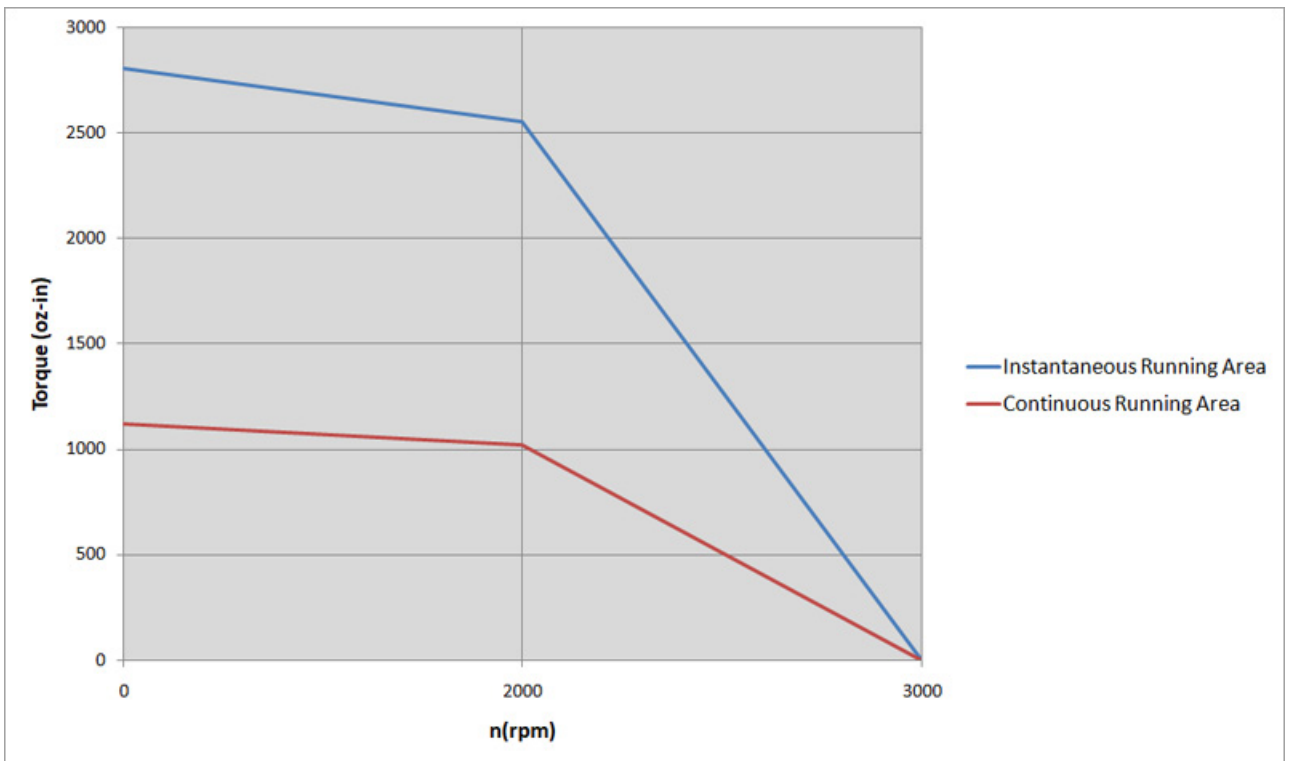
DIMENSIONS



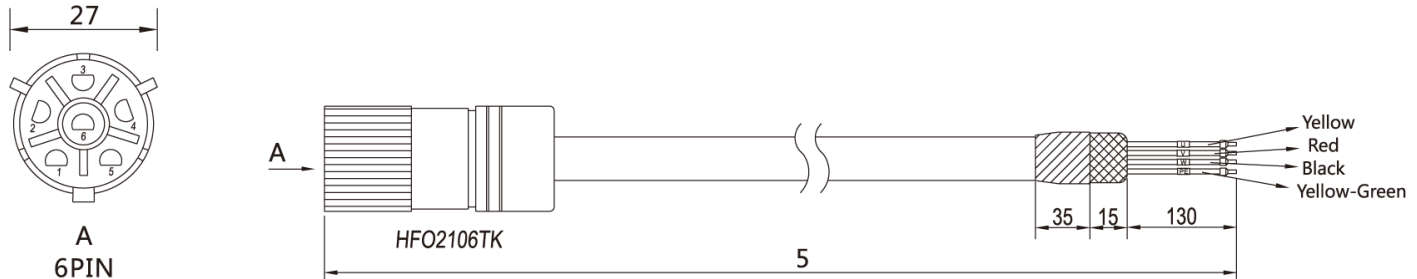
Model	KNC-SRV-SMC130D-0150-20AAK-4LKP KNC-SRV-SMC130D-0150-20ABK-4LKP
Length of Motor L (mm)	159 ± 1.5 220 ± 1.5 (with brake)

Dimensions are in mm

TORQUE CURVE

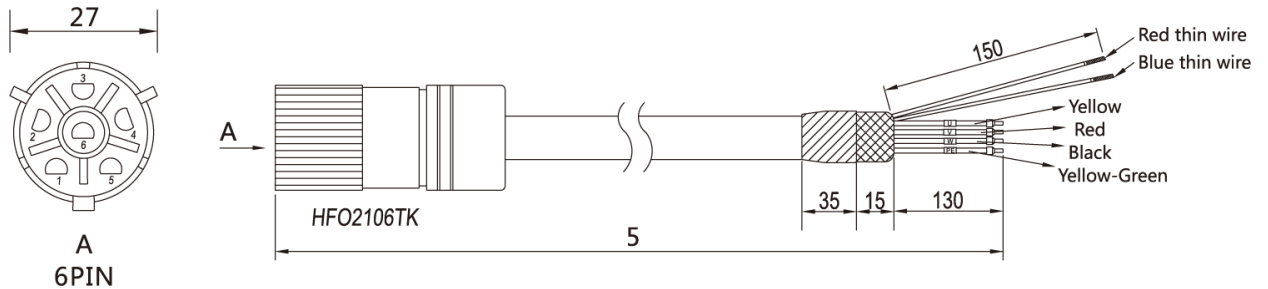


Motor Cable: KNC-SRV-MOT-008-05-KC4 for KNC-SRV-SMC130D-0150-20AAK-4LKP



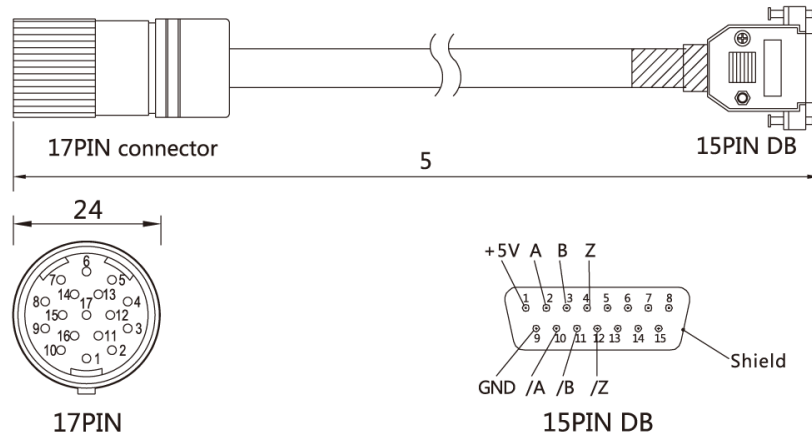
KNC-SRV-MOT-008-05-KC4		
Cable Color	Signal	PIN #
Yellow	U	PIN 2
Red	V	PIN 3
Black	W	PIN 4
Yellow-green	PE	PIN 6

Motor / Brake Cable: KNC-SRV-MOT-008-05-KC4-B for KNC-SRV-SMC130D-0150-20ABK-4LKP



KNC-SRV-MOT-008-05-KC4-B		
Cable Color	Signal	PIN #
Yellow	U	PIN 2
Red	V	PIN 3
Black	W	PIN 4
Yellow-green	PE	PIN 6
Red Thin Wire	Brake +	PIN 1
Blue Thin Wire	Brake -	PIN 5

Encoder Cable: KNC-SRV-ENCCF-05-FC0 for KNC-SRV-SMC130D-0150-20AAK-4LKP and KNC-SRV-SMC130D-0150-20ABK-4LKP



WIRING PINOUTS

KNC-SRV-ENCCF-05-FC0				
17 PIN Connector	15 PIN DB	Signal	External Wire Color	Motor Wire Color
PIN 1	PIN 1	+5V	Red (thick)	Red
PIN 3	PIN 2	A	Brown	Blue-Black
PIN 5	PIN 3	B	Yellow	Green
PIN 14	PIN 4	Z	Green	Yellow
PIN 2	PIN 9	GND	Black (thick)	Black
PIN 4	PIN 10	/A	Brown-white	Blue
PIN 6	PIN 11	/B	Yellow-white	Green-black
PIN 15	PIN 12	/Z	Green-white	Yellow-black
Other PINs Empty	Other PINs empty	n/a	n/a	n/a
Metal Coil	Shell	Shield	Shield	Shield

SPECIFICATIONS

Model	Motor Cable	Encoder Cable	Brake Cable
KNC-SRV-SMC130D-0150-20AAK-4LKP	KNC-SRV-MOT-008-05-KC4	KNC-SRV-ENCCF-05-KC0	-
KNC-SRV-SMC130D-0150-20ABK-4LKP			KNC-SRV-MOT-008-05-KC4-B

Model	KNC-SRV-SMC130D-0150-20AAK-4LKP KNC-SRV-SMC130D-0150-20ABK-4LKP		
Length of Motor	L(mm)	159 ± 1.5 220 ± 1.5 (with brake)	
Cooling Method	Totally Enclosed, Non-Ventilated		
Protection Level	IP65 for Body, Shaft Sealing IP54		
Environmental Conditions of Operation	Temperature	-20°C~40°C (Non-freezing)	
	Humidity	Below 90% RH (Non-condensing)	
	Ambient Environment	Away from active gas, combustible gas, oil drops and dust	
	Altitude	Maximum Altitude 4000m, Rated Power at 1000m or Below, Above 1000m: Decreasing 1.5% per 100m Rise	