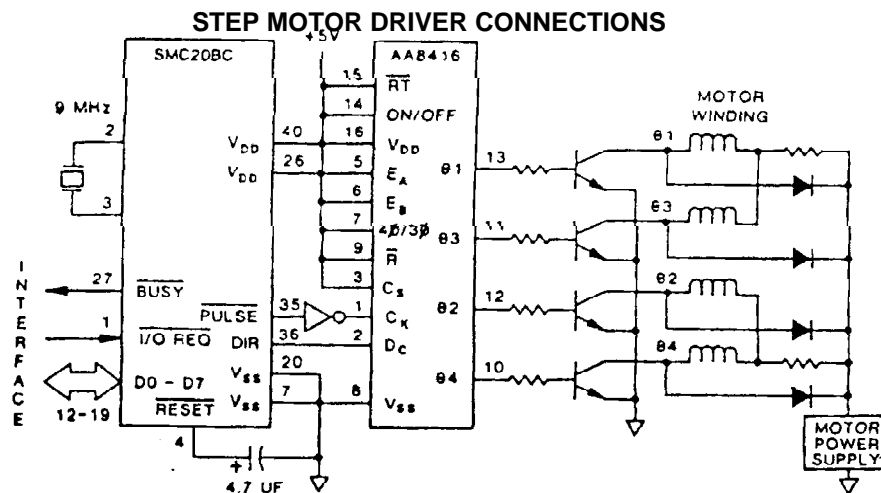
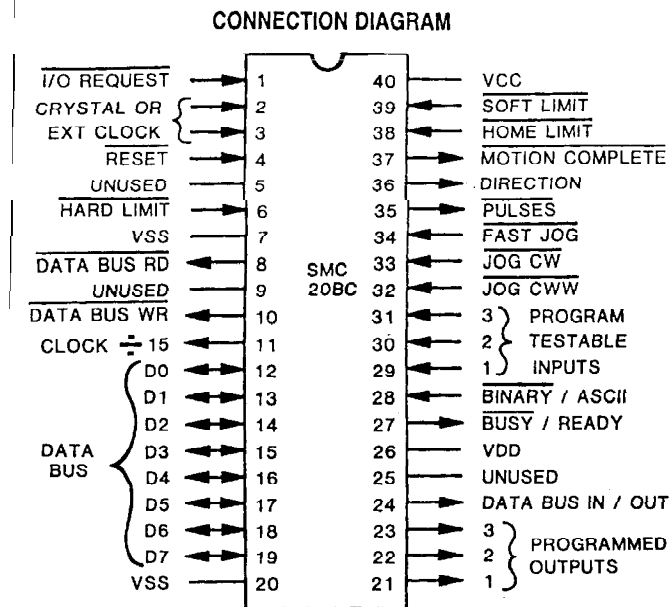


SMC20BC STEP MOTOR CONTROLLER INTEGRATED CIRCUIT

The SMC20BC is a programmable high speed step motor controller I.C. (Integrated Circuit). It outputs a pulse or train of pulses to a step motor driver along with a direction control signal. The step motor driver translates these pulses into the driving signals, and amplifies them to operate a step motor. The SMC20BC provides for programming Base, and Maximum step rates with separate Acceleration and Deceleration slopes, direction and distance to travel in either Incremental or Absolute. A 72 byte internal buffer is available for storing a command sequence for execution of routines during a machine cycle. Two dedicated homing sequences and three Inputs and three Outputs are provided to make complex operations possible. The SMC20BC controller communicates over a 8-bit data bus in either ASCII or binary formats.



910 E. Orangefair Lane
 Anaheim, CA 92801
 (714)992-6990 Fax(714)992-0471
 email: info@anaheimautomation.com

#L010096